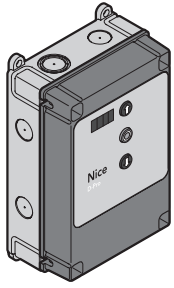


# Industrial

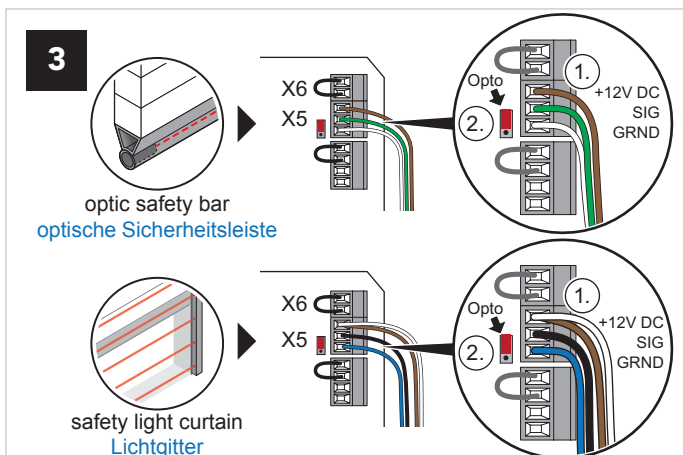
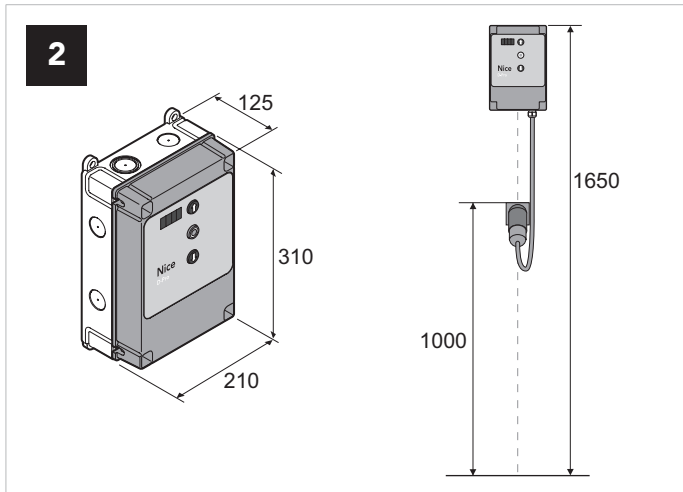
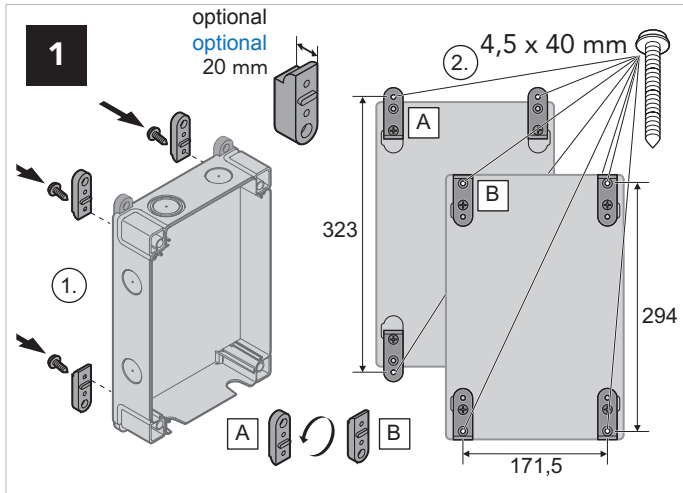
## D-Pro Automatic



Control Unit

### Quick start instructions

### Schnellstart-Anleitung



**4** Set up limits  
Endlagen einstellen

1. ON DIP 1 2 3 4 ↑

2. ↑

3. ↓

4. ON DIP 1 2 3 4 ↓ SETUP

5. ↑ 5x automatic automatisch

6. fine adjustment, if necessary  
bei Bedarf Feineinstellung

**5** Activate half dead man mode  
Semiautomatik aktivieren

1. ON DIP 1 2 3 4 ↑

2. ON DIP 1 2 3 4 ↑ P 105

3. ON DIP 1 2 3 4 ↑

4. ON DIP 1 2 3 4 ↑ 04

5. ON DIP 1 2 3 4 ↓

**6** Activate receiver function  
Funkempfang aktivieren

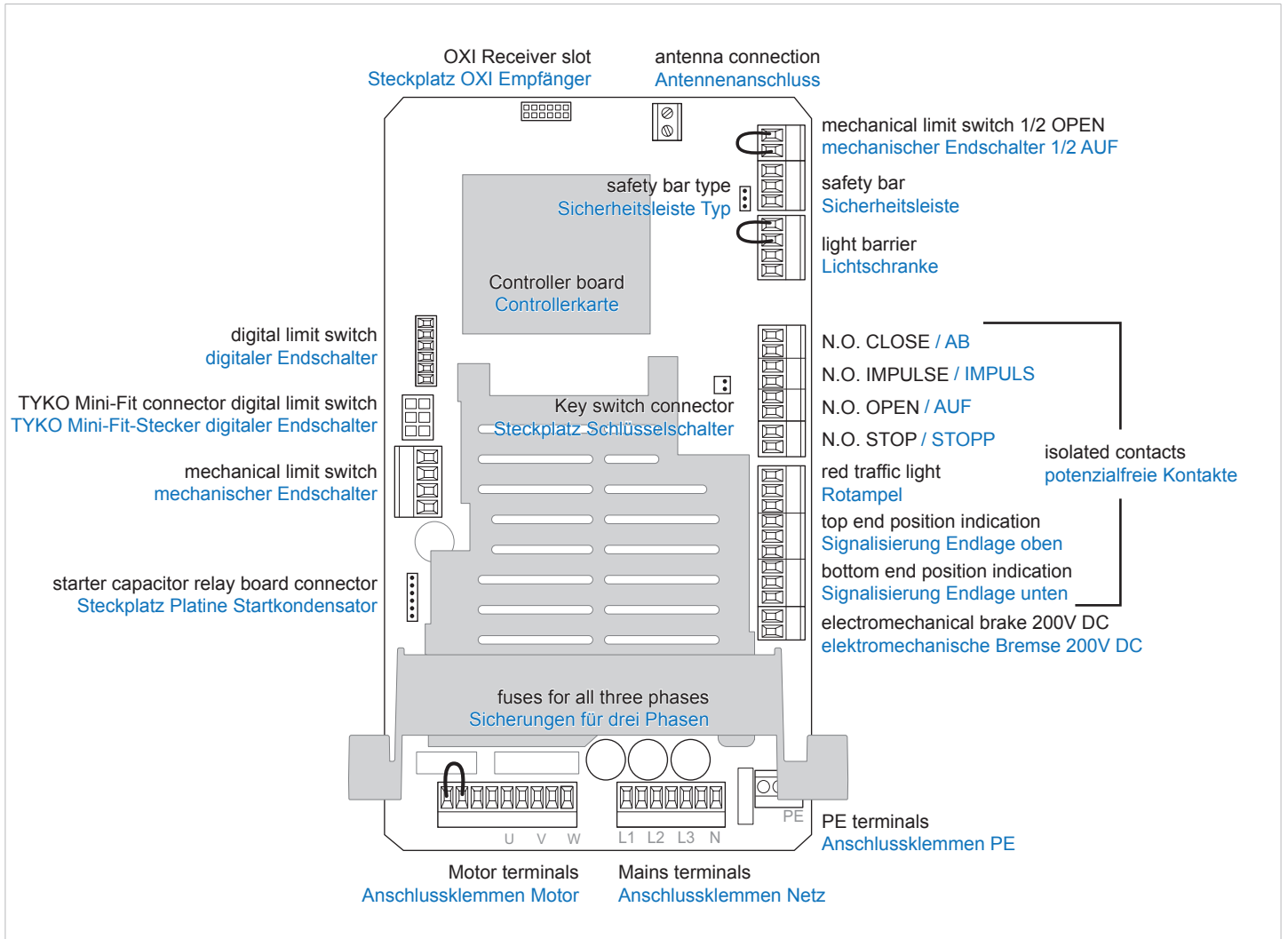
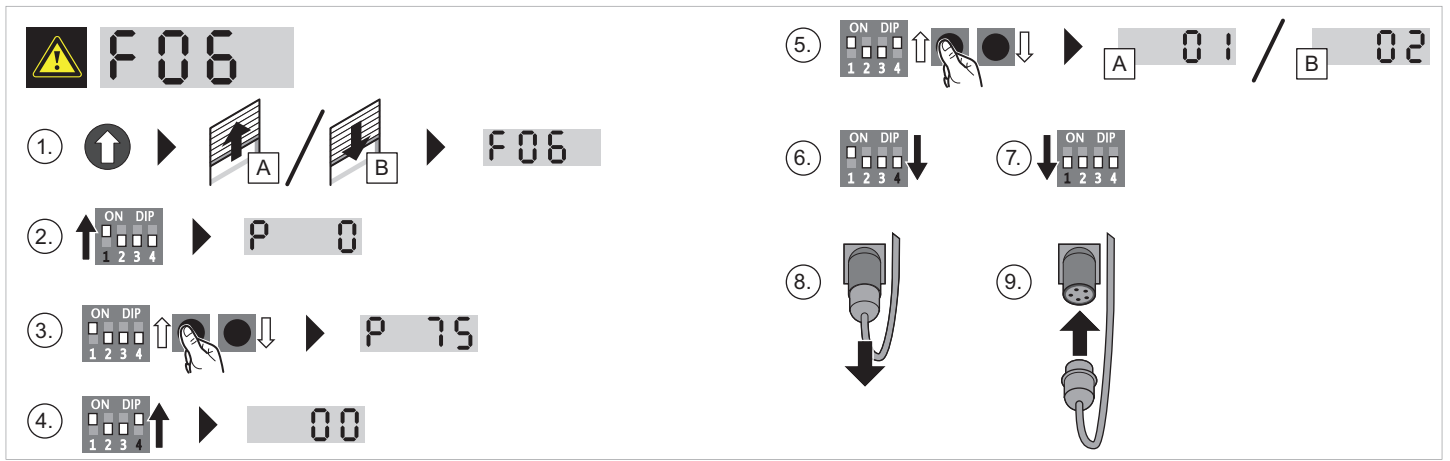
1. ON DIP 1 2 3 4 ↑

2. ON DIP 1 2 3 4 ↑ P 106

3. ON DIP 1 2 3 4 ↑

4. ON DIP 1 2 3 4 ↑ 01

5. ON DIP 1 2 3 4 ↓



Nice S.p.A.  
 Oderzo (TV)  
 Italy  
 info@niceforyou.com



Laden Sie die detaillierte Anleitung  
 herunter auf  
 Download the detailed manual on:  
[https://doc.nice-idoor.com/  
 D-Pro\\_automatic-Quick-Start/](https://doc.nice-idoor.com/D-Pro_automatic-Quick-Start/)