

NICE GIRO POWERFUL, PRACTICAL AND INNOVATIVE

ROLLING SHUTTER
AUTOMATION SYSTEMS



Nice

GIRO

230V

120V

For balanced rolling shutters.

Electromechanical gearmotor with up to 170 kg and 340 kg lifting power, reversible and irreversible versions.

High performance: new irreversible twin-motor version with 230 V power and lifting force up to 340 Nm.

Unbeatably flexible use and less inventory to keep in stock:

a single model that is designed to take a 76mm rolling shutter shaft but can be easily adapted to take a 60 or 48 mm shaft, covering the full range of most commonly used sizes.

The outside diameter of the gear can be adapted from 200 mm to 220 or 240 mm, allowing installation on most rolling shutters.

Technologically innovative: the brake is built into the gearmotor and results in much smoother operation than the traditional solution.

For all markets: 230 and 120V versions available.

QUICK AND EASY INSTALLATION

During installation, the motor is supported on the shaft thanks to the practical guided coupling.

Easy limit switch adjustment: automatic limit switch adjustment is achieved by simply operating the rolling shutter without any load, with the motor released, and then just fine-tuning the system manually.

Simple system for releasing both motors at the same time.

Recommended control units: Mindy A01 and A02.



PRACTICAL: LIMIT SWITCHES FOR BOTH CLOSING AND OPENING, EASY TO ADJUST

VERSATILE: CAN BE USED WITH 76, 60 AND 48 mm SHAFTS

STRONG: 100% ALUMINIUM HOUSING

CODE	DESCRIPTION	PACK./PALLET
GR170	230 V IRREVERSIBLE, WITH BUILT-IN BRAKE AND RELEASE DEVICE, WITH UP TO 170 Nm LIFTING POWER	44
GR170E01	230 V IRREVERSIBLE, WITH BUILT-IN BRAKE AND RELEASE DEVICE, WITH UP TO 170 Nm LIFTING POWER, POWER CABLE, 5 m LONG, INCLUDED IN BOX	44
GR170R	REVERSIBLE 230 V, WITHOUT BRAKE, LIFTING FORCE UP TO 170 Nm	44
GR170RE01	REVERSIBLE 230 V, WITHOUT BRAKE, LIFTING FORCE UP TO 170 Nm, 5 m LONG POWER CABLE INCLUDED	44
GR340E01	IRREVERSIBLE 230V, TWIN-MOTOR WITH BUILT-IN BRAKE AND RELEASE DEVICE, LIFTING FORCE UP TO 340 Nm, 5 m LONG POWER CABLE INCLUDED	44

TECHNICAL SPECIFICATIONS

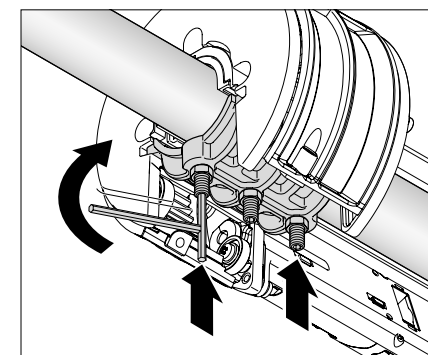
CODE	GR170 - GR170E01 GR170R - GR170RE01	GR340E01
ELECTRICAL DATA		
POWER SUPPLY (V/Hz)	230/50	
ABSORPTION (A)	1.9	3.3
POWER (W)	430	800
PERFORMANCE DATA		
SPEED (rpm)	8	
TORQUE (Nm)	170	340
CONTINUOUS OPERATING TIME (min)	4	
MAXIMUM NUMBER OF OPERATIONS PER DAY	10	
DIMENSIONAL AND GENERAL DATA		
ROLLING SHUTTER SHAFT DIAMETER	76 - 60* - 48**	
OUTSIDE DIAMETER OF THE GEAR	200 - 220* - 240**	
PROTECTION LEVEL (IP)	20	
WORKING TEMP. (°C Min/Max)	-20 ÷ +50	
DIMENSIONS (mm)	Ø 200 x 380	
WEIGHT (kg)	7	10.5

* with adapter included in box

** with additional adapter (optional extra)

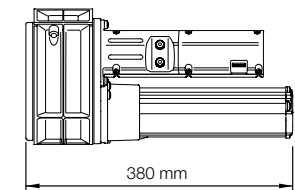
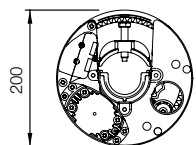


TWIN-MOTOR VERSION: MAXIMUM POWER, IDEAL FOR THE TOUGHEST APPLICATIONS.

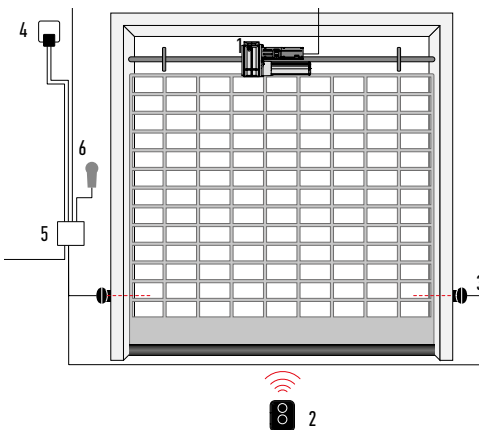


QUICK AND EASY INSTALLATION DURING INSTALLATION, THE MOTOR IS SUPPORTED ON THE SHAFT THANKS TO THE PRACTICAL GUIDED COUPLING.

DIMENSIONS



INSTALLATION DIAGRAM



1. MOTOR
2. TRANSMITTER
3. PHOTOCELLS
4. FLASHING LIGHT
5. CONTROL UNIT
6. KEY-OPERATED OR DIGITAL SELECTOR

CONTROL UNITS



A01
SEMI-AUTOMATIC 230 V CONTROL UNIT FOR GIRO WITH SINGLE OR TWIN MOTOR.
PC/PACK 1



A02
AUTOMATIC 230 V CONTROL UNIT FOR GIRO WITH SINGLE OR TWIN MOTOR.
PC/PACK 1

MECHANICAL ACCESSORIES



GRA02
ADAPTER FOR 48 mm SHAFT.
PC/PACK 1



GRA03
ADAPTER FOR 240 mm GEAR DIAMETER.
PC/PACK 1

OPTIONAL ADDITIONAL MOTOR



GRA01
ADDITIONAL MOTOR FOR GR170, COMPLETE WITH ACCESSORIES FOR SIMULTANEOUS RELEASE.
PC/PACK 1

GRA01/V1
ADDITIONAL MOTOR FOR GR170/V1, COMPLETE WITH ACCESSORIES FOR SIMULTANEOUS RELEASE.
PC/PACK 1

SELECTORS



K10 MINI
ALUMINIUM KEY SWITCH/SWITCH LOCK BOX WITH CONTROL AND RELEASE BUTTON.
PC/PACK 1



EKSEU
KEY SELECTOR ERA SERIES, EUROPEAN CYLINDER, FOR OUTDOOR INSTALLATION.
PC/PACK 1



EKSIEU
KEY SELECTOR ERA SERIES, EUROPEAN CYLINDER, FOR RECESSED MOUNTING.
PC/PACK 1



EKS
KEY SELECTOR ERA SERIES, FOR OUTDOOR INSTALLATION.
PC/PACK 1



EKSI
KEY SELECTOR ERA SERIES, FOR RECESSED MOUNTING.
PC/PACK 1



K10*
KEY SELECTOR FOR LOW-VOLTAGE CONTACTS, WITH RELEASE MECHANISM FOR METAL CABLE.
PC/PACK 1



TS
SIGNBOARD.
PC/PACK 1

* For use in conjunction with A01 and A02-series control units

NICE IS THE SIMPLEST INTEGRATION/ THE WIDEST RANGE/THE BEST CONTROL ELECTRONICS/THE FINEST DESIGN/THE MOST AMAZING AUTOMATION ALL TOGETHER!

GATE&DOOR

Systems for the automation of gates, garage doors and barriers.

SCREEN

Systems for the automation of blinds, awnings and sun screens. The easiest way to get the right light.

INDUSTRIAL DOORS

Systems for the automation of industrial applications: sectional and rolling doors, high speed doors and dock levellers.

HOME SYSTEMS

Integrated management of home alarm and automation systems.

LIGHTING

A full range of devices for total lighting control.



Nice SpA
Oderzo TV Italia
Ph. +39.0422.85.38.38
info@niceforyou.com

Find out more about Nice products and services on the website:
www.niceforyou.com



Nice cares for the environment. Using natural paper it avoids excessive use of raw materials and forest exploitation. Waste is reduced, energy is saved and climate quality is improved.

