

Nice Era ^{M SH}

compatible with the most common motor supports on the market

Nice

Era M SH

With mechanical limit switch

Tubular motor head compatible with star shaped supports



Practical pluggable power cable

Tubular motor with mechanical limit switch.

M size Ø 45 mm

Ideal for the maintenance and replacement of existing applications, thanks to the new head shape compatible with star supports.

Easy maintenance and installation, thanks to the new pull-out power cable.

Ideal for compact installations:
useful length 426 mm

Intuitive adjustment of up and down limit positions, thanks to the mechanical limit switch.

Easy to install, thanks to the new dedicated supports and click system to fasten the drive wheel.

Code	Description	Pcs./pack	Certificates
E M 817 SH	Mechanical limit switch. 8 Nm, 17 rpm, 15 kg*	1	
E M 1517 SH	Mechanical limit switch. 15 Nm, 17 rpm, 28 kg*	1	
E M 3017 SH	Mechanical limit switch. 30 Nm, 17 rpm, 56 kg*	1	

*Lifted weight, value calculated with 60 mm diameter roller.

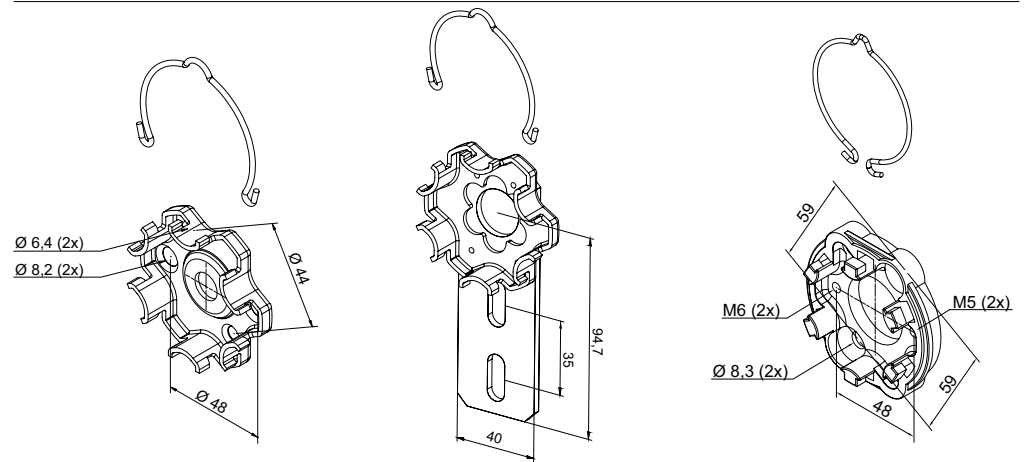
TECHNICAL SPECIFICATION

Code	E M 817 SH	E M 1517 SH	E M 3017 SH
ELECTRICAL SPECIFICATIONS			
Power supply (VAC/Hz)	230/50		
Absorption (A)	0.55	0.75	1.10
Power (W)	120	170	250
PERFORMANCE			
Torque (Nm)	8	15	30
Speed (rpm)	17		
Lifted weight* (kg)	15	28	56
Number of turns before the stop	27		
Continuous operating time (min)	4		
DIMENSIONAL DATA			
Length (L) (mm)	426	451	486
Weight of motor (kg)	1.50	1.75	2.17
Pack dimensions (mm)	90x90x440		90x90x500

Protection class IP44.

*Value calculated with 60 mm diameter roller.

NEW COMPATIBLE SUPPORTS

**535.10096**

Compact aluminium support with spring, for Era M SH.

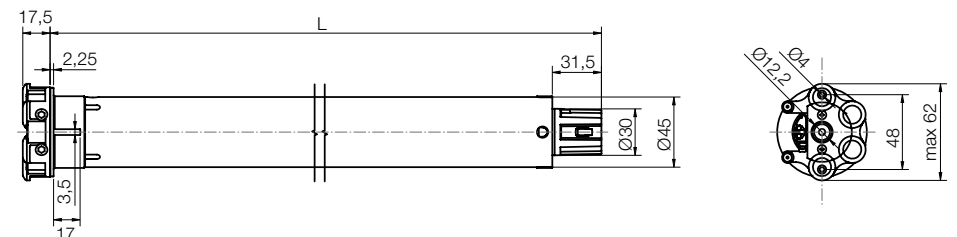
535.10097

Aluminium support with spring, for Era M SH.

535.10099

Compact aluminium support with spring, for Era M SH. Holes 48 mm apart (M6) and 4 holes 60 mm apart (M8 and Ø 8.3).

DIMENSIONS



POWER CABLE

Length 2 m, 4 wires in cable



ADAPTERS AND SUPPORTS

See the dedicated sections in the Screen catalogue

Technology as simple as a gesture



Nice, easy solutions for Home and Building.

Systems for the automation and control of gates, garage doors, blinds, shutters and alarm systems, with integrated management using smart and intuitive interfaces: practical, functional and elegant solutions to help you enjoy your living spaces to the full.

Nice

Nice SpA
Oderzo TV Italy

www.niceforyou.com



NiceLoveEarth

Nice cares for the environment.
Using natural paper it avoids excessive
use of raw materials and forest exploitation.
Waste is reduced, energy is saved and
climate quality is improved.

Our products and technologies
are protected with patents and design
trademark registrations. Any violation
of our rights will be legally prosecuted.