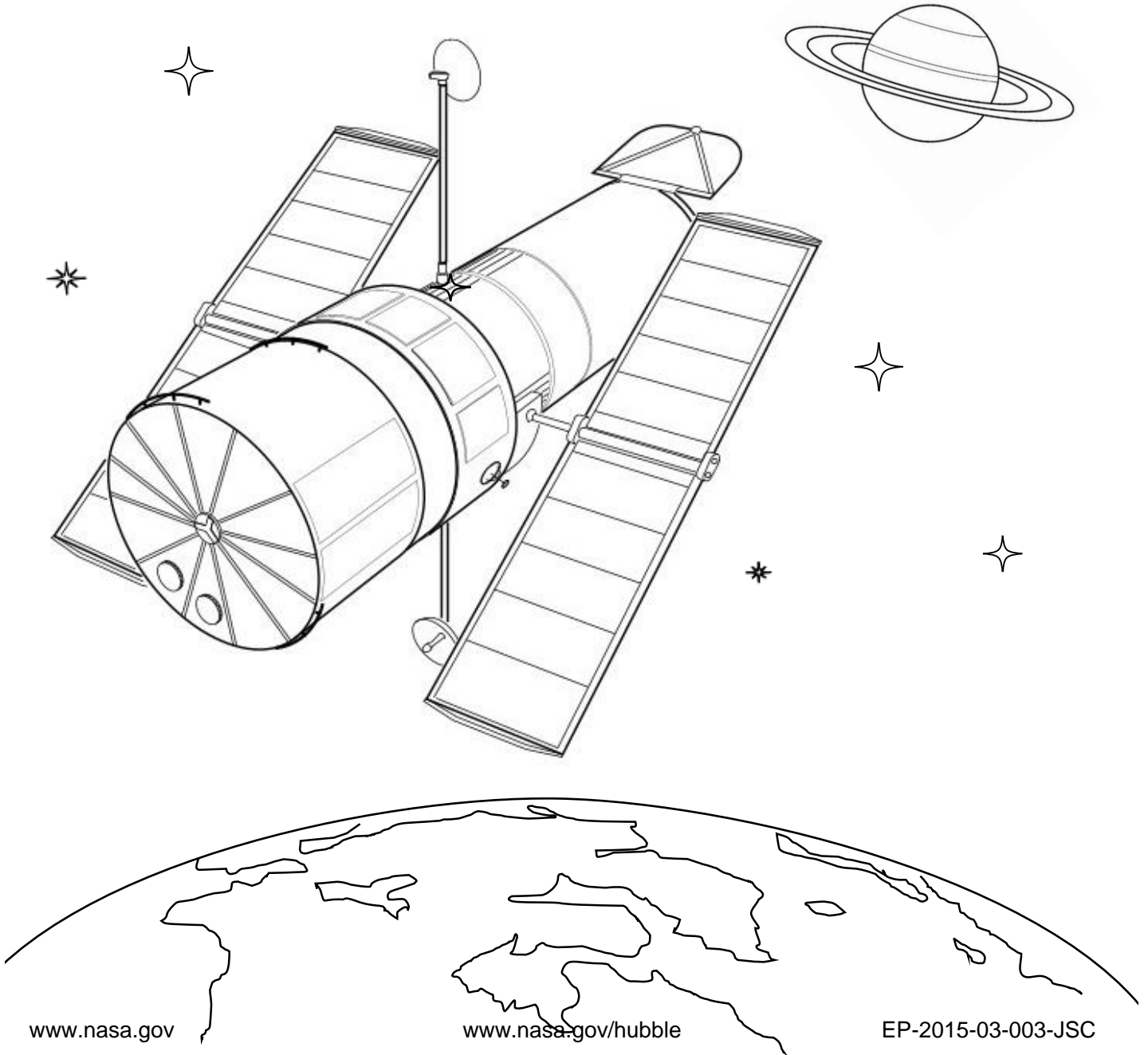


National Aeronautics and
Space Administration



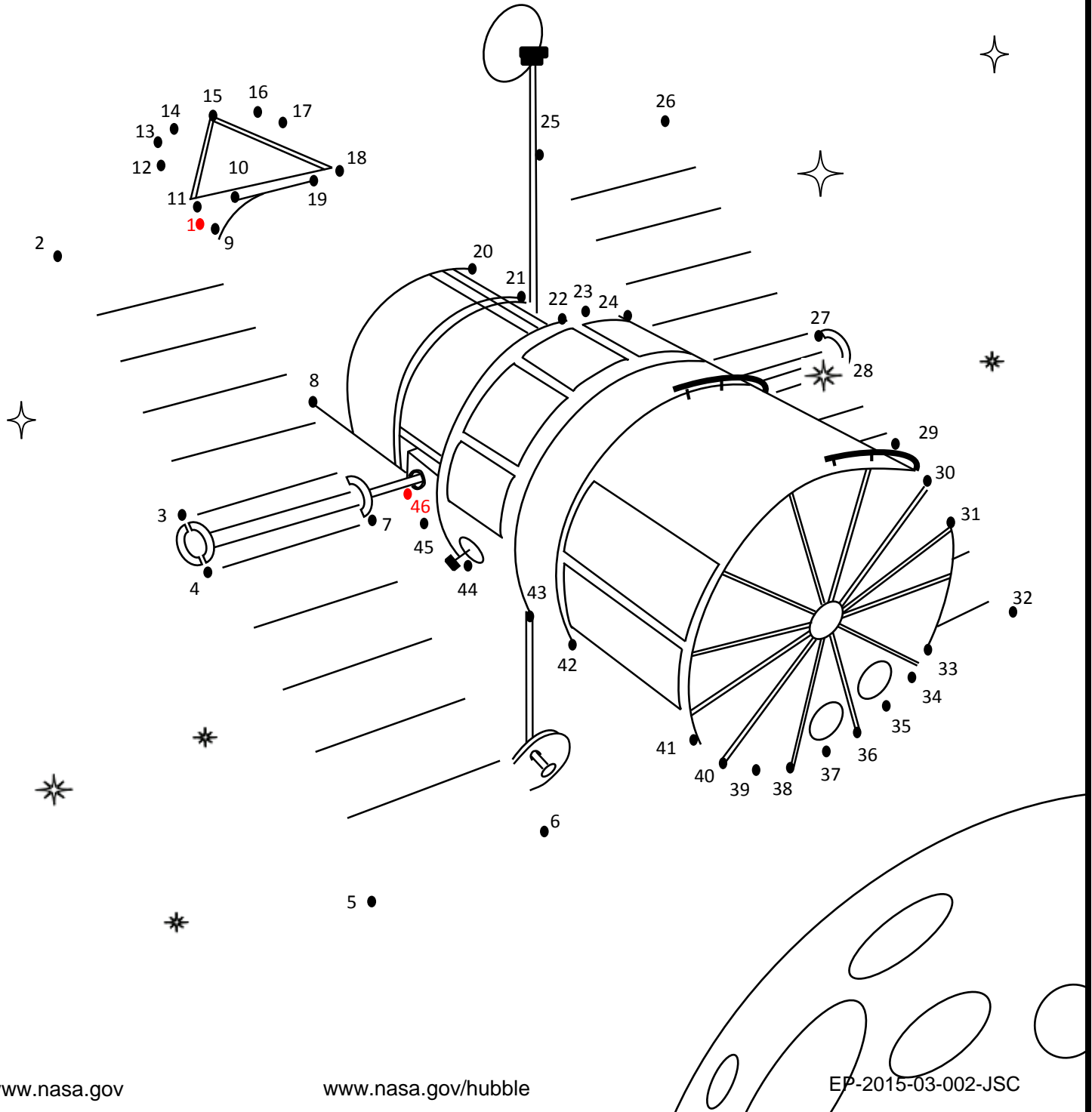
Hubble Space Telescope





Connect the Dots

Draw the Hubble Space Telescope by connecting the numbered dots.

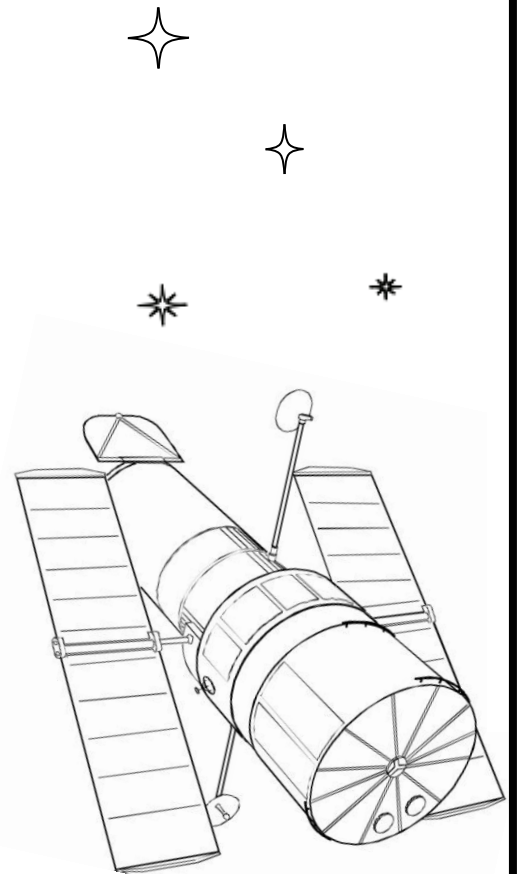




Hubble Word Find

- | | | |
|---------------|-------------|-------------|
| ANTENNA | GALAXY | OPTICAL |
| APERTURE | GYRO | ORBIT |
| ASTRONOMY | HUBBLE | SOLAR ARRAY |
| ATMOSPHERE | INFRARED | STARS |
| CAMERA | MIRROR | TELESCOPE |
| CONSTELLATION | NEBULA | ULTRAVIOLET |
| COSMIC | OBSERVATORY | UNIVERSE |

K R U T U Y Q D E A A N F P F
N U A E E N K K T C L O G U A
A J V L V L I M X A U I C V P
U M Z B O P O V Z M B T E B X
A I Z B L S P I E E E A P N V
C R N U P A H C V R N L O O U
X R A H A Z S W U A S L C R C
L O E N Y R O T A V R E S B O
Q R G I N F R A R E D T E I S
E Y D N R E I A H O A S L T M
Z G Y A P D T C Y R N N E U I
G A L A X Y B N S R P O T V C
Q Q P O P T I C A L J C M V A
Z U U K B F Y B Y X W L Q Y Y
A P U X F G I V T W Z Q N C V





Hubble Word Jumble

AYRTSOMON A T M

YXAAGL G A

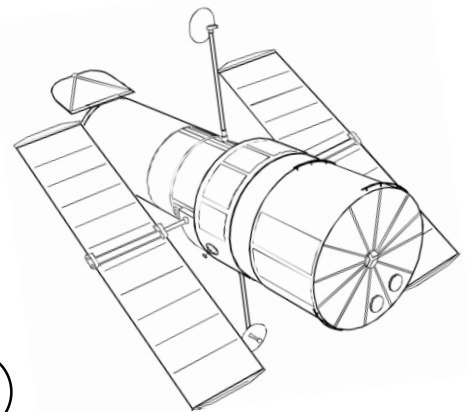
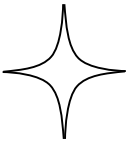
TREHA E T

VAWELGETHN W V G

SOPGEYCRO R S E

RISMRRRO I R S

LKBAC LEOH L K O



Arrange the circled letters to form the name of the galaxy Earth calls home.

○ ○ ○ ○ ○ ○ ○ ○





Hubble Decoder

Decode to discover more about the Hubble Space Telescope!

A	B	C	D	E	F	G	H	I	J	K	L	M	N	O	P	Q	R	S	T	U	V	W	X	Y	Z
26	25	24	23	22	21	20	19	18	17	16	15	14	13	12	11	10	9	8	7	6	5	4	3	2	1

Two $\frac{8}{8} \frac{12}{12} \frac{15}{15} \frac{26}{26} \frac{9}{9} \frac{26}{26} \frac{9}{9} \frac{9}{9} \frac{26}{26} \frac{2}{2}$ panels convert sunlight into electricity in order to power the telescope.

The $\frac{26}{26} \frac{11}{11} \frac{22}{22} \frac{9}{9} \frac{7}{7} \frac{6}{6} \frac{9}{9} \frac{22}{22}$ protects Hubble's optics from the sun's brightness.

Hubble is protected from the harshness of space by an outer $\frac{7}{7} \frac{19}{19} \frac{22}{22} \frac{9}{9} \frac{14}{14} \frac{26}{26} \frac{15}{15} \frac{25}{25} \frac{15}{15} \frac{26}{26} \frac{13}{13} \frac{16}{16} \frac{22}{22} \frac{7}{7}$ layer.

Hubble uses two $\frac{14}{14} \frac{18}{18} \frac{9}{9} \frac{9}{9} \frac{12}{12} \frac{9}{9} \frac{8}{8}$ in order to focus its gaze on the universe.

$\frac{21}{21} \frac{18}{18} \frac{13}{13} \frac{22}{22} \frac{20}{20} \frac{6}{6} \frac{18}{18} \frac{23}{23} \frac{26}{26} \frac{13}{13} \frac{24}{24} \frac{22}{22}$ sensors are used to keep Hubble precisely locked on its target.

Hubble's position and movement are managed by $\frac{20}{20} \frac{2}{2} \frac{9}{9} \frac{12}{12} \frac{8}{8} \frac{24}{24} \frac{12}{12} \frac{11}{11} \frac{22}{22} \frac{8}{8}$ and $\frac{9}{9} \frac{26}{26} \frac{7}{7} \frac{22}{22} \frac{8}{8} \frac{22}{22} \frac{13}{13} \frac{8}{8} \frac{12}{12} \frac{9}{9} \frac{8}{8}$.

Hubble has beamed hundreds of thousands of images back to Earth using its two $\frac{26}{26} \frac{13}{13} \frac{7}{7} \frac{22}{22} \frac{13}{13} \frac{13}{13} \frac{26}{26} \frac{8}{8}$.

