

Quick start guide

SJ10
water-resistance series

Congratulations on

You new **SJCAM**

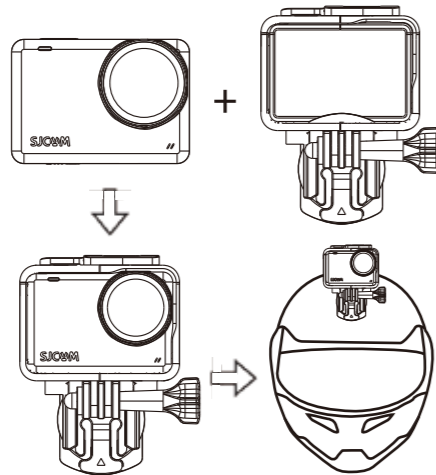
This Quick Start Guide will introduce you to the basics of your SJCAM camera.



Download the detailed version of this manual by going to SUPPORT.SJCAM.COM or scan the QR code.

MOUNTING ON A HELMET

Use the special curbed -mount found in the box. You may mount the camera onto any surface that is not porous.



We know you're excited to use your new SJ10 water-resistance series Action Camera, please take time to read this Quick Start Guide before doing anything with it. There's plenty you can do, so you need to familiarize yourself with the features now to get the most out of it.

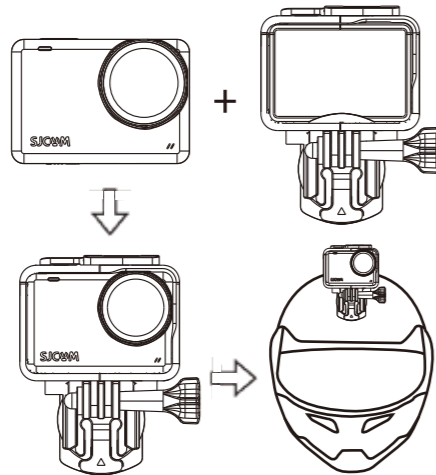
1. This is a high-precision product. Do not drop, electric motors, magnets and machinery that use strong radio waves.
2. Do not expose the unit to strong magnetic fields, such as and optics can be damaged under prolonged exposure to heat.
3. Never leave the unit in high-temperature areas. Electronics and all doors are properly closed before submerging in water.
4. Although this model is waterproof without needing an additional housing, it is important to check that all seals are intact and all doors are properly closed before submerging in any sharp metals and moisture.
5. Always store extra batteries in a compartment away from the camera in water.
6. Avoid extended periods of battery charging. Keep it away from children and pets while charging to avoid accidents.

Do not dispose the camera or its battery in the garbage bin, find the nearest recycling facility for it.

USER MANUAL

MOUNTING ON A HELMET

Use the special curbed -mount found in the box. You may mount the camera onto any surface that is not porous.



THE MODES SCREENS

Video Mode for recording videos	VideoLapse Timelapse photographs stitched on-camto output a video file	Slow Motion For recording video in slow motion
Photo Still photograph mode	PhotoLapse A series of still photos for creating timelapse	Burst Mode Fast multiple succession of snapshots
Video/photo Videolapse- Timelapse takes photos and stitches them together	Car Mode Automatically begins recording once the engine is started	

BASIC OPERATION

- 1 Hold down the shutter to turn camera on. Release when logo shows.
- 2 Choose desired mode on touchscreen.
- 3 Press the shutter to take photos, or to start and stop video recording.

SCREEN SETTINGS



Scroll up for more options



You can switch to Text-Mode Menu by going to General Settings, then select "Classic" in the user interface options.

REPLACING THE BATTERY

- 1 Gently press the clip at the bottom of the camera and push it toward the side
- 2 Open the bottom cover
- 3 Replace the battery

DOWNLOAD APP



Download the App



iOS



Android

Inserting a MicroSD card

- 1 Gently press the clip on the left side of the camera and push it down
- 2 Push the clip on the left side of the camera and push it down
- 3 Insert memory card Minimum card requirements.

CONNECT TO SJCAM APP

- 1 Enable Wifi on the camera by swiping down on the Main Screen, then tap Wifi.
- 2 Start the SJCAM Zone APP on your phone and register or log into it.
- 3 On your phone, go to Wifi settings and connect to the camera's WiFi (password: 12345678).
- 4 Return to the App and press the "Connect to Camera" button.



INSERTING A USB-CABLE

- 1 Gently press the clip on the left side of the camera and push it down
- 2 Insert USB-C cable and connect to charger or computer, etc.

Remote pairing

- 1 Power on camera, slide the screen down and click the remote control to start pairing.
- 2 According to the operating instructions (click two buttons at the same time), you can pair the remote control with the camera.



Shenzhen Zhencheng Technology Co., Ltd
3/F Building C, NO.2 Road 1, Shangxue Industrial Area
Bantian, Longgang District, Shenzhen, China
Made in China

恭喜
您購得 **SJCAM**

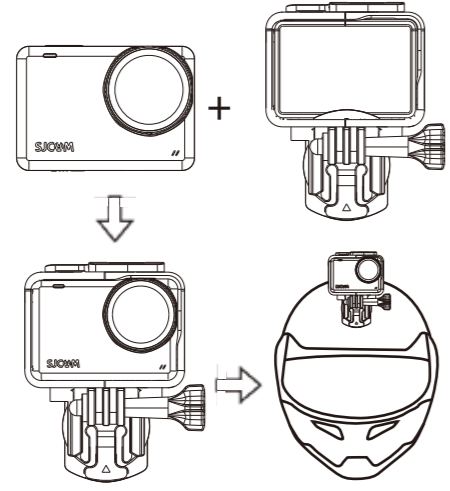
本《快速入門指南》將向您介紹 SJCAM 運動相機的基礎知識，以便您抓住生活中的精彩瞬間。



訪問 SUPPORT.SJCAM.COM 或掃描左側二維碼 下載官方PDF版詳細使用說明書
SJCAM.COM

安裝到頭盔

使用專用的曲底及平底粘附固定底座和五金配件，將SJCAM安裝在安全帽或其他設備等物品上



用戶指南

SJ10 系列防水系列相機是根據市場需求以及發展趨勢而設計的，擁有各式各樣的功能，包括高清數字視頻拍攝、音頻錄制、相片拍攝以及 WiFi 無線遙控等。可拆卸的電池，防水外殼及其他所有配件，使相機能隨時隨地被完美地應用於各種戶外運動，摩托車騎行或行車記錄。

在首次使用相機之前，請仔細閱讀使用說明書。

安全指南

1. 本產品為高精度儀器，切勿跌落或碰撞。
2. 切勿將本產品靠近具有強磁場的物體，例如磁鐵或電機，亦要避免將本產品靠近於能發出較強無線電波的物體，以避免強磁場及無線電波可能會引起的產品故障或圖像 / 音頻的損壞。
3. 切勿將本產品暴露於高溫或陽光直射的環境下。
4. 請選擇正規品牌的 microSD 卡，非正規品牌的卡不能保證可正常使用。
5. 切勿將 microSD 卡靠近具有強磁場的物體，以免卡內儲存的數據丟失。
6. 如在充電過程中出現產品過熱、冒煙或產生異味，請立即拔出充電裝置。
7. 充電時，請將本產品放置於兒童無法接觸到的地方，以避免因電源線導致的兒童意外窒息或觸電。
8. 請將本產品放置於陰涼、乾燥且絕塵的地方。

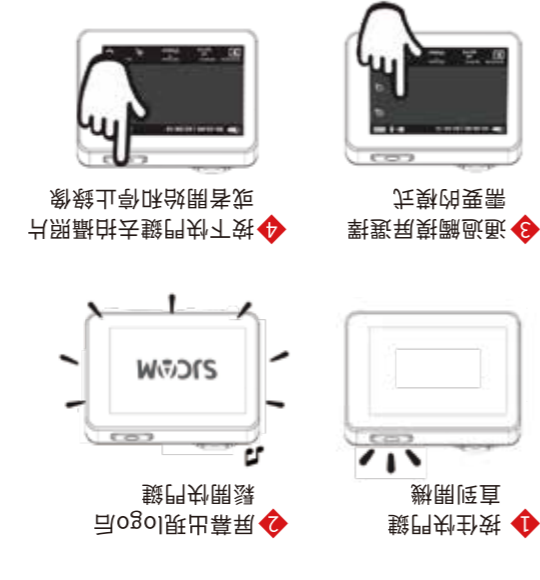
請選擇正式回收點回收本產品或其電池，切勿棄置於垃圾當中。



模式屏幕



基礎操作



屏幕設置

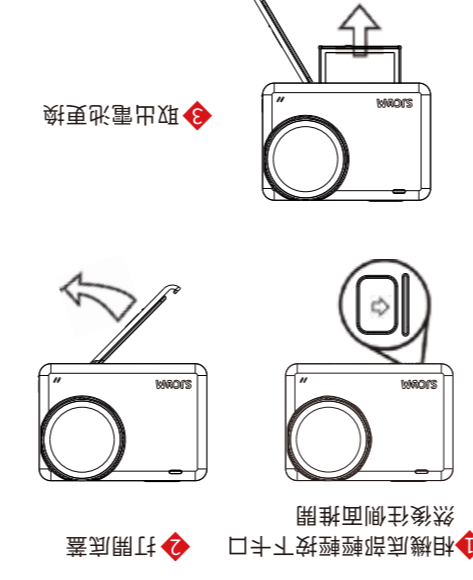


向上滾動以獲取更多選項



您可以轉到常規設置并在用戶界面選項中選擇“經典”，切換到純文本菜單。

更換電池



下載APP



掃描下測二維碼下載APP



iOS

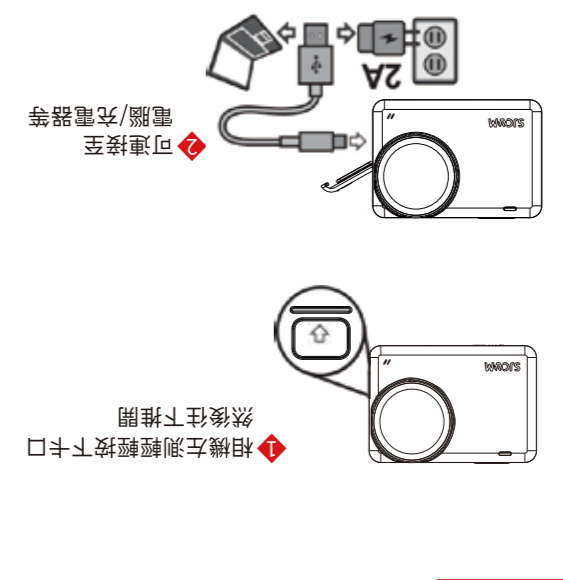
Android

連接至 SJCAM APP

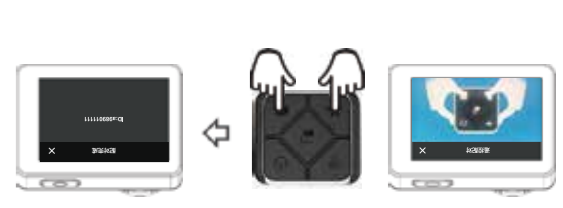
1. 通過向下滑動主屏幕啓用相機上的Wifi，然後點擊Wifi。
2. 在手機上啓動SJCAM Zone APP并注冊或登錄。
3. 在手機上，轉到Wifi設置并連接到相機的Wifi。(密碼：12345678)。
4. 返回應用程序并按“連接到相機”按鈕。



接入數據線



遙控配對



深圳市臻呈科技有限公司
深圳市龍崗區坂田街道上雪工業區1路2號C棟3樓
中國製造

