

**SJCAM**

EMPOWER YOUR DREAMS

Hunting Camera M50 | SJCAM 打猎摄像机



# Hunting Camera user manual

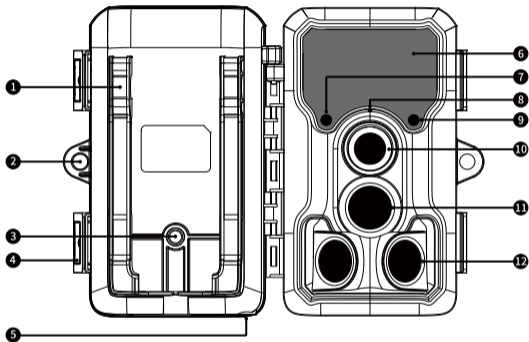
Please take time to read this user manual before using this camera first time.  
Caution!!

1. This is a high-precision product. Do not drop.
2. Do not expose the unit to strong magnetic fields, such as electric motors, magnets and machinery that use strong radio waves.
3. Never leave the unit in high-temperature areas. Electronics and optics can be damaged under prolonged exposure to heat.
4. Please choose a regular brand TF card. The normal use of an informal brand card cannot be guaranteed.
5. Do not bring the TF card close to objects with strong magnetic fields to avoid losing the data stored in the card.
6. This product can use dry batteries or rechargeable batteries. Please confirm the positive and negative poles of the battery. Do not disassemble or burn the battery. Do not mix with old batteries or different types of batteries to avoid battery leakage or explosion.
7. Please place this product in a cool, dry and dust-free place.

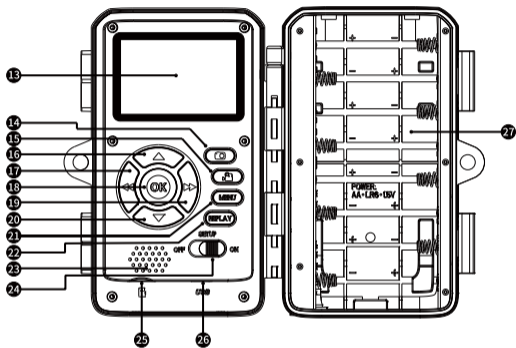
Please choose an official collection point to recycle this product or its battery, and do not dispose of it in the trash.



## Product brief introduction

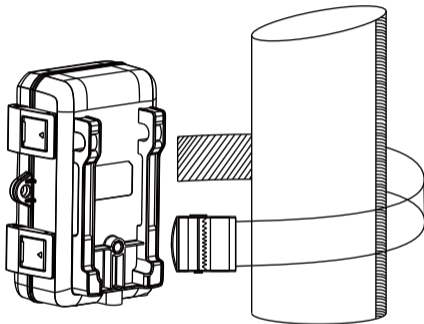


1. Lanyard hole    2. Key hole    3. 1/4 nut    4. Locking machine buckle  
5. Power supply port    6. Infrared light    7. Photosensitive    8. microphone  
9. LED Indicator    10. webcam    11. (main)sensor    12. (sub) sensor



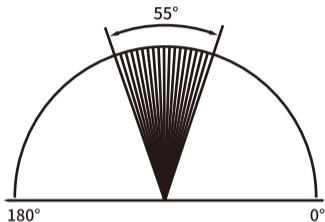
- |                                    |                    |                  |                 |
|------------------------------------|--------------------|------------------|-----------------|
| 13. Screen                         | 14. Photo Button   | 15. Video button | 16. Up button   |
| 17. left button                    | 18. Ok button      | 19. Right button | 20. Down button |
| 21. Menu button                    | 22. Reply button   | 23. Speaker      |                 |
| 24. Toggle Switches (OFF/SETUP/ON) | 25. TF card socket | 26. USB port     |                 |
|                                    |                    | 27. Battery area |                 |

## Camera installation diagram



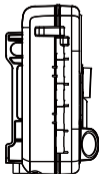
Fix the camera to the object with a strap

## Diagram of camera sensing angle



The camera sensing Angle is 55°

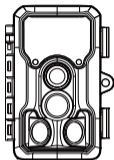
## Diagram of camera sensing distance



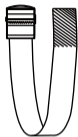
It's about 12 meters away



## Packing list



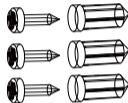
Hunting Camera X1



Strap X1



Holder X1



Expansion screw X3



Remote control X1



USB charging cable X1



User manual X1

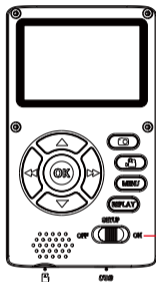
## Main chip

Main chip :	NT96658
Sensor :	GC4653
Lens Angle :	60°
Aperture :	1.6
Pixel :	24M
Screen :	2.33 inches
Wifi :	2.4GHz
Remote control :	Yes
Infrared light :	38 pcs
PIR sensing angle :	55°
Heat sensitivity distance :	12M
Coded format :	H.264
Video format :	MP4
Photo format :	JPG
Video resolution :	1296P (1728*1296) 30FPS 1080P (1920*1080) 30FPS 720P (1280*720) 30FPS 480P (848*480) 30FPS 360P (640*360) 30FPS

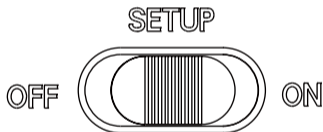


Photo resolution :	24M (6544*3680) 20M (5888*3312) 16M (5376*3024) 12M (4608*2592) 8M (3840*2160) 5M (2960*1664) 3M (2400*1344) 2M (1920*1088)
Language :	English/French/Spanish/Portuguese/ German/Italian/Simplified Chinese/Turkish Traditional Chinese/Russian/Japanese
Microphone :	Built-in
Speaker :	Built-in
USB port :	TYPE_C
Waterproof :	IP65
Dimension :	134*96*74mm
Battery :	AA battery 8 pcs
Working temperature :	-10°C~50°C
Storage :	Plug-in type TF card above Class 10 supports up to 128GB

## Switch manual

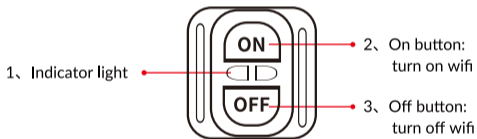


- 1、 OFF/turn off
- 2、 SETUP/Setup/manual shooting/playback
- 3、 ON/Power on/automatic shooting



Note: You need to manually set the toggle switch when the camera needs to enter automatic work after setting Toggle to the ON position, the camera can enter the automatic working state. If the camera swing switch In the SETUP gear, it cannot enter the automatic working state.

## The Instructions of Remote Control



## Application download

Scan the following QR code to install the "Catch Cam" app



# WIFI

## **Camera wifi turn on/off**

Move the toggle switch to the SETUP position. After the camera is turned on, press the up button once and the WIFI will be turned on. After WIFI is turned on, the WIFI name and WIFI password will be displayed on the camera screen. The phone can be based on the camera WIFI name and WIFI password displayed on the screen to connect the camera WIFI. To turn off WIFI, press the up button again and WIFI will turn off.

## **Remote control to turn on/off WIFI**

When the camera swing switch is in the SETUP gear or the ON gear, the remote control can be used to quickly turn on the WIFI.

Press the ON button on the remote control to turn on the WIFI. If you need to turn off the WIFI, press the OFF button on the remote control and the camera WIFI will be shut down.

**Note:** After the WIFI is turned on, the WIFI name and WIFI password will be displayed on the camera screen.

WIFI name: M50-XXXXXXXXXXXX

WIFI initial password: 12345678

# User manual

## **Automatically photo**

The camera toggle switch is manually moved to the ON position. When an animal passes by the front of the camera, the camera will automatically take a snapshot

## **Automatic recording**

The camera toggle switch is manually moved to the SETUP position, after the camera is turned on, press the MENU button, the camera can enter the general setting interface. Select the shooting mode by pressing the down button or up button, and press the OK button to enter the shooting mode setting, and then press the down button to select the recording menu, and then press the OK button to confirm. After confirming the menu, press the MENU button to exit the menu setting, and then turn the toggle switch to the ON position.

**After completing the above settings, when an animal passes by the front of the camera, the camera will automatically record.**

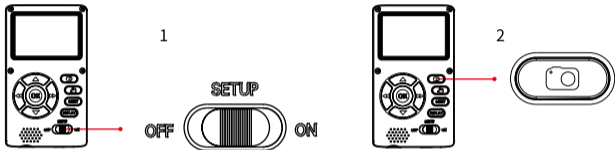
## **Automatic photo + video function**

The camera toggle switch is manually moved to the SETUP position, after the camera is turned on, press the MENU button again, the camera enters the general setting interface. Select the shooting mode by pressing the down key or up key, press the OK key to enter the photo + video setting, and then the down key to select the photo + video menu, and press the OK key to confirm. After confirming the menu, press the MENU button to exit the menu setting, and then manually turn the toggle switch to the ON position

**After completing the above setting operations, when an animal passes by the front of the camera, the camera will automatically photo + video.**

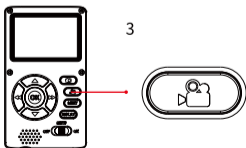
### Manually take photos

The camera toggle switch is manually moved to the SETUP position (as the picture shows 1), after the camera is turned on, press the camera button (as the picture shows 2) to enter the camera preview interface; press the camera button again and the camera will take a photo.



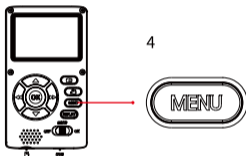
### Manually recording

The camera toggle switch is manually moved to the SETUP position (as the picture shows 1), after the camera is turned on, press the record button (as the picture shows 3) to enter the video preview interface; press the record button again and the camera will start recording.



## Manually recording

Move the toggle switch to the SETUP position (as the picture shows 1), after the camera is turned on, press the MENU button again (as the picture shows 4), the camera enters the general setting interface. Select the menu to be set by pressing the down button or up button, and press the OK button to enter the setting and confirm the setting. After the setting is completed, press the MENU button to exit.



## General settings menu

mode:	Photo / Video / Photo + Video
PIR interval:	00 minutes 05 seconds ~ 59 minutes 59 seconds
Side PIR settings:	Off / on
PIR sensitivity:	High/Medium/Low
Time-lapse shooting:	05S~23H59M59S
IR LED:	Automatic/best/economy
Monitoring period:	Off / on





## Photo settings

Move the toggle switch to the SETUP position (as the picture shows 1), after the camera is turned on, press the MENU button again (as the picture shows 4), and switch to the photo setting interface by pressing the left or right button. Select the menu to be set by pressing the down button or up button, and press the OK button to enter the setting to confirm the setting. After the setting is completed, press the MENU button to exit.

## Photo setting menu

Photo resolution: 24M / 20M / 16M / 12M / 8M / 5M / 3M / 2M  
Number of shots: 1 / 2 / 3 / 4 / 5 / 6 / 7 / 8 / 9 / 10 sheets  
Shutter speed: 1 / 15 , 1 / 20 , 1 / 30



## Recording settings

Move the toggle switch to the SETUP position (as the picture shows 1), press the MENU button (as the picture shows 4) after the camera is turned on, and switch to the recording setting interface by pressing the left or right button. Select the menu to be set by pressing the down button or up button, and press the OK button to enter the setting to confirm the setting. After the setting is completed, press the MENU button to exit.

## Recording setting menu

Recording resolution: 1296P / 1080P / 720P / 480P / 360P  
Recording time: 5 ~180 seconds  
Recording audio: Off / on



## System settings

Move the toggle switch to the SETUP position (as picture shows 1), press the MENU button (as the picture show 4) after the camera is turned on, and switch to the system setting interface by pressing the left or right button. Select the menu to be set by pressing the down button or up button, and press the OK button to enter the setting and confirm the setting. After the setting is completed, press the MENU button to exit.



## System setting menu

Language settings:	English / French / Spanish / Portuguese / German / Italian / Simplified Chinese / Traditional Chinese / Russian / Japanese
Default setting:	cancel / confirm
Format:	cancel / confirm
Date/Time:	YY / MM / DD, MM / DD / YY, DD / MM / YY
Time format:	12H / 24H
Date label:	Off / on
Button sound:	Off / on
Camera name:	A~Z, a~z, 0~9 (support capital letters A~Z, small letters a~z, numbers 0~9)
Password setting:	Off / on (support small letters a~z, numbers 0~9)
Remote control:	Off / on
WIFI name:	Off / on (support capital letters A~Z, small letters a~z, numbers 0~9)

WIFI password:

Support capital letters A~Z, small letters a~z, numbers 0~9  
(WIFI default password: 12345678)

Turn off WIFI automatically:

1 minute / 2 minutes / 3 minutes

Backlight:

Off / 1 minute / 3 minutes / 5 minutes

## Playback

Move the toggle switch to the SETUP position (as the picture shows 1), and press the REPLAY button (as the picture shows 5) after the camera is turned on. After entering the playback interface, you can scroll through the up or down button to view files. View the video file by pressing the OK button to play and stop playing. After viewing the file, press the REPLAY button to exit the playback function.



5



# FAQ

1) The camera cannot be turned on.

It may be that the battery is dead. Replace with a new battery.

2) The camera cannot automatically take photos/videos

Check whether the toggle switch is in the ON position. The toggle switch needs to be in the ON position for the camera to take pictures/videos automatically.

3) How many states does the camera indicator have?

The red indicator light flashes: the sub-sensor has sensed an object.

The blue indicator light flashes: the main sensor senses an object.

Pink indicator light flashes: the main/sub sensor detects an object.

4) The screen displays "PIR:0-1" and "PIR:1-1"?

PIR: 0-1 The sub- sensor senses an object.

PIR: 1-1 The main/sub-sensor senses an object.

**Product features may change with product upgrades or updates, please refer to the actual product specifications.**

If you need after-sales service, please contact SJCAM customer service

Technical support email: [support@sjcam.com](mailto:support@sjcam.com)

Welcome to SJCAM after-sales service web page [WWW.SJCAM.CN](http://WWW.SJCAM.CN)

Manufacturer: Shenzhen Zhencheng Technology Co., Ltd.



# 用户指南

首次使用摄像机之前，请仔细阅读使用指南。

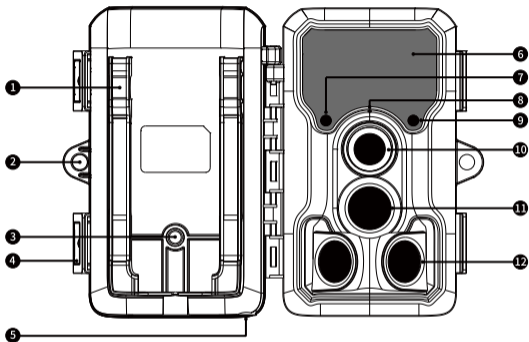
## 安全指南

1. 本产品为高精密仪器，切勿跌落或碰撞。
2. 切勿将本产品靠近具有强磁场的物体，例如磁铁或电机，亦要避免将本产品靠近于能发出较强无线电波的物体，以避免强磁场及无线电波可能会引起的产品故障或图像/音频的损坏。
3. 切勿将本产品长时间暴露于高温或阳光直射的环境下。
4. 请选择正规品牌的TF卡，非正规品牌的卡不能保证可正常使用。
5. 切勿将TF卡靠近具有强磁场的物体，以免卡内储存的数据丢失。
6. 本产品可使用干电池或可充电电池，请确认电池正负极，请勿将电池拆开、火烧，勿与旧电池或不同种类电池混用，以免造成电池漏液或爆炸。
7. 请将本产品放置于阴凉、干燥且绝尘的地方。

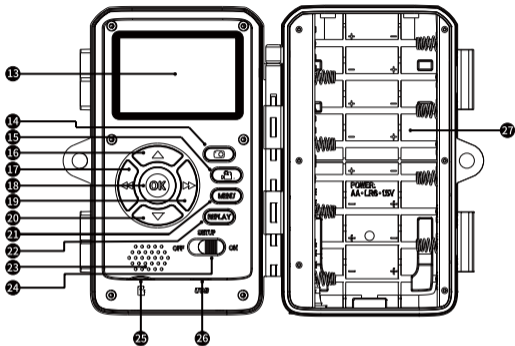
请选择正式回收点回收本产品或其电池，切勿弃置于垃圾当中。



## 产品简介



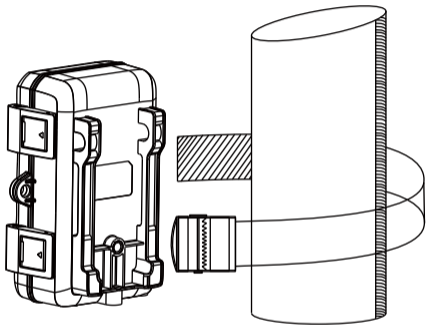
- |             |             |           |        |         |
|-------------|-------------|-----------|--------|---------|
| 1. 挂绳口      | 2. 锁孔       | 3. 1/4 螺母 | 4. 锁机扣 | 5. 供电口  |
| 6. 红外灯      | 7. 光敏       | 8. 麦克风    | 9. 指示灯 | 10. 摄像头 |
| 11. (主) 感应器 | 12. (副) 感应器 |           |        |         |



- |          |                         |         |           |             |
|----------|-------------------------|---------|-----------|-------------|
| 13. 屏幕   | 14. 拍照键                 | 15. 录影键 | 16. 向上键   | 17. 左键      |
| 18. OK键  | 19. 右键                  | 20. 向下键 | 21. MENU键 | 22. REPLAY键 |
| 23. 喇叭   | 24. 拨动开关 (OFF/SETUP/ON) |         | 25. TF卡插口 |             |
| 26. USB口 | 27. 电池仓                 |         |           |             |

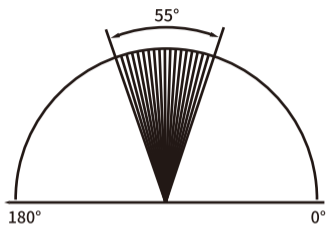


## 摄像机安装示意图



用绑带把摄像机固定在物体上

## 摄像机感应角度示意图

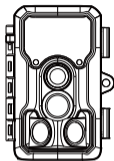


摄像机感应角度为  $55^\circ$

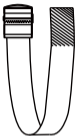
## 摄像机感应距离示意图



## 包装清单



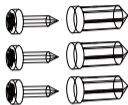
打猎摄像机 X1



绑带 X1



支架 X1



膨胀螺丝 X3



遥控器×1



USB线×1



说明书×1

## 参数

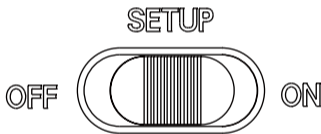
主芯片:	NT96658
传感器:	GC4653
镜头视角:	60°
光圈:	1.6
像素:	2400万
屏幕:	2.33英寸
WIFI:	2.4GHz
遥控器:	支持
红外灯:	38颗
PIR感应角度:	55°
热感应距离:	12米
编码格式:	H.264
视频格式:	MP4
图片格式:	JPG
录像分辨率:	1296P (1728*1296) 30FPS 1080P (1920*1080) 30FPS 720P (1280*720) 30FPS 480P (848*480) 30FPS 360P (640*360) 30FPS

拍照分辨率:	24M (6544*3680) 20M (5888*3312) 16M (5376*3024) 12M (4608*2592) 8M (3840*2160) 5M (2960*1664) 3M (2400*1344) 2M (1920*1088)
语言:	英语/法语/西班牙语/葡萄牙语/ 德语/意大利语/简体中文 /土耳其语 /繁体中文/俄语/日本语
麦克风:	内置
扬声器:	内置
USB接口:	TYPE_C
防水:	IP65
设备尺寸:	134*90*74mm
电池:	5号电池 (8颗)
工作温度:	-10°C~50°C
存储:	插卡式Class 10以上TF卡 最大支持128GB

## 拨动开关说明

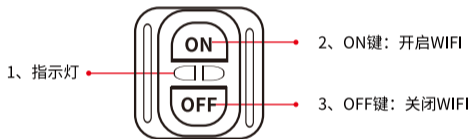


- 1、OFF:关闭
- 2、SETUP:设置/手动拍摄/回放
- 3、ON:开机/自动拍摄



注意：设置完后需要摄像机进入自动工作时需要您手动将拨动开关档位拨动到 ON 位置，摄像机才能进入自动工作状态。如若摄像机拨动开关处于SETUP档位是不能进入自动工作状态。

## 遥控器按键说明



## 应用程序下载

扫描以下二维码安装“CatchCam”应用程序





# WIFI

## 机器 WIFI 开启/关闭

将拨动开关拨动到 SETUP 位置，待摄像机开机后按动一下向上键 WIFI 将会开启。WIFI 开启后将会在摄像机屏幕上显示出 WIFI 名称与 WIFI 密码。手机可根据摄像机屏幕显示的 WIFI 名称与 WIFI 密码连接摄像机 WIFI。如需关闭 WIFI，再次按动一下向上键WIFI将会关闭。

## 遥控器开启/关闭WIFI

摄像机拨动开关处于SETUP档位或ON档位时使用遥控器可快速开启WIFI。按动遥控器ON 键摄像机即可开启WIFI。如需关闭WIFI按动遥控器OFF键摄像机WIFI将会关闭。

**备注：WIFI开启后在摄像机屏幕上会显示出WIFI名称和WIFI密码。**

**WIFI名称：M50-XXXXXXXXXXXX**

**WIFI初始密码：12345678**

# 使用指南

## 自动拍照

摄像机拨动开关手动拨动到 ON 位置，当有动物从摄像机正面经过时，摄像机会自动进行抓拍。

## 自动录影

摄像机拨动开关手动拨动到 SETUP 位置，待摄像机开机后按一下 MENU 键，摄像机即可进入通用设置界面。通过按动向下键或向上键来选择拍摄模式，按 OK 键进入拍摄模式设置，再向下键选择录影菜单，选定后按 OK 键进行确认。确认菜单后再按 MENU 键退出菜单设置，之后再拨动开关拨动到 ON 位置。

**完成以上设置操作后，当有动物从摄像机正面经过时，摄像机会自动进行录影。**

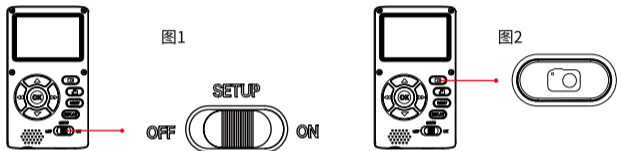
## 自动拍照+录影功能

摄像机拨动开关手动拨动到 SETUP 位置，待摄像机开机后再按一下 MENU 键，摄像机进入通用设置界面。通过按动向下键或向上键来选择拍摄模式，按 OK 键进入拍照+录影设置，再向下键选择拍照+录影菜单，选定后按 OK 键进行确认。确认菜单后再按 MENU 键退出菜单设置，之后再拨动开关手动拨动到 ON 位置。

**完成以上设置操作后，当有动物从摄像机正面经过时，摄像机会自动进行拍照+录影。**

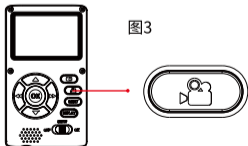
## 手动拍照

摄像机拨动开关手动拨动到 SETUP 位置(如图1),待摄像机开机后再按一下拍照键(如图2)进入拍照预览界面;再按一下拍照键摄像机将会进行拍照。



## 手动录影

摄像机拨动开关手动拨动到 SETUP 位置(如图1),待摄像机开机后再按一下录影键(如图3)进入录影预览界面;再按一下录影键摄像机将会进行录影。



## 通用设置

将拨动开关拨动到 SETUP 位置(如图1),待摄像机开机后再按一下 MENU 键(如图4),摄像机进入通用设置界面。通过按动向下键或向上键来选择需要设置的菜单,按 OK 键进入设置和确认设置。待设置完成后按 MENU 键退出。

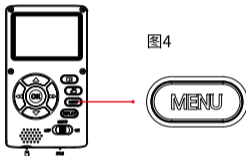


图4

## 通用设置菜单

模式:	拍照 / 錄影 / 拍照+錄影
PIR间隔:	00分05秒~59分59秒
侧PIR设置:	关 / 开
PIR灵敏度:	高 / 中 / 低
定时拍摄:	05S~23H59M59S
IR LED:	自动 / 最佳 / 经济
监控时段:	关 / 开



## 拍照设置

将拨动开关拨动到 SETUP 位置(如图1),待摄像机开机后再按一下 MENU 键(如图4),通过按动左键或右键切换到拍照设置界面。通过按动向下键或向上键来选择需要设置的菜单,按 OK 键进入设置和确认设置。待设置完成后按 MENU 键退出。

### 拍照设置菜单

拍照分辨率: 24M / 20M / 16M / 12M / 8M / 5M / 3M / 2M  
拍摄张数: 1 / 2 / 3 / 4 / 5 / 6 / 7 / 8 / 9 / 10张  
快门速度: 1 / 15、1 / 20、1 / 30



## 录影设置

将拨动开关拨动到 SETUP 位置(如图1),待摄像机开机后再按一下 MENU 键(如图4),通过按动左键或右键切换到录影设置界面。通过按动向下键或向上键来选择需要设置的菜单,按 OK 键进入设置和确认设置。待设置完成后按 MENU 键退出。

### 录影设置菜单

录影分辨率: 1296P / 1080P / 720P / 480P / 360P  
录影时长: 5秒~180秒  
录影音频: 关 / 开



## 系统设置

将拨动开关拨动到 SETUP 位置(如图1),待摄像机开机后再按一下 MENU 键(如图4),通过按动左键或右键切换到系统设置界面。通过按动向下键或向上键来选择需要设置的菜单,按 OK 键进入设置和确认设置。待设置完成后按 MENU 键退出。



## 系统设置菜单

- |            |   |
|------------|---|
| 语言设置:      | 英语 / 法语 / 西班牙语 / 葡萄牙语 / 德语 / 意大利语 / 简体中文 / 繁体中文 / 俄语 / 日语 |
| 默认设置:      | 取消 / 确认   |
| 格式化:       | 取消 / 确认   |
| 日期 / 时间:   | YY / MM / DD、MM / DD / YY、DD / MM / YY                    |
| 时间格式:      | 12H / 24H   |
| 日期标签:      | 关 / 开   |
| 按键声音:      | 关 / 开   |
| 摄像机名称:     | A~Z、a~z、0~9 (支持大写字母A~Z,小写字母a~z、数字0~9)                     |
| 密码设置:      | 关 / 开 (支持小写字母a~z、数字0~9)                                   |
| 遥控器:       | 关 / 开   |
| WIFI 名称:   | 关 / 开 (支持大写字母A~Z,小写字母a~z、数字0~9)                           |
| WIFI 密码:   | 支持大写字母 A~Z,小写字母 a~z、数字 0~9<br>(WIFI 默认密码: 12345678)       |
| 自动关闭 WIFI: | 1 分钟 / 2 分钟 / 3 分钟  |
| 背光:        | 关 / 1 分钟 / 3 分钟 / 5 分钟                                    |

## 回放

将拨动开关拨动到 SETUP 位置(如图1),待摄像机开机后再按一下 REPLAY 键(如图5),进入回放界面后可通过向上键或向下键翻动查看文件。查看视频文件通过按动 OK 键进行播放和停止播放。查看完文件后按 REPLAY 键退出回放功能。



图5





# 常见问题

1) 摄像机不能开机。

可能是电池没有电了，更换全新电池。

2) 摄像机不能自动拍照/录影

确认拨动开关有无在ON位置，拨动开关需要在ON位置摄像机才能自动拍照/录影。

3) 摄像机指示灯有几种状态？

红色指示灯闪烁：副感应器感应到物体。

蓝色指示灯闪烁：主感应器感应到物体。

粉色指示灯闪烁：主/副感应器感应到物体。

4) 屏幕显示“PIR:0-1”与“PIR:1-1”？

PIR:0-1 副感应器感应到物体。

PIR:1-1 主副感应器同时感应到物体。

**产品功能可能会随产品升级或更新而改变，请以实际产品的规格为准。**

若有售后服务需求，请联系 SJCAM 客服

技术支持邮箱：support@sjcam.com

欢迎访问 SJCAM 售后服务网页 [WWW.SJCAM.CN](http://WWW.SJCAM.CN)

制造商：深圳市臻呈科技有限公司



# Руководство пользователя

Пожалуйста, внимательно прочтите руководство пользователя перед первым использованием камеры.

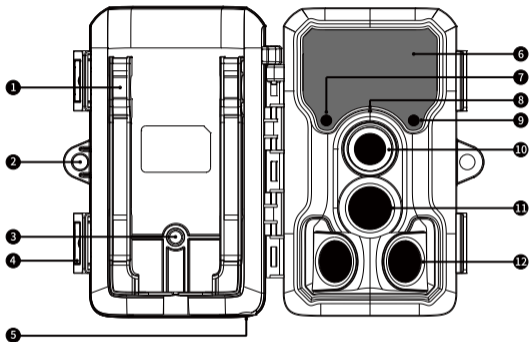
## Руководство по безопасности

1. Этот продукт является высокоточным инструментом, не роняйте его и не ударяйте.
2. Не приближайте этот продукт к объектам с сильным магнитным полем, таким как магниты или двигатели, и избегайте размещения этого продукта рядом с Объекты с сильным беспроводным набором номера, чтобы избежать неисправности продукта или повреждения изображения / звука, которые могут быть вызваны сильными магнитными полями и беспроводным набором номера.
3. Не подвергайте этот продукт воздействию высоких температур или прямых солнечных лучей в течение длительного времени.
4. Пожалуйста, выберите стандартную марку TF-карты, нестандартные фирменные карты не могут гарантировать нормальную работу.
5. Не приближайте TF-карту к объектам с сильными магнитными полями, чтобы не потерять данные, хранящиеся на карте.
6. Этот продукт может использовать сухие батареи или аккумуляторные батареи. Пожалуйста, проверьте положительный и отрицательный полюса батареи. Не разбирайте и не сжигайте батарею. Используйте вместе батарейки или батарейки разных типов, чтобы избежать утечки или взрыва батарей.
7. Поместите этот продукт в прохладное, сухое и непыльное место.

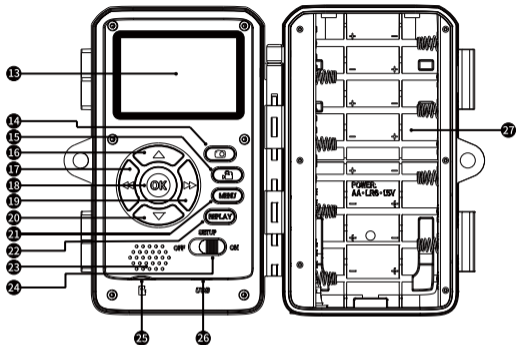
Пожалуйста, выберите официальный пункт сбора, чтобы утилизировать этот продукт или его батарею, и не выбрасывайте их вместе с мусором.



## Обзор продукции

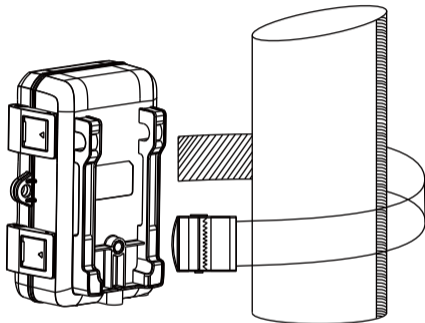


1. Ушко для шнура    2. Замочная скважина    3. 1/4 гайки    4. Кнопка блокировки  
5. Порт источника питания    6. Инфракрасный свет    7. Фоточувствительный  
8. Микрофон    9. Световой индикатор    10. Камера  
11. (Главный) датчик    12. (Дополнительный) датчик



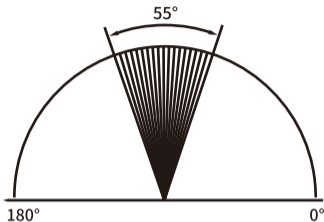
- |  |                       |                                  |                   |
|--|-----------------------|----------------------------------|-------------------|
| 13. Экран                              | 14. Кнопка камеры     | 15. Кнопка видео                 | 16. Стрелка вверх |
| 17. Левая кнопка                       | 18. Кнопка OK         | 19. Щелкните правой кнопкой мыши |                   |
| 20. Стрелка вниз                       | 21. Кнопка МЕНЮ       | 22. Кнопка REPLAY                | 23. Рупор         |
| 24. Тумблер (ВЫКЛ. / НАСТРОЙКА / ВКЛ.) |                       | 25. гнездо для карты TF          |                   |
| 26. USB-порт                           | 27. Батарейный отсек. |                                  |                   |

## Схема установки камеры



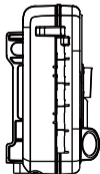
Прикрепите камеру к объекту с помощью ремня

## Принципиальная схема угла обзора камеры



Угол обзора камеры 55 °

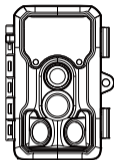
## Принципиальная схема расстояния срабатывания камеры



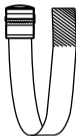
Примерно в 12 метрах



## Товарный перечень



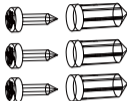
Охотничья камера X1



Ремешок X1



Кронштейн X1



Расширительный винт X3



Пульт дистанционного



USB-кабель X1



Объяснительная записка X1

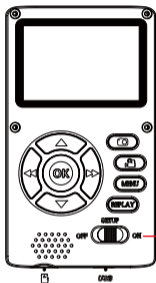
## Параметр

Основной чип :	NT96658
датчик :	GC4653
Угол обзора объектива :	60°
диафрагма :	1.6
Пиксель :	24M
Экран :	2.33 дюйма
Wifi :	2.4GHz
дистанционное управление :	поддержано
Инфракрасный свет :	38 шт
Угол обнаружения PIR :	55°
Тепловое расстояние срабатывания :	12 метров
Формат кодирования :	H.264
Формат видео :	MP4
Формат изображения :	JPG
Разрешение видео :	1296P (1728*1296) 30FPS 1080P (1920*1080) 30FPS 720P (1280*720) 30FPS 480P (848*480) 30FPS 360P (640*360) 30FPS

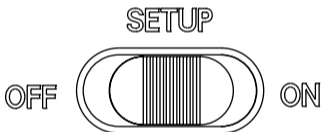


Разрешение камеры :	24M (6544*3680) 20M (5888*3312) 16M (5376*3024) 12M (4608*2592) 8M (3840*2160) 5M (2960*1664) 3M (2400*1344) 2M (1920*1088)
Язык :	Английский / французский / испанский / португальский /Немецкий / итальянский / упрощенный китайский/ турецкий Традиционный китайский / Русский / Японский
микрофон :	встроенный
Динамик :	встроенный
Интерфейс USB :	TYPE_C
Водонепроницаемый :	IP65
Размер оборудования :	134*96*74 мм
аккумулятор :	батарея AA 8 шт
Рабочая Температура :	-10°C~50°C
место хранения :	Подключаемая карта TF выше класса 10 поддерживает до 128 ГБ

## Описание волнового переключателя

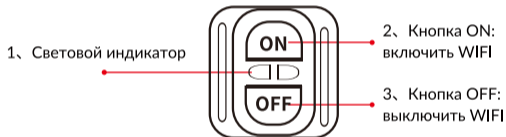


1. ВЫКЛ: выключить
2. НАСТРОЙКА: установка / ручная съемка / воспроизведение
3. 3.ВКЛ: включение / автоматическая съемка



Примечание: вам необходимо вручную установить тумблер, когда камера должна перейти в автоматический режим работы после настройки. Переключитесь в положение ON, камера может перейти в автоматическое рабочее состояние. Если переключатель поворота камеры В режиме НАСТРОЙКИ он не может войти в автоматическое рабочее состояние.

## Описание кнопки пульта дистанционного управления



## Скачать приложение

Отсканируйте приведенный ниже код, чтобы установить приложение "CatchCam"



# WIFI

## **Включение / выключение WIFI**

Переведите тумблер в положение «НАСТРОЙКА». После включения камеры нажмите кнопку «вверх» один раз, и WIFI будет включен. После включения WIFI имя и пароль WIFI будут отображаться на экране камеры. Телефон может быть основан на фотоаппарате. Подключите камеру WIFI с именем WIFI и паролем WIFI, отображаемым на экране камеры. Чтобы выключить WIFI, еще раз нажмите кнопку «вверх» один раз, и WIFI отключится.

## **Пульт дистанционного управления для включения / выключения WIFI**

Когда поворотный переключатель камеры находится в положении SETUP или ON, пульт дистанционного управления можно использовать для быстрого включения WIFI. Нажмите пульт камеру можно включить, нажав кнопку ON на контроллере. Если вам нужно отключить WIFI, нажмите кнопку OFF на пульте дистанционного управления, и WIFI камеры будет неисправность.

**Примечание:** После включения WIFI название и пароль WIFI будут отображаться на экране камеры

**Название WIFI:** M50-XXXXXXXXXXXX

**Начальный пароль WIFI:** 12345678

# РУКОВОДСТВО ПОЛЬЗОВАТЕЛЯ

## **Автоматически делать снимки**

Переключатель камеры вручную переведен в положение ВКЛ. Когда животное проходит перед камерой, камера автоматически сделает снимок автоматически.

## **Автоматическая запись**

Переключатель камеры вручную перемещается в положение SETUP, после включения камеры нажмите кнопку MENU, камера может войти в интерфейс общих настроек. Выберите режим съемки, нажав кнопку «вниз» или «вверх», нажмите кнопку ОК, чтобы войти в настройки режима съемки, затем нажмите кнопку «вниз», чтобы выбрать меню записи, а затем нажмите кнопку ОК для подтверждения. После подтверждения меню нажмите кнопку MENU, чтобы выйти из настройки меню, а затем поверните тумблер в положение ON.

**После завершения вышеуказанных операций по настройке, когда животное проходит перед камерой, камера автоматически записывает.**

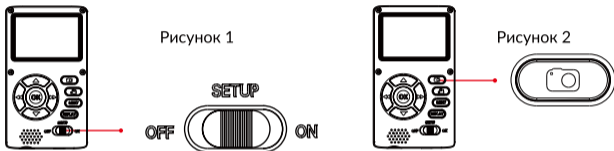
## **Автоматическая функция фото + видео**

Переключатель камеры вручную переведен в положение SETUP., После включения камеры снова нажмите кнопку MENU, и камера войдет в интерфейс общих настроек. Выберите режим съемки, нажав кнопку «вниз» или «вверх», нажмите кнопку ОК, чтобы войти в настройку фото + видео, затем нажмите кнопку «вниз», чтобы выбрать меню фото + видео, а затем нажмите кнопку ОК для подтверждения. После подтверждения меню нажмите кнопку MENU, чтобы выйти из меню, а затем вручную поверните тумблер в положение ON.

**После завершения вышеуказанных операций по настройке, когда животное проходит перед камерой, камера автоматически снимает изображения + видео.**

## Сделайте фотографии вручную

Переключатель камеры вручную перемещается в положение SETUP (Рисунок 1). После включения камеры нажмите кнопку камеры (Рисунок 2), чтобы войти в интерфейс предварительного просмотра камеры; нажмите кнопку камеры еще раз, и камера сделает снимок. .



## Ручная запись

Переключатель камеры вручную перемещается в положение SETUP (как показано на рисунке 1), после включения камеры нажмите кнопку записи (как показано на рисунке 3), чтобы войти в интерфейс предварительного просмотра видео; нажмите кнопку записи еще раз и камера начнет запись.



## Общие настройки

Переведите тумблер в положение SETUP (как показано на рисунке 1). После включения камеры нажмите кнопку MENU (как показано на рисунке 4). Камера войдет в интерфейс общих настроек. Выберите меню для настройки, нажав кнопку «вниз» или «вверх», и нажмите кнопку OK, чтобы войти в настройку и подтвердить ее. После завершения настройки нажмите кнопку MENU для выхода.

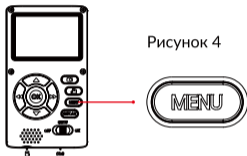


Рисунок 4

## Меню общих настроек

Режим : Фото / Видео / Фото + Видео

Интервал PIR : 00 минут 05 секунд ~ 59 минут 59 секунд

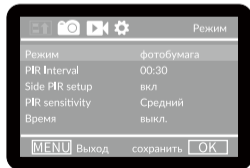
Боковая настройка PIR : Выкл. / Вкл.

Чувствительность PIR : Высокая Средняя Низкая

Цейтраферная съемка : 05S ~ 23H59M59S

IR LED : Автомат/лучший/экономичный

Период мониторинга : выкл. / вкл.



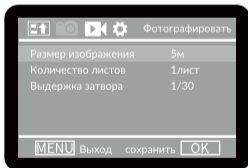


## Настройки камеры

Переместите тумблер в положение SETUP (как показано на рисунке 1), нажмите кнопку MENU (как показано на рисунке 4) после включения камеры и переключитесь на интерфейс настройки камеры, нажав левую или правую кнопку. Выберите меню для настройки, нажав кнопку «вниз» или «вверх», и нажмите кнопку OK, чтобы войти в настройку и подтвердить ее. После завершения настройки нажмите кнопку MENU для выхода.

## Меню настройки фото

Разрешение фото :	24M / 20M / 16M / 12M / 8M / 5M / 3M / 2M
Количество выстрелов:	1 / 2 / 3 / 4 / 5 / 6 / 7 / 8 / 9 / 10 листов
Скорость затвора :	1 / 15 , 1 / 20 , 1 / 30

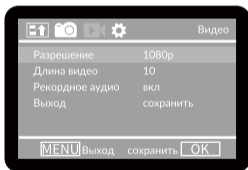


## Настройки записи

Переместите тумблер в положение SETUP (как показано на рисунке 1), нажмите кнопку MENU (как показано на рисунке 4) после включения камеры и переключитесь на интерфейс настройки записи, нажав левую или правую кнопку. Выберите меню для настройки, нажав кнопку «вниз» или «вверх», и нажмите кнопку OK, чтобы войти в настройку и подтвердить ее. После завершения настройки нажмите кнопку MENU для выхода.

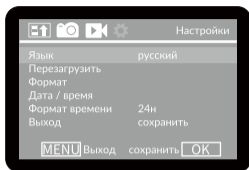
## Меню настройки записи

Разрешение видео :           1296P / 1080P / 720P / 480P / 360P  
Время записи :               От 5 секунд до 180 секунд  
Видео аудио :                 Выкл. / Вкл.



## Настройки системы

Переведите тумблер в положение SETUP (как показано на рисунке 1), дождитесь включения камеры. Снова нажмите кнопку MENU после компьютера (как показано на рисунке 4), нажав левую или правую клавиша для перехода к интерфейсу настройки системы. Нажимая кнопку «вниз» или «вверх», выберите меню для настройки, нажмите ОК, чтобы войти в настройку и подтвердить настройку. После завершения настройки нажмите кнопку MENU для выхода.



## Меню настройки системы

языковые настройки :	Английский / французский / испанский / португальский / немецкий / Итальянский / упрощенный китайский / традиционный китайский / русский / японский
настройки по умолчанию :	отменить подтвердить
формат :	отменить подтвердить
Дата / время :	YY / MM / DD, MM / DD / YY, DD / MM / YY
Формат времени :	12ч / 24ч
Ярлык даты :	Выкл. / Вкл.
Звук кнопки :	Выкл. / Вкл.
Название камеры :	A ~ Z, a ~ z, 0 ~ 9 (поддерживаются прописные буквы A ~ Z, строчные буквы a ~ z, цифры 0 ~ 9)
установка пароля :	Выкл. / Вкл. (Поддерживаются строчные буквы a ~ z, цифры 0 ~ 9)
дистанционное управление :	Выкл. / Вкл.

Название WIFI :	Выкл. / Вкл. (Поддерживаются прописные буквы А ~ Z, строчные буквы а ~ z, цифры 0 ~ 9)
Пароль WIFI :	Поддержка прописных букв А ~ Z, строчных букв а ~ z, цифр 0 ~ 9 (Пароль WIFI по умолчанию: 12345678)
Отключить WIFI автоматически :	1 минута / 2 минуты / 3 минуты
Подсветка :	Выкл. / 1 минута / 3 минуты / 5 минут

## Воспроизвести

Переместите тумблер в положение SETUP (как показано на рисунке 1) и нажмите кнопку REPLAY (как показано на рисунке 5) после включения камеры. После входа в интерфейс воспроизведения вы можете перемещаться по клавишам вверх или вниз. для просмотра файлов. Просмотрите видеофайл, нажав кнопку ОК, чтобы воспроизвести и остановить воспроизведение. После просмотра файла нажмите кнопку REPLAY, чтобы выйти из функции воспроизведения.



Рисунок 5



## Общая проблема

1) Не удается включить камеру.

Возможно, аккумулятор разряжен. Замените аккумулятор на новый.

2) Камера не может автоматически снимать фото / видео.

Убедитесь, что тумблер находится в положении ON. Чтобы камера могла автоматически делать снимки / видео, переключатель должен быть в положении ON.

3) Сколько состояний у индикатора камеры?

Красный индикатор мигает: вспомогательный датчик обнаружил объект.

Синий индикатор мигает: главный датчик обнаруживает объект.

Мигает розовый индикатор: главный / вспомогательный датчик обнаруживает объект.

4) На экране отображается «PIR: 0-1» и «PIR: 1-1»?

PIR: 0-1 вспомогательный датчик обнаруживает объект.

PIR: 1-1 главный / вспомогательный датчик обнаруживает объект.

**Характеристики продукта могут измениться при обновлении или обновлении продукта, пожалуйста, ознакомьтесь с действующими техническими характеристиками продукта.**

Если вам необходимо послепродажное обслуживание, обратитесь в службу поддержки SJCAM.

Электронная почта службы поддержки: [support@sjcam.com](mailto:support@sjcam.com)

Добро пожаловать на страницу послепродажного обслуживания SJCAM [WWW.SJCAM.CN](http://WWW.SJCAM.CN)

Производитель: Shenzhen Zhencheng Technology Co., Ltd.







## 深圳市臻呈科技有限公司

Made by Shenzhen ZhenCheng Technology Co.,Ltd.

地址：深圳市龙岗区坂田街道上雪工业区1路2号C栋

3/F Building C, NO.2 Road 1, Shangxue Industrial Area

Bantian, Longgang District, Shenzhen, China

Technical Support Email (技术支持邮箱) : support@sjcam.com

Official website (官方网站) : sjcam.com

Made in China

