



# **iPod Hi-Fi**

## **User's Guide**

ユーザーズガイド

Guide de l'utilisateur

Manual del usuario

 Apple Computer, Inc.

© 2006 Apple Computer, Inc. All rights reserved.

Apple, the Apple logo, AirMac, and iPod are trademarks of Apple Computer, Inc., registered in the U.S. and other countries. AirPort Express, iPod Hi-Fi, and MacBook are trademarks of Apple Computer, Inc.

# Contents

- 5 iPod Hi-Fi User's Guide
- 29 iPod Hi-Fi ユーザーズガイド
- 53 iPod Hi-Fi Guide de l'utilisateur
- 79 iPod Hi-Fi Manual del usuario



**iPod Hi-Fi**  
User's Guide



# Contents

- 9 **Chapter: 1 “Welcome”**
- 10 “iPod Hi-Fi Front View”
- 11 “iPod Hi-Fi Rear View”
  
- 12 **Chapter: 2 “Setting Up Your iPod Hi-Fi”**
- 12 “Step 1: Plug In Your iPod Hi-Fi or Insert Batteries”
- 13 “Step 2: Connect Your iPod”
- 14 “Step 3: Play Music”
  
- 15 **Chapter: 3 “Using Your iPod Hi-Fi”**
- 15 “Connecting iPod”
- 16 “Changing iPod Screen Settings”
- 16 “Connecting Other Audio Devices or an iPod Without a Dock Connector”
- 18 “Adjusting the Sound”
- 20 “Using the Apple Remote”
- 23 “Saving Battery Life”
  
- 24 **Chapter: 4 “Tips and Troubleshooting”**
  
- 26 **Chapter: 5 “Learning More, Service, and Support”**



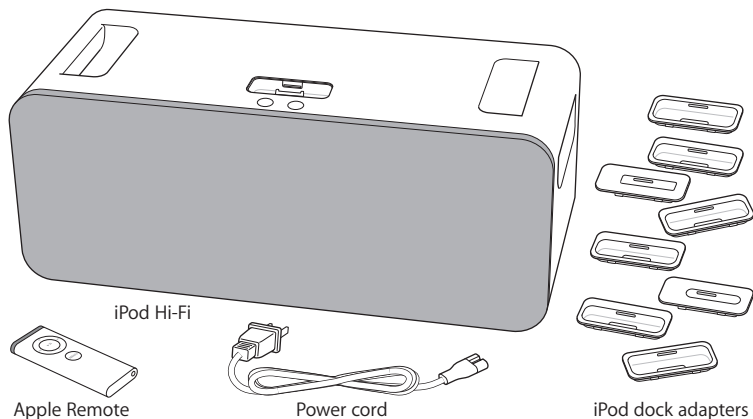


# Welcome

# 1

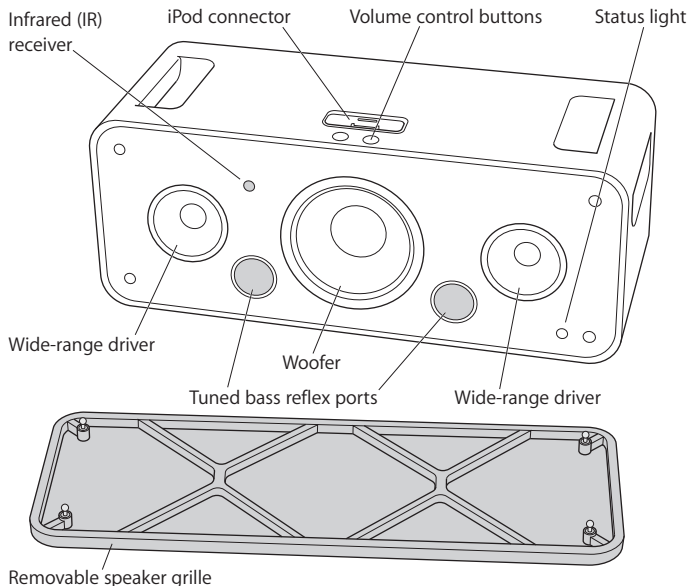
## Congratulations on your new iPod Hi-Fi.

Your iPod Hi-Fi is a high-quality portable speaker system that plays music from any iPod. You can also use it to play music from other audio devices.



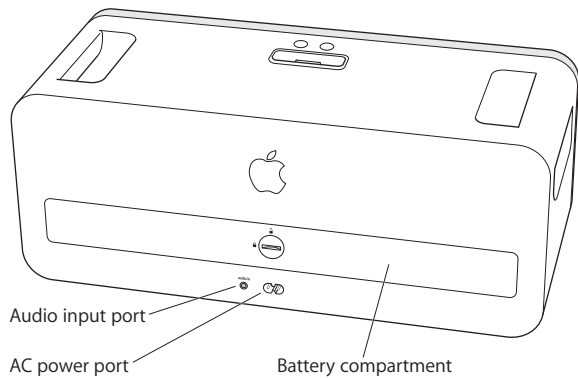
**Note:** Your power cord may look different from the one pictured here.

## iPod Hi-Fi Front View



**Note:** You can use your iPod Hi-Fi with the speaker grille on or off. To best protect the speakers, leave the grille on. To avoid damage to the speakers, do not touch the speaker cones.

## iPod Hi-Fi Rear View



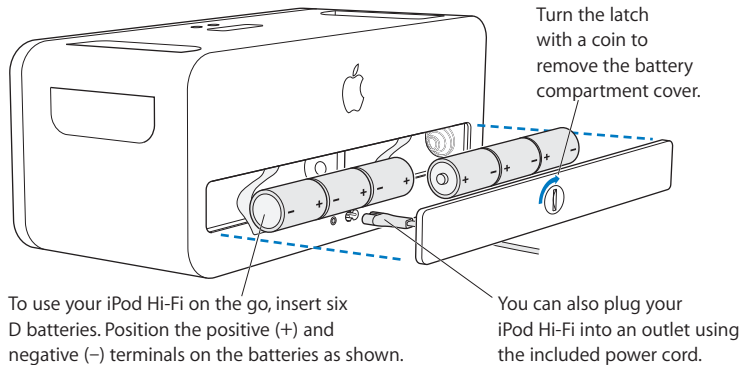
# Setting Up Your iPod Hi-Fi

# 2

You can set up and start listening to music on your iPod Hi-Fi in a few easy steps.

## Step 1: Plug In Your iPod Hi-Fi or Insert Batteries

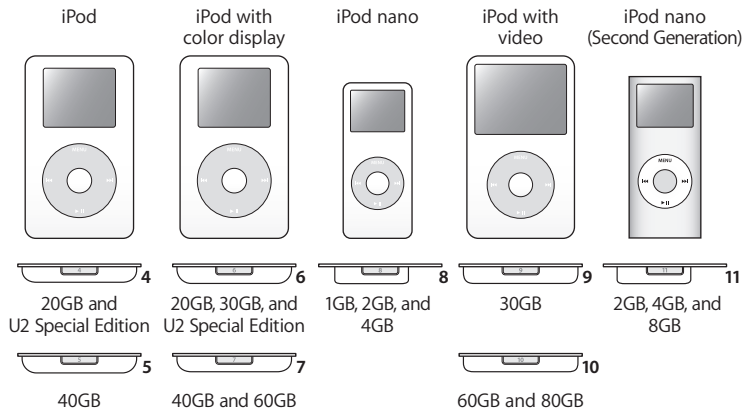
You can plug in your iPod Hi-Fi, or insert six D batteries to use it on the go.



## Step 2: Connect Your iPod

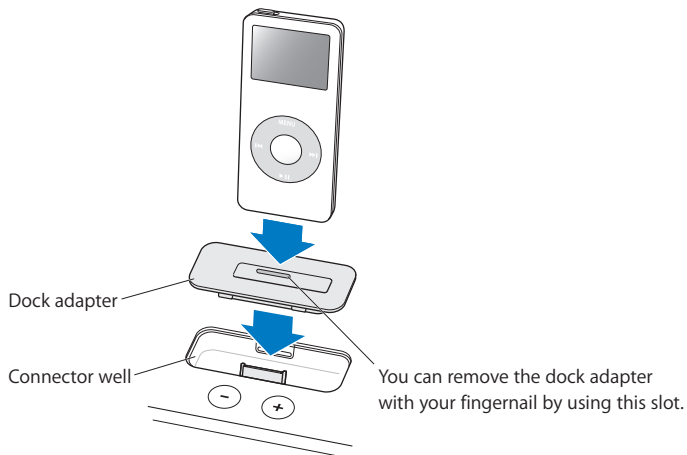
Choose the dock adapter that fits your iPod. Your iPod fits snugly into the correct adapter.

The number (4–11) shows which iPod fits



**Note:** If there is no dock adapter for your model of iPod included with your iPod Hi-Fi, you can purchase one at [www.apple.com/ipodstore](http://www.apple.com/ipodstore). If you have an older iPod that doesn't have a dock connector on the bottom, you can use an audio cable to connect it to the audio input port (see page 16).

Insert the dock adapter into your iPod Hi-Fi and connect your iPod. The iPod Hi-Fi status light blinks green.



### Step 3: Play Music

Browse for a song on iPod, then press Play (▶) and enjoy! Use the buttons on your iPod Hi-Fi or on the included Apple Remote to increase or decrease the volume.

Read on to learn about connecting iPod to your iPod Hi-Fi, connecting other audio devices, adjusting the sound, using the Apple Remote, and more.

## Connecting iPod

You can connect any iPod to your iPod Hi-Fi. If your iPod has a dock connector, you can insert it into your iPod Hi-Fi. If your iPod doesn't have a dock connector, you can use an audio cable to connect it to the audio input port (see page 16).

### **To connect an iPod with a dock connector:**

- Insert the dock adapter that fits your iPod, and then connect your iPod as shown on page 14. The status light blinks green.

Your iPod Hi-Fi includes dock adapters that work with most models of iPod with dock connectors. If you want to connect a different iPod, you can easily remove the dock adapter from your iPod Hi-Fi using a fingernail, insert the adapter that fits the other iPod, and then insert the other iPod.

If there is no dock adapter for your model of iPod included with your iPod Hi-Fi, you can purchase one at [www.apple.com/ipodstore](http://www.apple.com/ipodstore).

## Changing iPod Screen Settings

With some newer iPod models, you can set how the backlight behaves when iPod is connected to your iPod Hi-Fi. You can also set whether you see the Now Playing screen or album artwork on iPod. You're able to change these settings if you see a Speakers item in the main menu when you connect your iPod.

**To set how the backlight behaves, choose Speakers and follow these instructions:**

- *To set the backlight to be on when music is playing, set Backlight to While Playing.*  
**Note:** This is the default setting.
- *To set the backlight to turn on when you use the remote or the iPod controls, set Backlight to On Keypress.*
- *To set the backlight to be on always, set Backlight to Always On.*
- *To set the backlight to be off always, set Backlight to Always Off.*

**To set your iPod to display full screen album artwork (when artwork is available for that song):**

- Choose Speakers and set Large Album Art to On.

## Connecting Other Audio Devices or an iPod Without a Dock Connector

Your iPod Hi-Fi has a digital/analog audio input port. You can use it to play music from an iPod that doesn't have a dock connector, or from other audio devices, such as a CD player, stereo receiver, or computer. If you have an AirPort Express Base Station, you can connect it to your iPod Hi-Fi and play music from a computer in another room.



You connect audio devices or an older iPod using an audio cable with a standard 3.5 millimeter stereo miniplug. For higher-quality sound, you can connect an optical digital audio device using an optical digital audio cable with a Mini-Toslink connector.



3.5mm Stereo Miniplug  
(available separately)



Optical digital cable with Mini-Toslink connector  
(available separately)

### To play music from another audio device through your iPod Hi-Fi:

- 1 Connect an audio cable to the audio input port on your iPod Hi-Fi and to a line-level port or headphones port on the device.

**WARNING:** Distortion may occur if you connect your iPod Hi-Fi to a device with an output higher than 2V (volts) RMS. Do not connect your iPod Hi-Fi to the speaker outputs from another device. You could damage your iPod Hi-Fi.

- 2 Turn on the device and begin playing music from it.  
See the documentation that came with the device for more information.

### **To switch playback from an iPod to a device connected to the audio input port:**

If an iPod with a dock connector and an audio device are connected to your iPod Hi-Fi at the same time, your iPod Hi-Fi plays music from the iPod by default.

- Press and hold the Menu button on the remote. The status light blinks green, and the iPod pauses. To switch back to the iPod, press and hold the Menu button again.

You can also remove your iPod to switch to a device connected to the audio input port.

### **To play audio from your computer using your iPod Hi-Fi:**

- You can connect an AirPort Express Base Station to your iPod Hi-Fi and stream audio wirelessly from a computer in another room.  
For more information, go to [www.apple.com/airportexpress](http://www.apple.com/airportexpress).
- In most cases, you can also connect a computer directly to your iPod Hi-Fi using an audio cable. If you have a computer with optical digital audio, such as a Mac Pro or a MacBook Pro, you can connect it using an optical digital cable for better quality sound.

## Adjusting the Sound

### **To adjust the volume:**

- Press the Volume Up (+) or Volume Down (–) button on top of your iPod Hi-Fi or on the included remote.

With some newer models of iPod, you can also adjust the volume using the iPod Click Wheel.

If you connect another audio device that has volume controls to the audio input port, such as a stereo receiver, you can also change the volume using the other device. Experiment to see which volume level sounds best when using the device with your iPod Hi-Fi.

**To change equalizer settings:**

- If you're playing music through an iPod, change the settings on the iPod. Choose Settings > EQ and choose an equalizer preset.
- If you're playing music through a device connected to the audio input port, change equalizer settings on the device, if possible. See the documentation that came with the device.

**To increase the bass or the treble:**

With some newer models of iPod, you can also set your iPod Hi-Fi to increase the bass or the treble. You're able to adjust this setting if you see a Speakers item in the main menu when you connect your iPod.

- Choose Speakers > Tone Control, and then choose Treble Boost, Normal, or Bass Boost.

## Using the Apple Remote

You can use the included infrared remote to control playback. Make sure there are no obstructions between the remote and your iPod Hi-Fi.

### Using the Remote with iPod

To use the remote when playing music from an iPod connected to your iPod Hi-Fi, follow the instructions below.

To	Do This
Play or pause a song	Press the Play/Pause (▶  ) button.
Change the volume	Press the Volume Up (⬆) or Volume Down (⬇) button.
Skip to the next song	Press the Next/Fast-forward (▶▶) button.
Restart a song or play the previous song	Press the Previous/Rewind (◀◀) button once to restart a song. Press it twice to play the previous song.
Fast-forward or rewind a song	Press and hold the Next/Fast-forward (▶▶) or Previous/Rewind (◀◀) button.
Switch to a device connected to the audio input port	Press and hold the Menu button (or remove iPod).

**Note:** You can't use the remote to skip to a different playlist. You must use the iPod controls to choose another playlist.

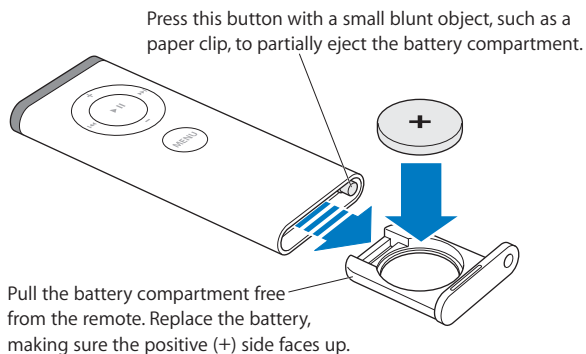
## Using the Remote With Another Audio Device

To use the remote when playing music from a device connected to the audio input port, follow the instructions below.

To	Do This
Change the volume	Press the Volume Up (+) or Volume Down (-) button. (You can also use the volume controls on the audio device.)
Mute or unmute the sound	Press the Play/Pause (▶  ) button.
Switch to an iPod connected to your iPod Hi-Fi	Press and hold the Menu button.

## Changing the Battery

The remote includes a battery. When needed, you can replace it with a CR2032 battery.



## Pairing Your iPod Hi-Fi with the Remote

The included Apple Remote works with other compatible Apple products that have a built-in infrared (IR) receiver. You can set your iPod Hi-Fi to work only with the included remote so that remotes for your other devices don't affect your iPod Hi-Fi.

You may wish to pair your other Apple Remote-compatible devices with other Apple Remotes so that the remote you use with your iPod Hi-Fi doesn't affect those devices. See the documentation that came with the other devices for instructions.

### To set your iPod Hi-Fi to work only with the included remote:

- 1 Connect your iPod Hi-Fi to an electrical outlet.

**Note:** If your iPod Hi-Fi has batteries, you don't need to connect it to an outlet.

- 2 Make sure other products that are compatible with the remote are not in range, and hold the remote close to your iPod Hi-Fi (about 3 to 4 inches away).
- 3 Press and hold the Menu and Next/Fast-forward (⏭) buttons on the remote simultaneously for about six seconds. The status light blinks green several times. Your iPod Hi-Fi now works only with the paired remote.

### To reset your iPod Hi-Fi to work with all Apple Remotes:

- Follow steps 1 and 2 above. Then press and hold the Menu and Previous/Rewind (⏮) buttons on the remote simultaneously for about six seconds. The status light blinks green several times.

Your iPod Hi-Fi now works with all Apple Remotes.

## Saving Battery Life

When not in use, your iPod Hi-Fi enters a low-power standby mode to save battery life. However, if you don't plan to use your iPod Hi-Fi for an extended period, you may wish to remove the batteries to extend battery life even longer. For information on changing the batteries, see page 12.

**Note:** If you are using your iPod Hi-Fi with batteries (and not plugged into an electrical outlet) and you connect an iPod with a dock connector, the batteries in your iPod Hi-Fi will provide a minimum charge to iPod. If you don't want the batteries in your iPod Hi-Fi to expend power when iPod isn't playing, remove iPod from your iPod Hi-Fi. If your iPod Hi-Fi is plugged into an electrical outlet, the iPod battery charges until it is fully charged.

Most problems with your iPod Hi-Fi can be solved quickly by following the advice in this chapter.

## If your iPod Hi-Fi won't play music or respond

- Make sure the volume isn't turned down all the way. If another audio device is connected, make sure the volume on that device isn't turned down all the way.
- Unplug your iPod Hi-Fi, wait about five seconds, and plug it in again. Make sure the power cord connectors on both ends of the power cord are pushed in all the way.
- If you're using batteries, make sure the batteries are inserted correctly.
- If an iPod and another audio device are connected, make sure your iPod Hi-Fi is set to play from the device you want (see page 18).
- The batteries may need to be replaced (see page 12).

## If your iPod won't respond

- Make sure the Hold switch is off and your iPod is not paused.
- Reset your iPod. Connect iPod to your iPod Hi-Fi, set the Hold switch to HOLD, and then turn it off again. Then press and hold the Center and Menu buttons for about six seconds, until the Apple logo appears.

**Note:** If you have an original iPod with a dock connector (with four buttons below the display), press and hold the Play/Pause (▶||) and Menu buttons to reset it.



- If that doesn't work, see the documentation that came with your iPod for more information.

### **If the remote isn't working**

- Make sure to point the remote directly at your iPod Hi-Fi.
- Make sure the remote sensor on the front panel of your iPod Hi-Fi (see page 10) is not blocked.
- Make sure you can play music through your iPod Hi-Fi using the iPod controls. The problem may not be with the remote.
- The remote battery may need to be replaced (see page 21).
- If you have more than one Apple Remote and you have paired your iPod Hi-Fi with one of them, make sure you're using the right remote. For instructions on setting your iPod Hi-Fi to work with any Apple Remote, see page 22.

### **If your iPod Hi-Fi isn't playing music from another device**

- Make sure the volume on the device and on your iPod Hi-Fi isn't turned down all the way.
- If an iPod is connected to your iPod Hi-Fi, disconnect it, or press and hold the Menu button on the remote until the status light blinks green.
- Make sure you're using the correct audio cable (see page 16) and that it is connected firmly to your iPod Hi-Fi and to the device.
- Make sure the device is turned on and functioning correctly. See the documentation that came with the device for more information.

# Learning More, Service, and Support

# 5

You can find more information about using your iPod Hi-Fi on the web.

## Safety and Regulatory Compliance

For important safety and regulatory compliance information, see the included iPod Hi-Fi Safety and Regulatory Compliance Information booklet.

## Online Resources

For the latest information about the iPod Hi-Fi, go to [www.apple.com/ipodhifi](http://www.apple.com/ipodhifi).

For service and support information, go to [www.apple.com/support/ipodhifi](http://www.apple.com/support/ipodhifi).

For an online iPod tutorial, iPod service and support information, and the latest Apple software downloads, go to [www.apple.com/support/ipod](http://www.apple.com/support/ipod).

To register your iPod Hi-Fi, go to [www.apple.com/register](http://www.apple.com/register).

## Obtaining Warranty Service

If the product appears to be damaged or does not function properly, please follow the advice in this booklet, in the included iPod Hi-Fi safety booklet, and the online resources.

If the unit still does not function, go to [www.apple.com/support/ipodhifi](http://www.apple.com/support/ipodhifi) for instructions on how to obtain warranty service.

## Finding the Serial Number of Your iPod Hi-Fi

The serial number is printed on the inside of the battery compartment of your iPod Hi-Fi.



**iPod Hi-Fi**

ユーザーズガイド



# 目次

## 33 第1章：ようこそ

34 iPod Hi-Fi 前面

35 iPod Hi-Fi 背面

## 36 第2章：iPod Hi-Fi を設定する

36 手順1：iPod Hi-Fi を電源に接続する／電池を取り付ける

37 手順2：iPod を接続する

38 手順3：音楽を再生する

## 39 第3章：iPod Hi-Fi を使用する

39 iPod を接続する

40 iPod の画面設定を変更する

40 ほかのオーディオ装置、または Dock コネクタのない iPod を接続する

42 サウンドを調節する

44 Apple Remote を使用する

47 電池の寿命を延ばす

## 48 第4章：ヒントとトラブルシューティング

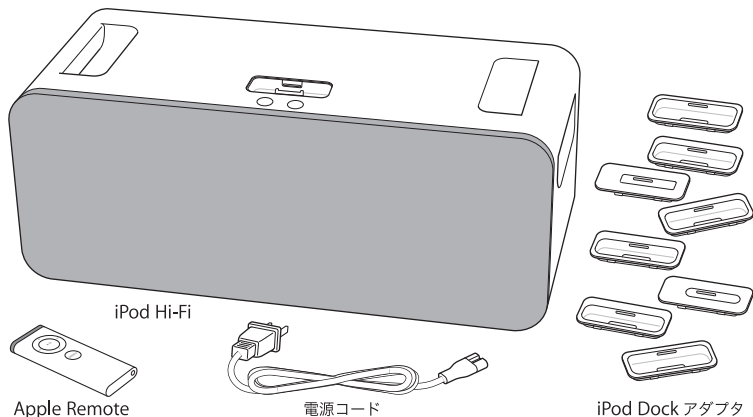
## 50 第5章：その他の情報、サービス、サポート





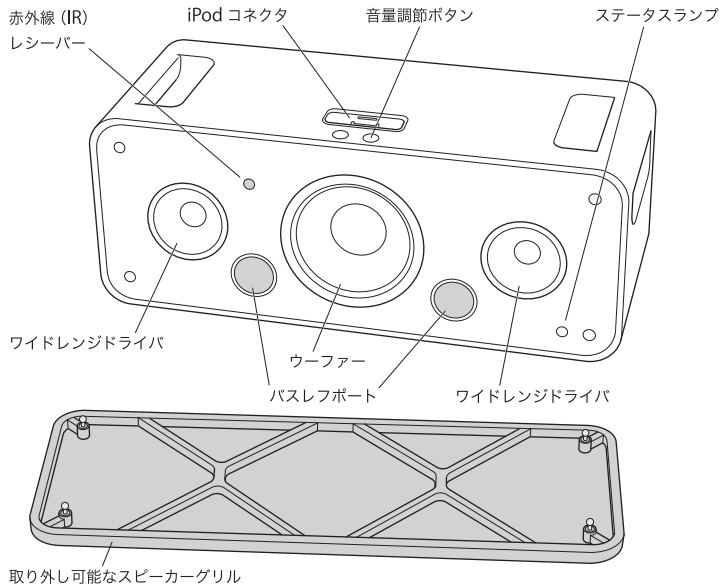
このたびは iPod Hi-Fi をご購入いただき、ありがとうございます。

iPod Hi-Fi は、すべての iPod の音楽を再生可能な高品質ポータブル・スピーカー・システムです。ほかのオーディオ装置から音楽を再生するときに使うこともできます。



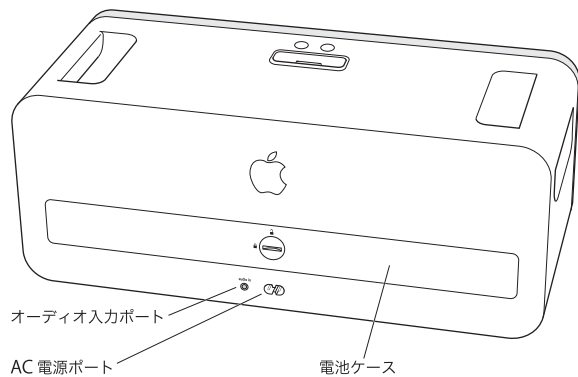
参考：実際の電源コードは、この図に示されているものと異なる場合があります。

## iPod Hi-Fi 前面



**参考：**iPod Hi-Fi は、スピーカーグリルを取り付けた状態でも、取り外した状態でも使用できます。スピーカーを最も安全に保護するため、グリルを取り付けた状態で使用してください。スピーカーが損傷するのを避けるため、スピーカーの開閉口には触れないようにしてください。

## iPod Hi-Fi 背面



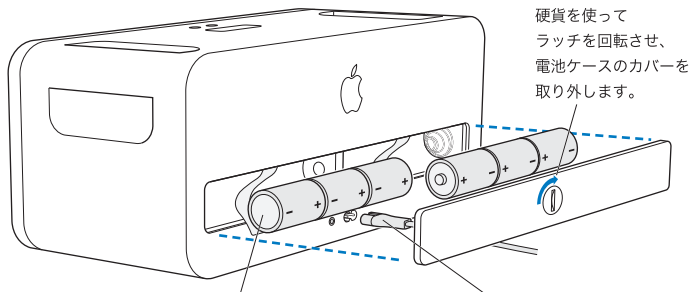
# iPod Hi-Fi を設定する

# 2

いくつかの簡単な手順を実行するだけで、iPod Hi-Fi を設定して音楽を聴くことができます。

## 手順 1 : iPod Hi-Fi を電源に接続する / 電池を取り付ける

iPod Hi-Fi は、電源に接続して使用することも、単一電池 6 本を取り付けて持ち運んで使用することもできます。



硬貨を使って  
ラッチを回転させ、  
電池ケースのカバーを  
取り外します。

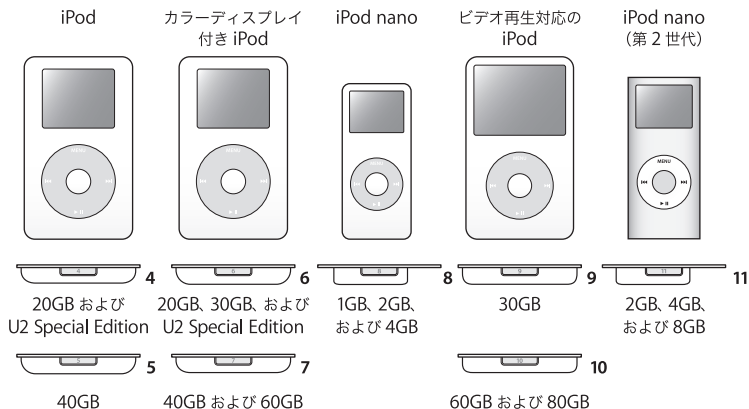
iPod Hi-Fi を持ち運んで使うには、6 本の単一電池を挿入します。電池のプラス (+) 極とマイナス (-) 極を図の向きで挿入します。

付属の電源コードを使って、iPod Hi-Fi をコンセントに接続することもできます。

## 手順 2：iPod を接続する

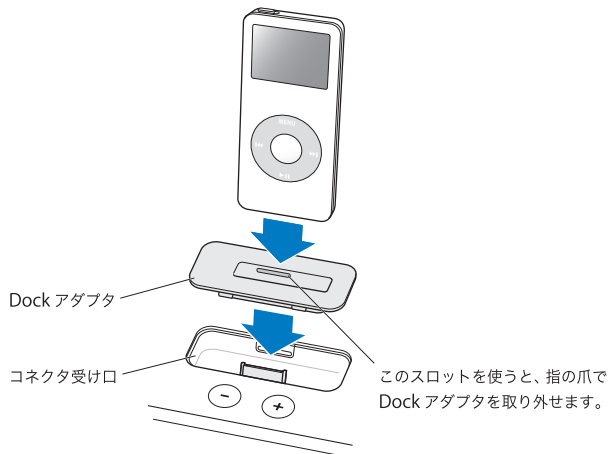
お使いの iPod に合う Dock アダプタを選びます。お使いの iPod は、適切なアダプタにはびつたりとはまります。

番号 (4-11) が対応する iPod を示します



参考：お使いのモデルの iPod に合う Dock アダプタが iPod Hi-Fi に付属していない場合は、[www.apple.com/jp/ipodstore](http://www.apple.com/jp/ipodstore) から購入できます。底面に Dock コネクタのない古い iPod を使用している場合は、オーディオケーブルを使って、iPod をオーディオ入力ポートに接続できます (40 ページを参照)。

Dock アダプタを iPod Hi-Fi に挿入して、お使いの iPod を接続します。iPod Hi-Fi のステータスランプが緑色に点滅します。



### 手順 3：音楽を再生する

iPod で曲を見つけて、「再生」ボタン (▶) を押すと、曲の再生が始まります。音量の調節には、iPod Hi-Fi または付属の Apple Remote のボタンを使用します。

次に、iPod Hi-Fi に iPod を接続する方法、ほかのオーディオ装置を接続する方法、サウンドを調節する方法、Apple Remote を使用する方法などを説明します。

## iPod を接続する

お使いの iPod Hi-Fi にはどの iPod でも接続できます。iPod に Dock コネクタがある場合は、そのコネクタをお使いの iPod Hi-Fi に挿入できます。iPod に Dock コネクタがない場合は、オーディオケーブルを使ってオーディオ入力ポートに接続できます（40 ページを参照）。

### Dock コネクタを使って iPod を接続するには：

- 38 ページに示すように、お使いの iPod に合う Dock アダプタを挿入し、iPod を接続します。ステータスランプが緑に点滅します。

iPod Hi-Fi には、Dock コネクタ付きのほとんどのモデルの iPod で使用できる Dock アダプタが付属しています。別の iPod を接続したい場合は、指の爪で簡単に iPod Hi-Fi から Dock アダプタを取り外し、別の iPod に合うアダプタを挿入して、その iPod を挿入することができます。

お使いのモデルの iPod に合う Dock アダプタが iPod Hi-Fi に付属していない場合は、[www.apple.com/jp/ipodstore](http://www.apple.com/jp/ipodstore) から購入できます。

## iPod の画面設定を変更する

iPod の一部の新しいモデルでは、iPod を iPod Hi-Fi に接続したときのバックライトの動作を設定できます。また、「再生中」画面またはアルバムアートワークを iPod に表示するかどうかを設定することもできます。iPod を接続したときにメインメニューに「スピーカー」項目が表示される場合は、これらの設定を変更できます。

バックライトの動作を設定するには、「スピーカー」を選択して、次の手順に従います：

- 音楽の再生中にバックライトが入になるように設定するには、「バックライト」を「再生中」に設定します。

参考：これがデフォルトの設定です。

- リモコンまたは iPod のコントロールを使うときにバックライトを入に設定するには、「バックライト」を「キーを押したとき」に設定します。
- バックライトを常に入に設定するには、「バックライト」を「常にオン」に設定します。
- バックライトを常に切に設定するには、「バックライト」を「常にオフ」に設定します。

アルバムアートワークを全画面で表示するように iPod を設定するには（曲でアートワークが使用できる場合）：

- 「スピーカー」を選択し、「アルバムアート（大）」を「オン」に設定します。

## ほかのオーディオ装置、または Dock コネクタのない iPod を接続する

iPod Hi-Fi には、デジタル/アナログのオーディオ入力ポートがあります。このポートを使用して、Dock コネクタがない iPod や、CD プレーヤー、ステレオレシーバー、コンピュータなどのオーディオ装置の音楽を再生できます。AirMac Express ベースステーションがある場合は、お使いの iPod Hi-Fi に接続して、別の部屋にあるコンピュータの音楽を再生できます。



オーディオ装置または古い iPod の接続には、標準の 3.5 ミリ・ステレオ・ミニプラグが付いたオーディオケーブルを使います。音質を向上させるために、Mini-Toslink コネクタ付きの光デジタル・オーディオ・ケーブルを使って光デジタルオーディオ装置を接続できます。



3.5 ミリ・ステレオ・ミニプラグ  
(別売)



Mini-Toslink コネクタ付きの光デジタルケーブル  
(別売)

**iPod Hi-Fi でほかのオーディオ装置の音楽を再生するには：**

- 1 オーディオケーブルで、お使いの iPod Hi-Fi のオーディオ入力ポートとオーディオ装置のラインレベルポートまたはヘッドフォンポートを接続します。

**警告：**2V (ボルト) RMS より高い出力で iPod Hi-Fi をほかの装置に接続すると、歪みが発生することがあります。お使いの iPod Hi-Fi は、ほかの装置のスピーカー出力には接続しないでください。iPod Hi-Fi が損傷することがあります。

- 2 装置の電源を入れ、その装置で音楽の再生を開始します。  
詳しくは、装置に付属のマニュアルを参照してください。

再生を iPod からオーディオ入力ポートに接続された装置に切り替えるには：

Dock コネクタ付きの iPod とオーディオ装置が同時に iPod Hi-Fi に接続されている場合は、iPod Hi-Fi ではデフォルトで iPod の音楽が再生されます。

- リモコンの「メニュー」ボタンを押し続けます。ステータスランプが緑に点滅し、iPod が一時停止します。iPod に戻るには、もう一度「メニュー」ボタンを押し続けます。

iPod を取り外して、オーディオ入力ポートに接続された装置に切り替えることもできます。

iPod Hi-Fi を使用してコンピュータのオーディオを再生するには：

- AirMac Express ベースステーションを iPod Hi-Fi に接続して、別の部屋にあるコンピュータのオーディオをワイヤレスでストリーミングできます。  
詳しくは、[www.apple.com/jp/airmacexpress](http://www.apple.com/jp/airmacexpress) を参照してください。
- ほとんどの場合、オーディオケーブルを使用してコンピュータを直接 iPod Hi-Fi に接続することもできます。Mac Pro や MacBook Pro などの光デジタルオーディオが使用可能なコンピュータがある場合は、光デジタルケーブルを使用して接続し、音質を向上させることができます。

## サウンドを調節する

音量を調節するには：

- iPod Hi-Fi の上部または付属のリモコンにある「音量アップ」(+ ) または「音量ダウン」(- ) ボタンを押します。

iPod の一部の新しいモデルでは、iPod クリックホイールを使って音量を調節することもできます。

ステレオレシーバーなど、オーディオ入力ポートの音量コントロールがあるほかのオーディオ装置を接続する場合は、その装置を使って音量を変更することもできます。iPod Hi-Fi でその装置を使うときに、どの音量レベルが最適か試してみてください。

#### イコライザの設定を変更するには：

- iPod で音楽を再生している場合は、iPod で設定を変更します。「設定」 > 「EQ」と選択し、イコライザプリセットを選択します。
- オーディオ入力ポートに接続された装置で音楽を再生している場合は、可能であればその装置でイコライザの設定を変更します。装置に付属のマニュアルを参照してください。

#### 低音域または高音域の音量を上げるには：

iPod の一部の新しいモデルでは、お使いの iPod Hi-Fi の低音域または高音域の音量を上げるように設定することができます。iPod を接続したときにメインメニューに「スピーカー」項目が表示される場合は、この設定を調節できます。

- 「スピーカー」 > 「音色コントロール」と選択し、「Treble Boost」（高音域）、「標準」、または「Bass Boost」（低音域）を選択します。

## Apple Remote を使用する

付属の赤外線リモコンを使って、再生をコントロールできます。リモコンと iPod Hi-Fi の間に障害物がないことを確認してください。

## iPod でリモコンを使用する

iPod Hi-Fi に接続された iPod の音楽を再生するときにリモコンを使用するには、次の手順に従います。

操作	手順
曲を再生する／一時停止する	「再生／一時停止」ボタン (▶  ) を押します。
音量を調節する	「音量アップ」ボタン (+) または「音量ダウン」ボタン (-) を押します。
次の曲を再生する	「次へ／早送り」ボタン (▶▶) を押します。
曲を再開する／前の曲を再生する	曲を再開するときは、「前へ／巻き戻し」ボタン (◀◀) を 1 回押します。前の曲を再生するときは、2 回押します。
曲を早送りする／巻き戻す	「次へ／早送り」ボタン (▶▶) または「前へ／巻き戻し」ボタン (◀◀) を押し続けます。
オーディオ入力ポートに接続された装置に切り替える	「メニュー」ボタンを押し続けます (または、iPod を取り外します)。

参考：リモコンを使用して別のプレイリストに移動することはできません。別のプレイリストを選択する場合は、iPod のコントロールを使用する必要があります。

## ほかのオーディオ装置でリモコンを使用する

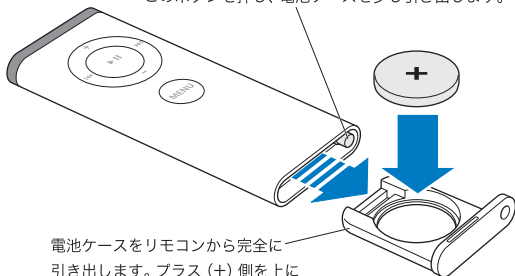
オーディオ入力ポートに接続された装置の音楽を再生するときにリモコンを使用するには、次の手順に従います。

操作	手順
音量を調節する	「音量アップ」ボタン (+) または「音量ダウン」ボタン (-) を押します。(オーディオ装置の音量コントロールを使用することもできます。)
サウンドを消音する/サウンドの消音を解除する	「再生/一時停止」ボタン (▶  ) を押します。
iPod Hi-Fi に接続された iPod に切り替える	「メニュー」ボタンを押し続けます。

## 電池を交換する

リモコンにはボタン電池が含まれます。必要に応じて、ボタン電池 CR2032 と交換できます。

先のとがっていない小さな物（ペーパークリップなど）でこのボタンを押し、電池ケースを少し引き出します。



電池ケースをリモコンから完全に引き出します。プラス (+) 側を上にした状態でボタン電池を交換します。

## iPod Hi-Fi をリモコンに登録する

付属の Apple Remote は、内蔵の赤外線 (IR) レシーバーを搭載する、互換性のあるほかのアップル製品でも使用可能です。付属のリモコンとだけ動作するように iPod Hi-Fi を設定して、ほかの機器のリモコンが iPod Hi-Fi に影響を与えないようにできます。

iPod Hi-Fi と使用するリモコンがほかの機器に影響を与えないように、Apple Remote と互換性のある別の機器をほかの Apple Remote に登録したい場合があります。使用方法については、それらの機器に付属の説明書を参照してください。

**付属のリモコンとだけ動作するように iPod Hi-Fi を設定するには：**

- 1 iPod Hi-Fi を電源コンセントに接続します。

**参考：**iPod Hi-Fi に電池が入っている場合は、コンセントに接続する必要はありません。

- 2 リモコンと互換性のあるほかの製品を有効範囲内に置いていないことを確認し、リモコンを iPod Hi-Fi のそばで (7.5 ~ 10 cm 離します) 持ちます。
- 3 リモコンの「メニュー」ボタンと「次へ/早送り」ボタン (▶) を同時に押し、約 6 秒間押し続けます。ステータスランプが数回緑に点滅します。

これで iPod Hi-Fi が登録したリモコンとだけ動作するようになりました。

**すべての Apple Remote と動作するように iPod Hi-Fi を設定し直すには：**

- 前述の手順 1 と 2 に従います。次に、リモコンの「メニュー」ボタンと「前へ/巻き戻し」(◀) ボタンを同時に押し、約 6 秒間押し続けます。ステータスランプが数回緑に点滅します。

これで iPod Hi-Fi がすべての Apple Remote と動作するようになりました。

## 電池の寿命を延ばす

使っていないときは、iPod Hi-Fi は電池の寿命を延ばすために低電力のスタンバイモードになります。ただし、長期間 iPod Hi-Fi を使う予定がない場合は、電池の寿命をさらに延ばすために電池を取り外すことをお勧めします。電池の交換については、36 ページを参照してください。

**参考：**電源コンセントに接続しないで電池で iPod Hi-Fi を使用しているときに、Dock コネクタで iPod を接続すると、お使いの iPod Hi-Fi の電池から iPod に最低限の充電が行われます。iPod を再生していないときに iPod Hi-Fi の電池の電力を消費したくない場合は、iPod Hi-Fi から iPod を取り外してください。iPod Hi-Fi が電源コンセントに接続されている場合は、iPod のバッテリーは完全に充電されるまで充電されます。

iPod Hi-Fi で発生した問題のほとんどは、この章のアドバイスに従ってすばやく解決できます。

## iPod Hi-Fi で音楽を再生できない／動かない

- 音量が最小に設定されていないことを確認します。ほかのオーディオ装置が接続されている場合は、その装置の音量が最小に設定されていないことを確認します。
- iPod Hi-Fi のコネクタを抜き、約 5 秒間待ってから接続し直します。電源コードの両端のコネクタがしっかりと接続されていることを確認します。
- 電池を使用している場合は、電池が正しく取り付けられていることを確認します。
- iPod およびその他のオーディオ装置が接続されている場合は、目的の装置から再生できるように iPod Hi-Fi が設定されていることを確認します (42 ページを参照)。
- 電池交換が必要な場合があります (36 ページを参照)。

## iPod が動かない

- ホールドスイッチがオフになっていて、iPod が一時停止の状態になっていないことを確認します。
- iPod をリセットします。iPod をお使いの iPod Hi-Fi に接続し、ホールドスイッチをホールドに設定してから、もう一度オフにします。次に、「センター」ボタンと「メニュー」ボタンを同時に押し、Apple ロゴが表示されるまで約 6 秒間押し続けます。



**参考：**Dock コネクタ付きのオリジナル iPod（画面の下に 4 つのボタンがあるモデル）をお使いの場合は、「再生／一時停止」ボタン（▶||）と「メニュー」ボタンを押し続けて、iPod をリセットします。

- 上記の方法がうまくいかないときは、iPod に付属のマニュアルを参照してください。

### リモコンを使用できない

- リモコンが iPod Hi-Fi にまっすぐに向いていることを確認します。
- iPod Hi-Fi の前面にあるリモートセンサー（34 ページを参照）の前に障害物がないことを確認します。
- iPod のコントロールを使って iPod Hi-Fi から音楽を再生できることを確認します。問題の原因がリモコンではない可能性があります。
- リモコンの電池交換が必要な場合があります（45 ページを参照）。
- 複数の Apple Remote があり、お使いの iPod Hi-Fi をそのうちの 1 台と登録している場合は、適切なリモコンを使用していることを確認します。任意の Apple Remote で動作するようにお使いの iPod Hi-Fi を設定する方法については、46 ページを参照してください。

### どの装置を使っても iPod Hi-Fi で音楽を再生できない

- 装置および iPod Hi-Fi の音量が最小に設定されていないことを確認します。
- iPod をお使いの iPod Hi-Fi に接続している場合は、接続を解除するか、ステータスランプが緑に点滅するまでリモコンの「メニュー」ボタンを押し続けます。
- 適切なオーディオケーブルを使用していること（40 ページを参照）、およびケーブルが iPod Hi-Fi と装置にしっかりと接続されていることを確認します。
- 装置の電源が入っていること、および装置が正しく動作していることを確認します。詳しくは、装置に付属のマニュアルを参照してください。

iPod Hi-Fi の使用方法について、Web でさらに情報を見つけることができます。

### 安全にお使いいただくための注意点と通信情報機器に関する規制

安全性および通信情報機器の規制についての重要な情報は、付属の「iPod Hi-Fi 安全性および通信情報機器の規制に関する情報」冊子を参照してください。

### オンライン参考情報

iPod Hi-Fi の最新情報については、[www.apple.com/jp/ipodhifi](http://www.apple.com/jp/ipodhifi) を参照してください。

サービスとサポートに関する情報については、[www.apple.com/jp/support/ipodhifi](http://www.apple.com/jp/support/ipodhifi) を参照してください。

iPod のオンラインチュートリアル、iPod のサービスとサポート情報、および最新のアップルソフトウェアのダウンロードについては、[www.apple.com/jp/support/ipod](http://www.apple.com/jp/support/ipod) を参照してください。

iPod Hi-Fi のユーザ登録をするには、[www.apple.com/jp/register](http://www.apple.com/jp/register) にアクセスしてください。

## 保証サービスを受ける

製品が損傷した場合または正しく機能しない場合は、この冊子、付属の iPod Hi-Fi の安全性に関する冊子、およびオンライン参考情報の指示に従ってください。

それでも問題が解決しない場合は、[www.apple.com/jp/support/ipodhifi](http://www.apple.com/jp/support/ipodhifi) を参照して、保証サービスの利用方法を確認してください。

## iPod Hi-Fi のシリアル番号を確認する

シリアル番号は、iPod Hi-Fi の電池ケース内部にプリントされています。



**iPod Hi-Fi**  
Guide de  
l'utilisateur



# Table des matières

## 57 Chapitre: 1 "Bienvenue"

58 "Vue de face de l'iPod Hi-Fi"

59 "Vue de dos de l'iPod Hi-Fi"

## 60 Chapitre: 2 "Configuration de votre iPod Hi-Fi"

60 "Étape 1 : branchez votre iPod Hi-Fi ou insérez-y les piles"

61 "Étape 2 : connectez votre iPod"

62 "Étape 3 : écoutez de la musique"

## 63 Chapitre: 3 "Utilisation de votre iPod Hi-Fi"

63 "Connexion de l'iPod"

64 "Modification des réglages d'écran de l'iPod"

65 "Connexion d'autres appareils audio ou d'un iPod sans connecteur Dock"

67 "Réglage du son"

69 "Utilisation de la télécommande Apple Remote"

73 "Économie de la pile"

## 74 Chapitre: 4 "Astuces et dépannage"

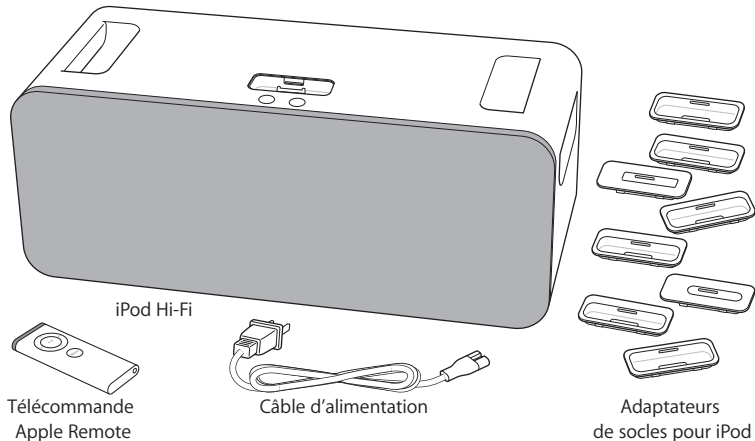
## 76 Chapitre: 5 "En savoir plus, service et assistance"





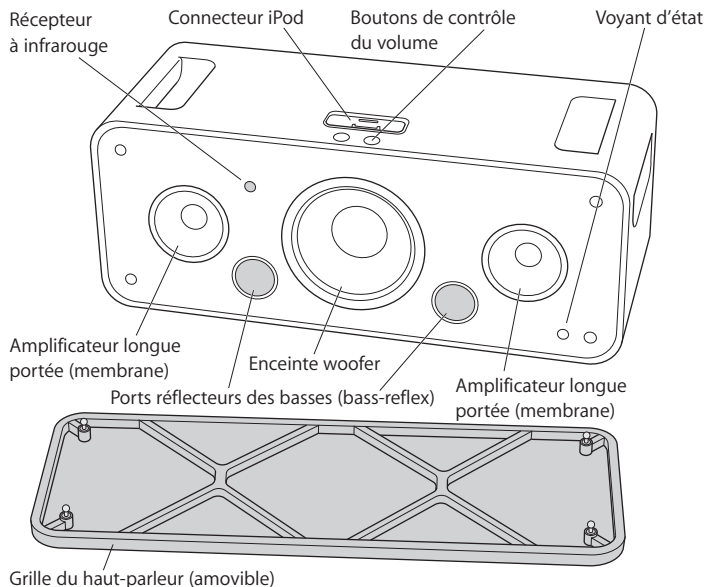
## Apple vous félicite pour l'acquisition de votre iPod Hi-Fi.

Votre iPod Hi-Fi est un système de haut-parleur portable de haute qualité qui vous permet d'écouter de la musique à partir de n'importe quel iPod. Vous pouvez également l'utiliser pour lire des morceaux provenant d'autres appareils audio.



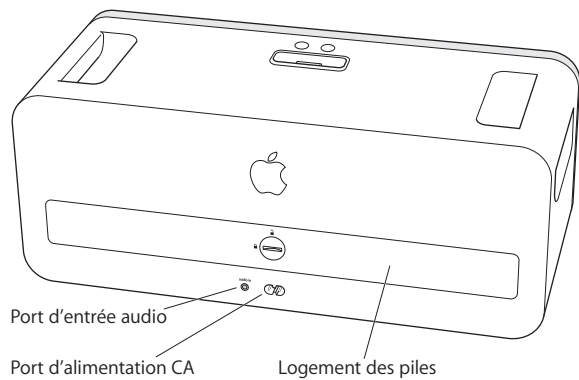
**Remarque :** il est possible que votre câble d'alimentation soit différent de celui qui est illustré ici.

## Vue de face de l'iPod Hi-Fi



**Remarque :** vous pouvez utiliser votre iPod Hi-Fi avec ou sans la grille du haut-parleur. Pour mieux protéger les haut-parleurs, mettez cette grille en place. Pour ne pas abîmer les haut-parleurs, évitez de toucher les membranes.

## Vue de dos de l'iPod Hi-Fi



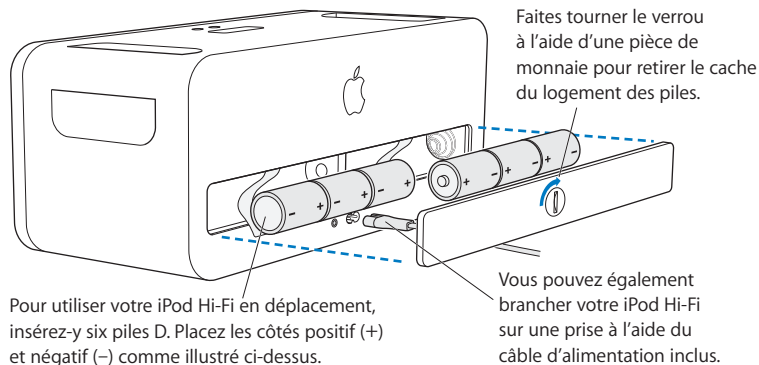
# Configuration de votre iPod Hi-Fi

# 2

En quelques étapes simples, vous pouvez configurer votre iPod Hi-Fi et commencer à écouter de la musique.

## Étape 1 : branchez votre iPod Hi-Fi ou insérez-y les piles

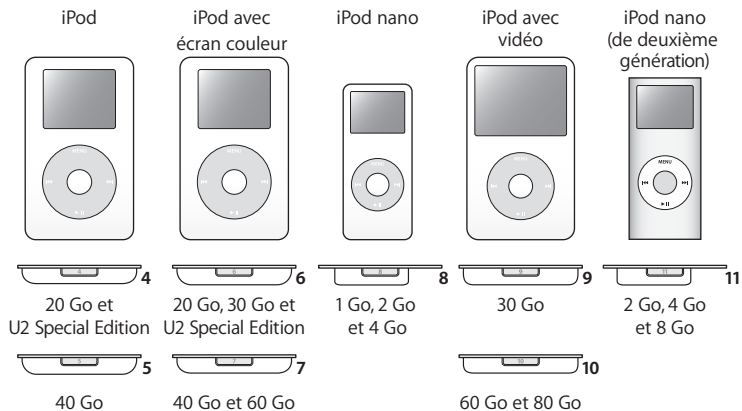
Vous pouvez brancher votre iPod Hi-Fi sur une prise de courant ou bien y insérer six piles D pour l'utiliser en déplacement.



## Étape 2 : connectez votre iPod

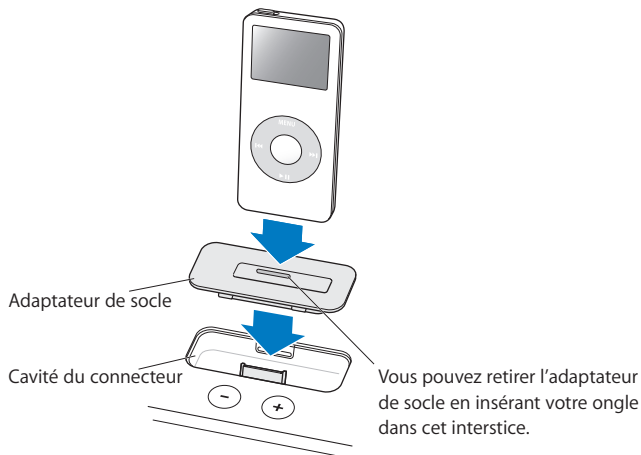
Sélectionnez l'adaptateur de socle qui correspond à votre iPod. Celui-ci doit s'encaster parfaitement dans l'adaptateur qui lui convient.

Le numéro (4–11)  
indique l'iPod  
correspondant



**Remarque :** si aucun adaptateur de socle correspondant à votre modèle d'iPod n'est inclus avec l'iPod Hi-Fi, vous pouvez en acquérir un à l'adresse [www.apple.com/fr/ipodstore](http://www.apple.com/fr/ipodstore). Si votre iPod est plus ancien et qu'il n'est pas pourvu à sa base d'un connecteur Dock, vous pouvez utiliser un câble audio pour le brancher sur le port d'entrée audio (voir la page 65).

Insérez l'adaptateur de socle dans votre iPod Hi-Fi et branchez-y votre iPod. Le voyant d'état de l'iPod Hi-Fi clignote en vert.



### Étape 3 : écoutez de la musique

Recherchez un morceau sur l'iPod, puis appuyez sur Lecture (▶) et appréciez le moment ! Utilisez les boutons de votre iPod Hi-Fi ou de la télécommande Apple Remote (incluse) pour augmenter ou baisser le volume.

Lisez ce chapitre pour apprendre à connecter un iPod à votre iPod Hi-Fi, à y connecter d'autres appareils audio, à régler le son, à utiliser la télécommande Apple Remote, et plus encore.

## Connexion de l'iPod

Vous pouvez connecter n'importe quel iPod à l'iPod Hi-Fi. Si votre iPod est pourvu d'un connecteur Dock, vous pouvez l'insérer dans l'iPod Hi-Fi. Si ce n'est pas le cas, vous pouvez utiliser un câble audio et le brancher sur le port d'entrée audio (voir la page 65).

### **Pour connecter un iPod à l'aide d'un connecteur Dock :**

- Insérez l'adaptateur de socle correspondant à votre iPod puis connectez ce dernier, comme indiqué à la page 62. Le voyant d'état clignote en vert.

Votre iPod Hi-Fi inclut des adaptateurs de socle fonctionnant avec la plupart des modèles d'iPod dotés de connecteurs Dock. Si vous désirez connecter un iPod différent, vous pouvez facilement retirer l'adaptateur de socle de votre iPod Hi-Fi avec votre ongle, insérer l'adaptateur correspondant à l'autre iPod, puis brancher ce dernier.

Si aucun adaptateur de socle correspondant à votre modèle d'iPod n'est inclus avec votre iPod Hi-Fi, vous pouvez en acquérir un à l'adresse [www.apple.com/fr/ipodstore](http://www.apple.com/fr/ipodstore).

## Modification des réglages d'écran de l'iPod

Sur certains modèles d'iPod plus récents, vous avez la possibilité de définir le comportement du rétro-éclairage lorsqu'il est connecté à votre iPod Hi-Fi. Vous pouvez également y définir l'affichage de l'écran En lecture ou d'une illustration d'album. Si un élément Haut-parleurs apparaît dans le menu principal lorsque vous connectez votre iPod, vous êtes alors en mesure de modifier ces réglages.

**Pour définir le comportement du rétro-éclairage, sélectionnez Haut-parleurs, puis suivez les instructions suivantes :**

- *Pour que le rétro-éclairage reste activé pendant que vous écoutez de la musique, réglez-le sur Durant la lecture.*

**Remarque :** ce réglage est le réglage par défaut.

- *Pour faire en sorte que le rétro-éclairage de l'iPod s'active lorsque vous utilisez la télécommande ou les commandes de l'iPod, réglez-le sur « À l'appui sur une touche ».*
- *Pour que le rétro-éclairage soit toujours activé, réglez-le sur Toujours allumé.*
- *Pour que le rétro-éclairage soit toujours désactivé, réglez-le sur Toujours éteint.*

**Pour faire en sorte que votre iPod affiche l'illustration d'album en plein écran (si une illustration est disponible pour ce morceau) :**

- Sélectionnez Haut-parleurs et activez l'option « Grandes pochettes d'album ».



## Connexion d'autres appareils audio ou d'un iPod sans connecteur Dock

Votre iPod Hi-Fi dispose d'un port d'entrée audio numérique/analogique. Il vous permet d'écouter de la musique à partir d'un iPod dépourvu de connecteur Dock ou à partir d'autres appareils audio, comme par exemple un lecteur CD, un récepteur stéréo ou un ordinateur. Si vous disposez d'une borne d'accès AirPort Express, vous pouvez la connecter à l'iPod Hi-Fi et écouter de la musique à partir d'un ordinateur situé dans une autre pièce.

Pour connecter des appareils audio divers ou un modèle d'iPod plus ancien, utilisez un câble audio pourvue d'une fiche stéréo standard de 3,5 mm. Pour obtenir un son de meilleure qualité, vous pouvez connecter un appareil audio numérique optique à l'aide d'un câble spécial doté d'un connecteur Mini-Toslink.



Fiche mini-jack stéréo de 3,5 mm  
(disponible séparément)



Câble numérique optique avec connecteur Mini-Toslink  
(disponible séparément)

**Pour écouter de la musique depuis un autre appareil audio sur votre iPod Hi-Fi :**

- 1 Branchez un câble audio sur le port d'entrée audio de l'iPod Hi-Fi et sur le port de ligne ou port de sortie casque de l'appareil.

**AVERTISSEMENT :** si vous branchez votre iPod Hi-Fi sur un appareil dont la tension de sortie est supérieure à 2V (volts) RMS, des problèmes de distorsion peuvent apparaître. Ne branchez pas l'iPod Hi-Fi sur les sorties haut-parleur d'un autre appareil. Cela pourrait endommager votre iPod Hi-Fi.

- 2 Allumez l'appareil et commencez à écouter de la musique.

Pour obtenir plus d'informations, consultez la documentation fournie avec l'appareil en question.

**Pour basculer la lecture depuis un iPod vers un appareil connecté au port d'entrée audio :**

Si un iPod pourvu d'un connecteur Dock et un appareil audio sont connectés à votre iPod Hi-Fi en même temps, l'iPod Hi-Fi lit par défaut les morceaux de l'iPod.

- Maintenez enfoncé le bouton Menu de la télécommande. Le voyant d'état clignote alors en vert et l'iPod se met en pause. Pour revenir à l'iPod, maintenez de nouveau enfoncé le bouton Menu.

Vous pouvez également retirer votre iPod et basculer ainsi vers un appareil connecté au port d'entrée audio.

**Pour lire des données audio situées sur votre ordinateur à l'aide de l'iPod Hi-Fi :**

- Vous pouvez connecter une borne d'accès AirPort Express à votre iPod Hi-Fi et diffuser des données audio en continu et sans fil à partir d'un ordinateur situé dans une autre pièce. Pour obtenir plus d'informations, rendez-vous sur le site [www.apple.com/fr/airportexpress](http://www.apple.com/fr/airportexpress).
- Dans la plupart des cas, vous pouvez également connecter un ordinateur directement à votre iPod Hi-Fi à l'aide d'un câble audio. Si vous disposez d'un ordinateur doté d'un système audio numérique optique, comme c'est le cas du Mac Pro ou du MacBook Pro, vous pouvez l'y connecter à l'aide d'un câble numérique optique. Cela vous permettra d'obtenir une meilleure qualité acoustique.

## Réglage du son

**Pour régler le volume :**

- Appuyez sur la touche Augmenter le volume (+) ou Baisser le volume (-) en haut de votre iPod Hi-Fi ou sur la télécommande incluse.

Sur les modèles d'iPod les plus récents, vous pouvez également régler le volume à l'aide de la molette cliquable.

Si vous connectez au port d'entrée audio un autre appareil audio disposant de commandes de volume, par exemple un récepteur stéréo, vous pouvez également régler le volume à l'aide de celui-ci. Faites l'essai pour voir quel niveau sonore est le mieux adapté lorsque vous utilisez l'appareil avec votre iPod Hi-Fi.

### **Pour modifier les paramètres de l'égaliseur :**

- Si vous écoutez de la musique sur un iPod, modifiez les réglages sur celui-ci. Sélectionnez Réglages > Égaliseur et choisissez un préréglage d'égaliseur.
- Si vous écoutez de la musique via un appareil connecté au port d'entrée audio, modifiez les réglages de l'égaliseur sur l'appareil, si c'est possible. Consultez la documentation fournie avec l'appareil en question.

### **Pour augmenter les basses ou les aigus :**

Sur certains modèles d'iPod les plus récents, vous pouvez également régler l'iPod Hi-Fi de façon à augmenter les basses ou les aigus. Si un élément Haut-parleurs apparaît dans le menu principal lorsque vous connectez votre iPod, vous êtes alors en mesure de modifier ce réglage.

- Choisissez Haut-parleurs > Contrôle du son, puis sélectionnez Ampl. aigus, Normal ou Ampl. basses.

## Utilisation de la télécommande Apple Remote

Vous pouvez utiliser la télécommande à infrarouge (incluse) pour contrôler la lecture des morceaux. Veillez à ce qu'aucun obstacle ne se trouve entre la télécommande et votre iPod Hi-Fi.

### Utilisation de la télécommande avec l'iPod

Pour vous servir de la télécommande pendant la lecture d'un morceau depuis un iPod connecté à votre iPod Hi-Fi, suivez les instructions ci-dessous.

Pour	Procédez comme suit
Lire un morceau ou le mettre en pause	Appuyez sur le bouton Lecture/Pause (▶  ).
Régler le volume	Appuyez sur le bouton Augmenter le volume (+) ou Baisser le volume (-).
Passer au morceau suivant	Appuyez sur le bouton Suivant/Avance rapide (▶▶).
Redémarrer un morceau ou lire le morceau précédent	Appuyez une fois sur le bouton Précédent/Retour rapide (◀◀) pour redémarrer le morceau. Appuyez deux fois sur ce même bouton pour lire le morceau précédent.
Faire une avance ou un retour rapide sur un morceau	Maintenez enfoncé le bouton Suivant/Avance rapide (▶▶) ou Précédent/Retour rapide (◀◀).
Basculer sur un appareil connecté au port d'entrée audio	Maintenez enfoncé le bouton Menu (ou retirez l'iPod).

**Remarque :** la télécommande ne vous permet pas de passer à une autre liste de lecture. Vous devez utiliser les commandes de l'iPod pour changer de liste de lecture

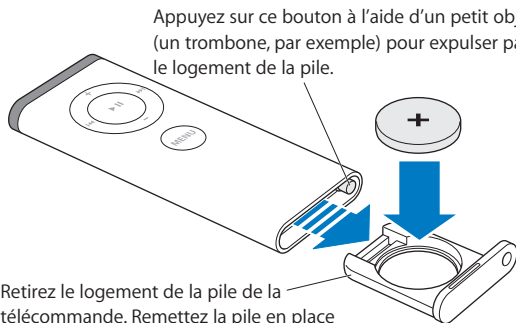
## Utilisation de la télécommande avec un autre appareil audio

Pour vous servir de la télécommande pendant la lecture d'un morceau depuis un appareil connecté au port d'entrée audio, suivez les instructions ci-dessous.

Pour	Procédez comme suit
Régler le volume	Appuyez sur le bouton Augmenter le volume (+) ou Baisser le volume (-). (Vous pouvez également utiliser les commandes de volume de l'appareil audio.)
Activer ou couper le son	Appuyez sur le bouton Lecture/Pause (▶  ).
Basculer sur un iPod connecté à votre iPod Hi-Fi	Maintenez enfoncé le bouton Menu.

## Changement de la pile

La télécommande est pourvue d'une pile. Lorsque cela s'avère nécessaire, vous pouvez la remplacer par une pile CR2032.



## Jumelage de votre iPod Hi-Fi avec la télécommande

La télécommande Apple Remote incluse fonctionne avec les autres produits compatibles Apple équipés d'un récepteur à infrarouge intégré. Vous pouvez régler votre appareil iPod Hi-Fi de manière à ce qu'il fonctionne uniquement avec la télécommande incluse ; ainsi, celles des autres appareils n'affectent pas votre iPod Hi-Fi.

Si vous le souhaitez, vous pouvez jumeler les autres appareils compatibles dont vous disposez avec d'autres télécommandes Apple Remote afin que celle que vous utilisez avec votre iPod Hi-Fi n'affecte pas ces appareils. Pour obtenir plus d'informations, consultez la documentation fournie avec les appareils en question.

### Pour régler votre iPod Hi-Fi de manière à ce qu'il fonctionne uniquement avec la télécommande incluse :

- 1 Branchez l'iPod Hi-Fi sur une prise de courant.

*Remarque* : si des piles sont insérées votre iPod Hi-Fi, ce n'est pas nécessaire.

- 2 Assurez-vous que les autres produits compatibles avec la télécommande ne se trouvent pas dans son rayon de détection et placez la télécommande près de votre iPod Hi-Fi (à environ 7 à 10 cm de distance).
- 3 Maintenez enfoncés les boutons Menu et Suivant/Avance rapide (▶▶) de la télécommande pendant environ six secondes. Le voyant d'état clignote en vert plusieurs fois. Votre iPod Hi-Fi fonctionne désormais avec la télécommande jumelée uniquement.



Pour réinitialiser l'iPod Hi-Fi de manière à ce qu'il fonctionne avec n'importe quelle télécommande Apple Remote :

- Suivez les étapes 1 et 2 décrites ci-dessus. Maintenez ensuite les boutons Menu et Précédent/Retour rapide (⏮) de la télécommande enfoncés pendant environ six secondes. Le voyant d'état clignote en vert plusieurs fois.

Votre iPod Hi-Fi fonctionne désormais avec n'importe quelle télécommande Apple Remote.

## Économie de la pile

Lorsqu'il n'est pas en service, votre iPod Hi-Fi passe en mode réserve à faible puissance pour économiser la pile. Néanmoins, si vous ne comptez pas utiliser votre iPod Hi-Fi pendant un certain temps, vous avez la possibilité de retirer les piles pour prolonger encore plus leur durée de vie. Pour obtenir des informations au sujet des piles, reportez-vous à la page 60.

**Remarque :** si vous utilisez l'iPod Hi-Fi avec des piles (et non pas en le branchant sur une prise de courant) et que vous y connectez un iPod doté d'un connecteur Dock, les piles de votre iPod Hi-Fi fourniront une charge minimum à cet iPod. Si vous ne voulez pas que les piles de votre iPod Hi-Fi dépendent de l'énergie lorsque l'iPod n'est pas en état de marche, retirez l'iPod de votre iPod Hi-Fi. Si votre iPod Hi-Fi est branché sur une prise de courant, la batterie de l'iPod se recharge jusqu'à être entièrement chargée.

La plupart des problèmes survenant avec votre iPod Hi-Fi peuvent être rapidement résolus en suivant les conseils exposés dans ce chapitre.

**Si votre iPod Hi-Fi ne lit pas la musique ou ne répond plus :**

- Assurez-vous que le volume n'est pas au niveau le plus bas. Si un autre appareil audio est connecté, assurez-vous que le volume de cet appareil n'est pas au niveau le plus bas.
- Déconnectez votre iPod Hi-Fi, patientez environ cinq secondes et reconnectez-le. Vérifiez que les deux extrémités du câble d'alimentation sont correctement enfoncés.
- Si vous utilisez des piles, vérifiez qu'elles sont insérées correctement.
- Si un iPod et un autre appareil audio sont connectés, assurez-vous que votre iPod Hi-Fi est réglé de manière à lire sur l'appareil souhaité (voir la page 66).
- Il est peut-être nécessaire de changer les piles (voir la page 60).

**Si votre iPod ne répond plus :**

- Assurez-vous que le bouton Hold est désactivé et que votre iPod n'est pas en pause.
- Réinitialisez l'iPod. Connectez-le à votre iPod Hi-Fi, activez le bouton Hold et désactivez-le à nouveau. Puis maintenez enfoncé les boutons Menu et central pendant environ six secondes, jusqu'à ce que le logo Apple apparaisse.

**Remarque :** si vous disposez d'un iPod original pourvu d'un connecteur Dock (avec quatre boutons sous l'écran), maintenez enfoncés les boutons Lecture/Pause (▶||) et Menu pour le réinitialiser.

- Si cela ne fonctionne pas, consultez la documentation fournie avec votre iPod pour en savoir plus.

**Si la télécommande ne fonctionne pas :**

- Veillez à bien diriger la télécommande directement vers votre iPod Hi-Fi.
- Vérifiez que le capteur de télécommande du panneau frontal de votre iPod Hi-Fi (voir la page 58) est accessible.
- Vérifiez que vous pouvez écouter de la musique via votre iPod Hi-Fi à l'aide des commandes de l'iPod. Il est possible que le problème ne provienne pas de la télécommande.
- Il est peut-être nécessaire de changer les piles de la télécommande (voir la page 71).
- Si vous possédez plusieurs télécommandes Apple Remote et que vous avez jumelé votre iPod Hi-Fi avec l'une d'elles, vérifiez que vous utilisez la télécommande correcte. Pour obtenir des instructions sur la configuration de votre iPod Hi-Fi en vue d'utiliser une télécommande Apple Remote quelconque, reportez-vous à la page 72.

**Si votre iPod Hi-Fi ne lit pas la musique provenant d'un autre appareil :**

- Vérifiez que le volume de l'appareil et celui de votre iPod Hi-Fi n'est pas au niveau le plus bas.
- Si un iPod est branché à votre iPod Hi-Fi, déconnectez-le ou maintenez enfoncé le bouton Menu de la télécommande jusqu'à ce que le voyant d'état clignote en vert.
- Assurez-vous que vous utilisez le bon câble audio (voir la page 65) et qu'il est parfaitement branché sur votre iPod Hi-Fi et sur l'appareil.
- Vérifiez que l'appareil est allumé et qu'il fonctionne correctement. Pour obtenir plus d'informations, consultez la documentation fournie avec l'appareil en question.

Vous trouverez de plus amples informations sur l'utilisation de votre iPod Hi-Fi sur le web.

### Réglementation en matière de télécommunications et de sécurité

Pour connaître les informations importantes concernant la réglementation en matière de télécommunications et de sécurité, consultez le fascicule relatif à l'iPod Hi-Fi intitulé « Informations sur la réglementation en matière de télécommunications et de sécurité » (inclus).

### Ressources en ligne

Pour obtenir les informations les plus récentes sur l'iPod Hi-Fi, rendez-vous sur [www.apple.com/fr/ipodhifi](http://www.apple.com/fr/ipodhifi).

Pour obtenir des informations sur le service et l'assistance, rendez-vous sur [www.apple.com/fr/support/ipodhifi](http://www.apple.com/fr/support/ipodhifi).

Pour obtenir un guide d'initiation en ligne sur l'iPod, des informations concernant le service et l'assistance iPod et les téléchargements des logiciels Apple les plus récents, rendez-vous sur [www.apple.com/fr/support/ipod](http://www.apple.com/fr/support/ipod).

Pour enregistrer votre iPod Hi-Fi, rendez-vous sur [www.apple.com/register](http://www.apple.com/register).

## Obtention du service assuré par garantie

S'il apparaît que le produit est endommagé ou qu'il ne fonctionne pas correctement, veuillez suivre les conseils de ce livret, du fascicule de sécurité iPod Hi-Fi inclus et des ressources proposées en ligne.

Si l'appareil ne fonctionne toujours pas, allez sur [www.apple.com/fr/support/ipodhifi](http://www.apple.com/fr/support/ipodhifi) pour obtenir des instructions au sujet de la garantie.

## Recherche du numéro de série de votre iPod Hi-Fi

Le numéro de série est imprimé à l'intérieur du logement de la pile de votre iPod Hi-Fi.



**iPod Hi-Fi**  
Manual del  
usuario





# Contenido

- 83 **Capítulo: 1 “Bienvenido”**
- 84 “iPod Hi-Fi: vista frontal”
- 85 “iPod Hi-Fi: vista posterior”
  
- 86 **Capítulo: 2 “Configuración del iPod Hi-Fi”**
- 86 “Paso 1: enchufe el iPod Hi-Fi o inserte las pilas”
- 87 “Paso 2: conecte el iPod”
- 88 “Paso 3: reproduzca música”
  
- 89 **Capítulo: 3 “Uso del iPod Hi-Fi”**
- 89 “Cómo conectar el iPod”
- 90 “Cómo cambiar los ajustes de pantalla del iPod”
- 91 “Cómo conectar otros dispositivos de audio o un iPod sin conector para base de conexión”
- 93 “Cómo ajustar el sonido”
- 94 “Uso del mando a distancia Apple Remote”
- 98 “Cómo ahorrar energía al utilizar las pilas”
  
- 99 **Capítulo: 4 “Consejos y solución de problemas”**
  
- 102 **Capítulo: 5 “Más información, servicio técnico y soporte”**

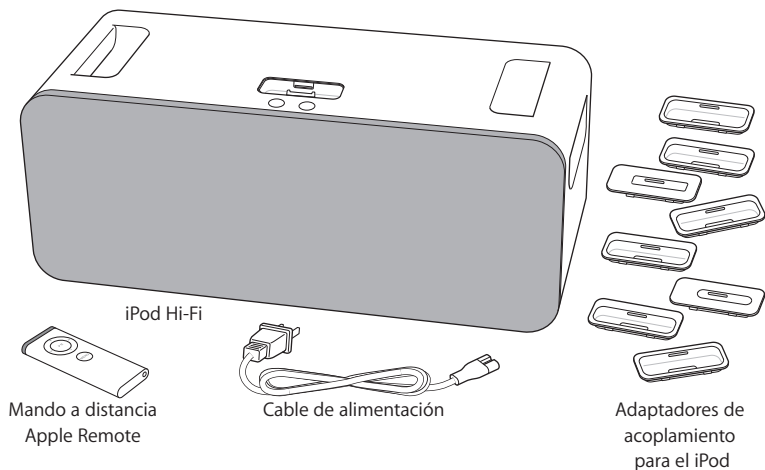


# Bienvenido

# 1

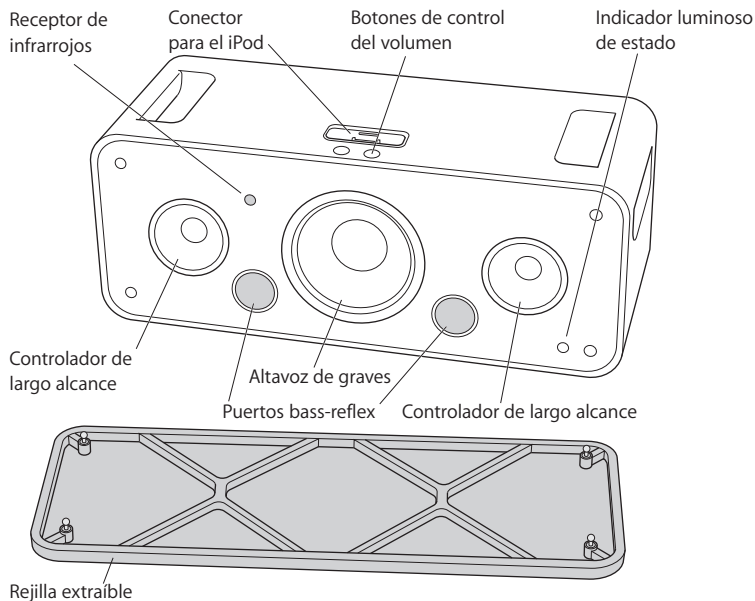
## Enhorabuena por la adquisición de su nuevo iPod Hi-Fi.

El iPod Hi-Fi es un sistema de altavoces portátil de alta calidad que permite reproducir la música de cualquier iPod, así como de otros dispositivos de audio.



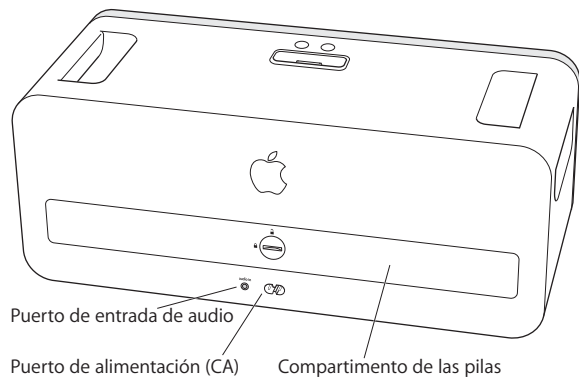
**Nota:** El cable de alimentación puede ser ligeramente distinto del que se muestra en la imagen.

## iPod Hi-Fi: vista frontal



**Nota:** Puede utilizar el iPod Hi-Fi con o sin la rejilla de los altavoces. Con la rejilla, los altavoces quedan más protegidos. Para evitar dañar los altavoces, no toque los conos.

## iPod Hi-Fi: vista posterior



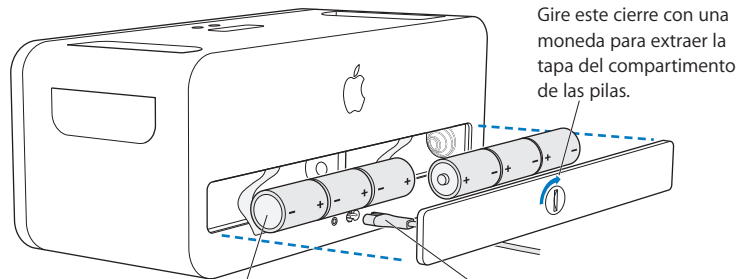
# Configuración del iPod Hi-Fi

# 2

Puede configurar el iPod Hi-Fi y empezar a escuchar música realizando estos sencillos pasos.

## Paso 1: enchufe el iPod Hi-Fi o inserte las pilas

Puede enchufar el iPod Hi-Fi a la corriente o bien insertar seis pilas de tipo D para utilizarlo vaya a donde vaya.



Para poder llevar el iPod Hi-Fi vaya a donde vaya, introduzca seis pilas de tipo D. Coloque los polos positivos (+) y negativos (-) de las pilas tal como se muestra en esta imagen.

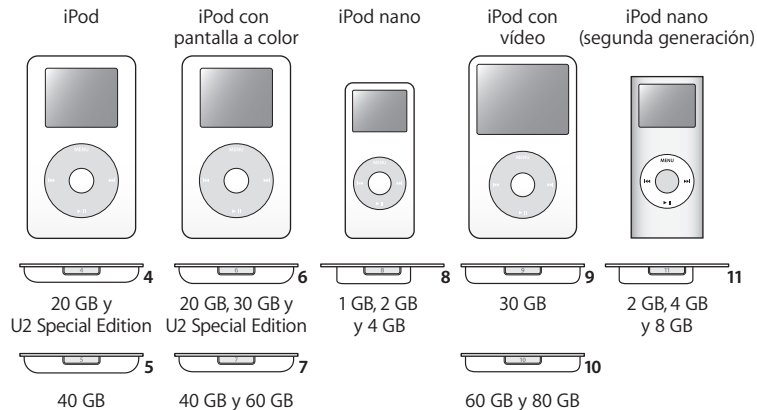
Gire este cierre con una moneda para extraer la tapa del compartimento de las pilas.

También puede enchufar el iPod Hi-Fi a una toma de corriente mediante el cable de alimentación incluido.

## Paso 2: conecte el iPod

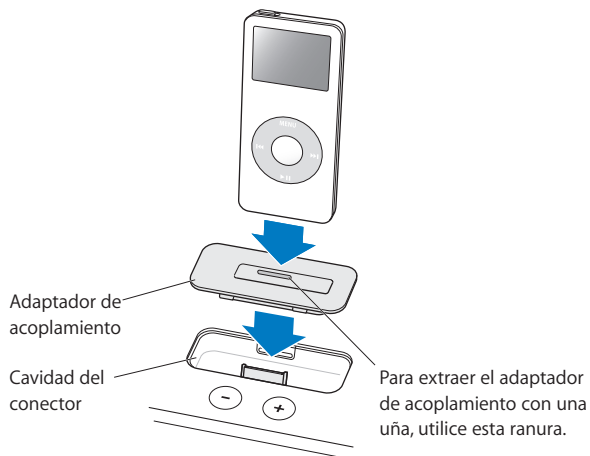
Seleccione el adaptador de acoplamiento que corresponda a su iPod. El iPod encajará cómodamente en el adaptador adecuado.

Los números (4–11) indican el modelo de iPod al que corresponde cada adaptador



**Nota:** Si el iPod Hi-Fi no incluye un adaptador de acoplamiento para su modelo de iPod, puede adquirir uno en [www.apple.com/es/ipodstore](http://www.apple.com/es/ipodstore). Si tiene un iPod antiguo que no incorpora un conector para base de conexión en la parte inferior, puede utilizar un cable de audio para conectarlo al puerto de entrada de audio (consulte la página 91).

Inserte el adaptador de acoplamiento en el iPod Hi-Fi y conecte el iPod. El indicador luminoso de estado del iPod Hi-Fi emitirá una luz verde intermitente.



### Paso 3: reproduzca música

Busque una canción en el iPod y pulse el botón de reproducción (▶||) para empezar a escuchar música. Utilice los botones del iPod Hi-Fi o del mando a distancia Apple Remote que se incluye cuando desee subir o bajar el volumen.



En este capítulo encontrará información acerca de cómo conectar el iPod al iPod Hi-Fi, cómo conectar otros dispositivos de audio, cómo ajustar el sonido y cómo utilizar el mando a distancia Apple Remote, entre otras cosas.

## Cómo conectar el iPod

Puede conectar cualquier modelo de iPod al iPod Hi-Fi. Si su iPod posee un conector para base de conexión, puede insertarlo en el iPod Hi-Fi. Si tiene un iPod sin conector para base de conexión, puede utilizar un cable de audio para conectarlo al puerto de entrada de audio (consulte la página 91).

### **Para conectar un iPod con conector para base de conexión:**

- Inserte el adaptador de acoplamiento adecuado para su iPod y, a continuación, conecte el iPod tal como se ilustra en la página 88. El indicador luminoso de estado emitirá una luz verde intermitente.

Su iPod Hi-Fi incluye adaptadores de acoplamiento que funcionan con la mayoría de los modelos de iPod equipados con conectores para base de conexión. Si desea conectar un iPod distinto, puede quitar fácilmente el adaptador de acoplamiento del iPod Hi-Fi con una uña y, a continuación, insertar el adaptador adecuado para el otro iPod y conectarlo.

Si el iPod Hi-Fi no incluye un adaptador de acoplamiento para su modelo de iPod, puede adquirir uno en [www.apple.com/es/ipodstore](http://www.apple.com/es/ipodstore).

## Cómo cambiar los ajustes de pantalla del iPod

Algunos de los modelos más recientes de iPod permiten determinar el comportamiento de la luz de retroiluminación de la pantalla cuando el iPod está conectado al iPod Hi-Fi. Asimismo, puede seleccionar si desea visualizar la pantalla “Ahora suena” o bien la ilustración del álbum que esté escuchando. Podrá cambiar estos ajustes si aparece la opción Altavoces en el menú principal del iPod cuando lo haya conectado.

**Para establecer el comportamiento de la luz de retroiluminación del iPod, seleccione Altavoces y siga estas instrucciones:**

- *Para que la luz permanezca encendida durante la reproducción de música*, seleccione Luz > Al reproducir.

**Nota:** Este es el ajuste por omisión.

- *Para que la luz se encienda al utilizar el mando a distancia o los controles del iPod*, seleccione Luz > Al pulsar una tecla.
- *Para que la luz permanezca siempre encendida*, seleccione Luz > Siempre activada.
- *Para que la luz esté siempre apagada*, seleccione Luz > Siempre desactivada.

**Para que en la pantalla del iPod se visualice la ilustración del álbum (si hay alguna disponible para la canción que esté escuchando):**

- Seleccione Altavoces y elija “Ilustración grande” > Sí.

## Cómo conectar otros dispositivos de audio o un iPod sin conector para base de conexión

Su iPod Hi-Fi incorpora un puerto de entrada de audio digital/analógico. Puede utilizar este puerto para reproducir música de un iPod que no disponga de conector para base de conexión o de otros dispositivos de audio, como un reproductor de discos CD, un receptor estéreo o un ordenador. Si dispone de una estación base AirPort Express, puede conectarla al iPod Hi-Fi y reproducir música de un ordenador situado en otra habitación.

Puede conectar dispositivos de audio o un modelo antiguo de iPod utilizando un cable de audio equipado con un miniconector estéreo de 3,5 milímetros. Si desea disfrutar de un sonido de mejor calidad, puede conectar un dispositivo de audio digital óptico mediante un cable de audio digital óptico con un conector Mini-Toslink.



Miniconector estéreo de 3,5 mm  
(disponible por separado)



Cable digital óptico con conector Mini-Toslink  
(disponible por separado)

### **Para reproducir música de otro dispositivo de audio a través del iPod Hi-Fi:**

- 1 Conecte un cable de audio al puerto de entrada de audio del iPod Hi-Fi y a un puerto de nivel de línea o de auriculares del dispositivo.

**ADVERTENCIA:** El sonido puede verse distorsionado si conecta el iPod Hi-Fi a un dispositivo con una potencia de salida superior a 2 voltios RMS. No conecte el iPod Hi-Fi a las salidas de altavoces de otro dispositivo. Podría dañar el iPod Hi-Fi.

- 2 Encienda el dispositivo y empiece a reproducir música.

Consulte la documentación del dispositivo para obtener más información.

### **Para pasar de escuchar la reproducción del iPod a escuchar la de un dispositivo conectado al puerto de entrada de audio:**

Si tiene conectados al iPod Hi-Fi simultáneamente un iPod con conector para base de conexión y un dispositivo de audio, el iPod Hi-Fi reproducirá por omisión la música del iPod.

- Mantenga pulsado el botón Menú del mando a distancia. La luz del indicador luminoso de estado parpadeará en verde y el iPod se pondrá en pausa. Para volver a escuchar el iPod, mantenga pulsado el botón Menú de nuevo.

También puede desconectar el iPod para escuchar el dispositivo conectado al puerto de entrada de audio.

### **Para reproducir audio de un ordenador a través del iPod Hi-Fi:**

- Puede conectar una estación base AirPort Express al iPod Hi-Fi y transmitir audio de forma inalámbrica desde un ordenador situado en otra habitación.  
Para más información, visite [www.apple.com/es/airportexpress](http://www.apple.com/es/airportexpress).

- En la mayoría de los casos, también podrá conectar un ordenador directamente al iPod Hi-Fi mediante un cable de audio. Si dispone de un ordenador equipado con un puerto de audio digital óptico, como un Mac Pro o un MacBook Pro, podrá conectarlo mediante un cable digital óptico para obtener un sonido de mayor calidad.

## Cómo ajustar el sonido

### Para ajustar el volumen del sonido:

- Pulse el botón para subir el volumen (+) o para bajarlo (-) de la parte superior del iPod Hi-Fi o del mando a distancia incluido.

En algunos de los modelos más recientes de iPod, también puede ajustar el volumen mediante la rueda pulsable del iPod.

Si conecta al puerto de entrada de audio otro dispositivo de audio que incorpore sus propios controles de volumen, como un receptor estéreo, también podrá regular el volumen utilizando dichos controles. Vaya probando hasta que encuentre el nivel de volumen más adecuado para utilizar el dispositivo con el iPod Hi-Fi.

### Para cambiar los ajustes del ecualizador:

- Si está reproduciendo música a través de un iPod, cambie los ajustes del iPod. Seleccione Ajustes > EQ y elija un preajuste de ecualización.
- Si está reproduciendo música a través de un dispositivo conectado al puerto de entrada de audio, cambie los ajustes del ecualizador del dispositivo, si es posible. Consulte la documentación que venía con el dispositivo.

### Para amplificar los graves o los agudos:

En algunos de los modelos más recientes de iPod, también puede ajustar el iPod Hi-Fi para que amplifique los graves o los agudos. Podrá cambiar este ajuste si aparece la opción Altavoces en el menú principal del iPod cuando lo haya conectado.

- Seleccione Altavoces > “Control de tono” y, a continuación, elija “Amplificar agudos”, “Normal” o “Amplificar graves”.

## Uso del mando a distancia Apple Remote

Puede utilizar el mando a distancia por infrarrojos que se incluye para controlar la reproducción. Compruebe que no haya obstáculos entre el mando a distancia y el iPod Hi-Fi.

### Cómo utilizar el mando a distancia con el iPod

Para utilizar el mando a distancia durante la reproducción de música de un iPod conectado al iPod Hi-Fi, siga las instrucciones que figuran a continuación.

Para	Haga esto
Reproducir una canción o ponerla en pausa	Pulse el botón de reproducción/pausa (▶  ).
Ajustar el volumen	Pulse el botón para subir el volumen (+) o para bajarlo (-).
Pasar a la canción siguiente	Pulse el botón de avance rápido/siguiente (▶▶).
Volver a iniciar la reproducción de una canción o reproducir la canción anterior	Pulse el botón de retroceso/anterior (◀◀) una vez para volver a iniciar la reproducción de una canción. Púlselo dos veces para reproducir la canción anterior.
Avanzar o retroceder rápidamente por una canción	Mantenga pulsado el botón de avance rápido/siguiente (▶▶) o de retroceso/anterior (◀◀).
Pasar a escuchar un dispositivo conectado al puerto de entrada de audio	Mantenga pulsado el botón Menú (o desconecte el iPod).

**Nota:** No puede utilizar el mando a distancia para pasar a otra lista de reproducción. Para seleccionar otra lista, deberá utilizar los controles del iPod.

## Cómo utilizar el mando a distancia con otro dispositivo de audio

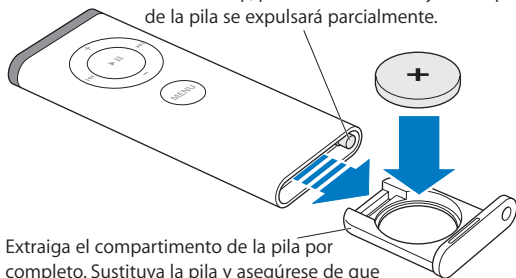
Para utilizar el mando a distancia durante la reproducción de música de un dispositivo conectado al puerto de entrada de audio del iPod Hi-Fi, siga las instrucciones que figuran a continuación.

Para	Haga esto
Ajustar el volumen	Pulse el botón para subir el volumen (+) o para bajarlo (-). (También puede utilizar los controles de volumen del dispositivo de audio.)
Desactivar o activar el sonido	Pulse el botón de reproducción/pausa (▶  ).
Pasar a escuchar un iPod conectado al iPod Hi-Fi	Mantenga pulsado el botón Menú.

## Sustitución de la pila

El mando a distancia lleva una pequeña pila. Cuando sea necesario, deberá sustituirla por una pila CR2032.

Con un objeto pequeño que no esté muy afilado, como un clip, presione este botón y el compartimento de la pila se expulsará parcialmente.



Extraiga el compartimento de la pila por completo. Sustituya la pila y asegúrese de que el polo positivo (+) queda orientado hacia arriba.

## Cómo enlazar el iPod Hi-Fi con el mando a distancia

El mando a distancia Apple Remote que viene incluido funciona con otros productos de Apple compatibles que estén equipados con un receptor de infrarrojos. Puede configurar el iPod Hi-Fi para que solo pueda controlarse con el mando incluido, de forma que los mandos de otros dispositivos no interfieran en el funcionamiento del iPod Hi-Fi.

Si lo desea, puede establecer un enlace entre los demás dispositivos compatibles con el mando Apple Remote y otros mandos a distancia Apple Remote de manera que el mando que utilice con el iPod Hi-Fi no afecte a dichos dispositivos. Consulte la documentación de cada dispositivo para obtener más información al respecto.



**Para que el iPod Hi-Fi pueda controlarse únicamente con el mando a distancia incluido:**

- 1 Conecte el iPod Hi-Fi a una toma eléctrica.

**Nota:** Si su iPod Hi-Fi utiliza pilas, no será necesario que lo conecte a una toma de corriente.

- 2 Compruebe que los demás productos compatibles con el mando a distancia no estén situados en el radio de acción del mando, y sostenga el mando a distancia cerca del iPod Hi-Fi (a unos 7 o 10 cm de distancia).
- 3 Mantenga pulsado el botón Menú y el botón de avance rápido/siguiente (▶▶) del mando a distancia simultáneamente durante unos seis segundos. La luz del indicador luminoso de estado parpadeará en verde varias veces.

Ahora el iPod Hi-Fi funciona solo con el mando a distancia enlazado.

**Para reconfigurar el iPod Hi-Fi de forma que pueda utilizarlo con todos los mandos Apple Remote:**

- Siga los pasos 1 y 2 anteriores. A continuación, mantenga pulsado el botón Menú y el botón de retroceso/anterior (◀◀) del mando a distancia simultáneamente durante unos seis segundos. La luz del indicador luminoso de estado parpadeará en verde varias veces. El iPod Hi-Fi funciona ahora con todos los mandos a distancia Apple Remote.

## Cómo ahorrar energía al utilizar las pilas

Cuando no lo utilice, el iPod Hi-Fi entrará en modo de bajo consumo para ahorrar batería. Sin embargo, si no va a utilizar el iPod Hi-Fi durante un largo periodo de tiempo, es aconsejable extraer las pilas para evitar así que se reduzca su carga. Si desea obtener información acerca de cómo cambiar las pilas, consulte la página 86.

**Nota:** Si utiliza el iPod Hi-Fi con pilas, sin enchufarlo a la corriente, y conecta un iPod con conector para base de conexión, las pilas del iPod Hi-Fi proporcionarán una carga mínima al iPod. Si no desea que las pilas del iPod Hi-Fi se gasten si el iPod no está reproduciendo música, desconecte el iPod del iPod Hi-Fi. Si el iPod Hi-Fi está conectado a una toma eléctrica, la batería del iPod se cargará hasta alcanzar el nivel máximo.

La mayoría de los problemas que pueden aparecer con el iPod Hi-Fi pueden solucionarse rápidamente siguiendo las recomendaciones que se proporcionan en este capítulo.

**Si el iPod Hi-Fi no reproduce música o no responde:**

- Compruebe que el volumen no esté al mínimo. Si tiene conectado otro dispositivo de audio, asegúrese de que el volumen de dicho dispositivo no esté al mínimo.
- Desconecte el iPod Hi-Fi, espere unos cinco segundos y vuelva a conectarlo. Compruebe que los conectores de los dos extremos del cable de alimentación estén enchufados correctamente.
- Si está utilizando pilas, asegúrese de haberlas colocado correctamente.
- Si hay un iPod y otro dispositivo de audio conectados al mismo tiempo, compruebe que el iPod Hi-Fi esté configurado para reproducir el dispositivo deseado (consulte la página 92).
- Es probable que deba sustituir las pilas (consulte la página 86).

### **Si el iPod no responde:**

- Compruebe que el interruptor de bloqueo Hold esté desactivado y que el iPod no esté en pausa.
- Reinicie el iPod. Conecte el iPod al iPod Hi-Fi, ajuste el interruptor de bloqueo Hold a la posición de bloqueo y después a la posición de desbloqueo. A continuación, mantenga pulsado el botón central y el botón Menú durante unos seis segundos, hasta que aparezca el logotipo de Apple.

**Nota:** Si dispone de un iPod original equipado con un conector para base de conexión (con cuatro botones bajo la pantalla), mantenga pulsado el botón de reproducción/pausa (▶||) y el botón Menú para reiniciar el iPod.

- Si el problema no se resuelve, consulte la documentación que venía con el iPod para obtener más información.

### **Si el mando a distancia no funciona:**

- Recuerde que debe apuntar con el mando directamente al iPod Hi-Fi.
- Compruebe que el sensor situado en el panel frontal del iPod Hi-Fi (consulte la página 84) no esté bloqueado por algún objeto.
- Asegúrese de que puede reproducir música a través del iPod Hi-Fi utilizando los controles del iPod. Es posible que el problema no esté relacionado con el mando a distancia.
- Es probable que deba sustituir la pila del mando (consulte la página 96).
- Si tiene más de un mando Apple Remote y ha enlazado el iPod Hi-Fi con uno de ellos, asegúrese de estar utilizando el mando adecuado. Si desea obtener instrucciones sobre cómo configurar el iPod Hi-Fi para que pueda controlarse con cualquier mando Apple Remote, consulte la página 97.

**Si el iPod Hi-Fi no reproduce música de otro dispositivo:**

- Compruebe que el volumen del dispositivo y del iPod Hi-Fi no esté al mínimo.
- Si tiene un iPod conectado al iPod Hi-Fi, desconéctelo, o bien mantenga pulsado el botón Menú del mando a distancia hasta que la luz del indicador luminoso de estado parpadee en verde.
- Compruebe que está utilizando el cable de audio adecuado (consulte la página 91) y que lo ha conectado firmemente al iPod Hi-Fi y al dispositivo.
- Asegúrese de que el dispositivo está encendido y funciona correctamente. Consulte la documentación del dispositivo para obtener más información.

# Más información, servicio técnico y soporte

# 5

En Internet encontrará mucha más información sobre el iPod Hi-Fi.

## Seguridad y normativa

Consulte el manual “Información sobre seguridad y normativa de las comunicaciones” del iPod Hi-Fi para obtener información importante sobre seguridad y normativa aplicable.

## Recursos de Internet

Si desea conocer la información más reciente sobre el iPod Hi-Fi, visite [www.apple.com/es/ipodhifi](http://www.apple.com/es/ipodhifi).

Para obtener información sobre el servicio técnico y de soporte, visite [www.apple.com/es/support/ipodhifi](http://www.apple.com/es/support/ipodhifi).

Para acceder a las lecciones interactivas sobre el funcionamiento del iPod, consultar información acerca del servicio técnico y de soporte del iPod, y obtener las descargas de software de Apple más recientes, visite [www.apple.com/es/support/ipod](http://www.apple.com/es/support/ipod).

Para registrar su iPod Hi-Fi, visite [www.apple.com/register](http://www.apple.com/register).

## Obtención de servicios técnicos en garantía

Si el producto parece estar dañado o no funciona correctamente, siga las instrucciones que aparecen en este manual, en la guía de seguridad del iPod Hi-Fi o en los diversos recursos disponibles en Internet.

Si la unidad sigue sin funcionar, visite [www.apple.com/es/support/ipodhifi](http://www.apple.com/es/support/ipodhifi) para obtener instrucciones acerca de cómo obtener el servicio técnico en garantía.

## Cómo localizar el número de serie del iPod Hi-Fi

El número de serie está impreso en el interior del compartimento de las pilas del iPod Hi-Fi.

