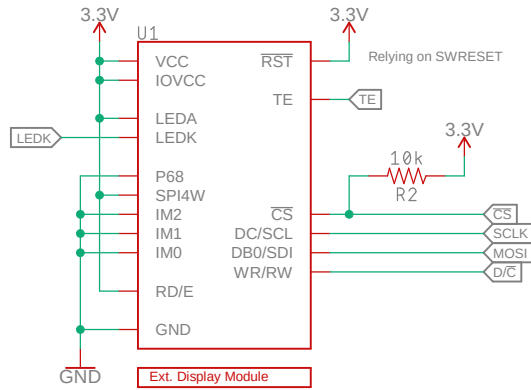
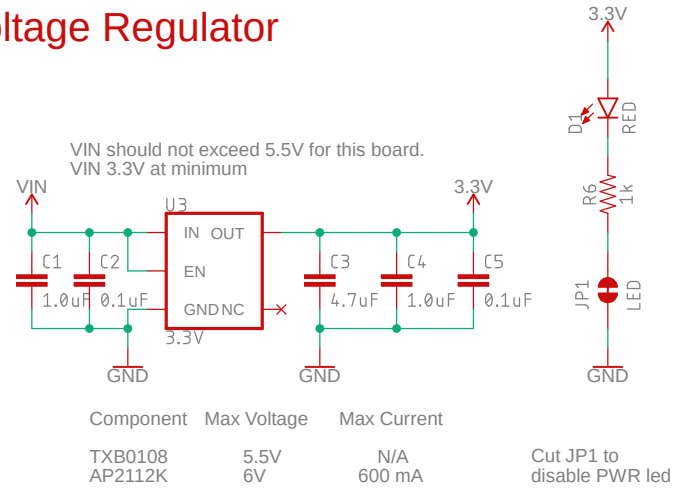


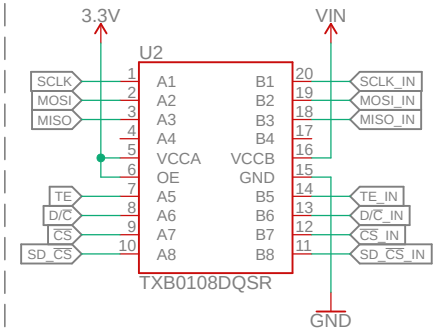
## TFT LCD



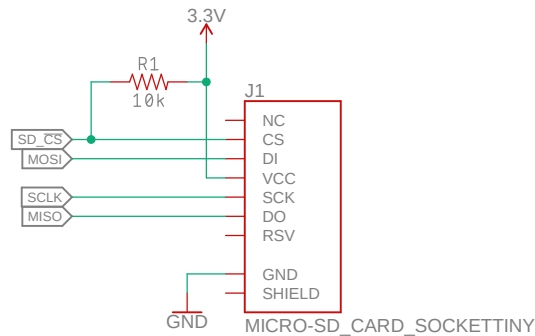
## Voltage Regulator



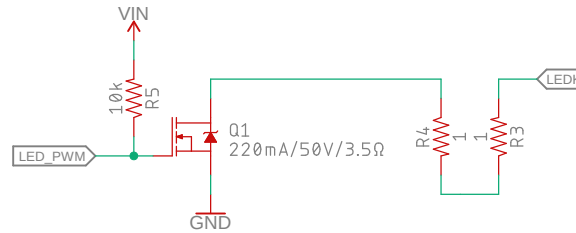
## Level Conversion



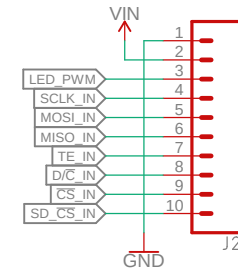
## SD Card



## Backlight PWM Dimming



## Connections



Released under the Creative Commons

Attribution Share-Alike 4.0 License

<https://creativecommons.org/licenses/by-sa/4.0/>



Special Instructions

TITLE: LCD\_TFT\_Breakout\_1in8\_128x160

Design by: Owen Lyke

REV:  
v10

Date: 4/10/2019 4:06 PM

Sheet: 1/1