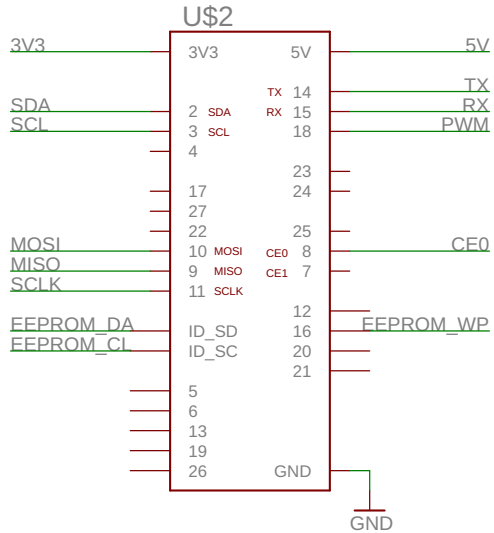


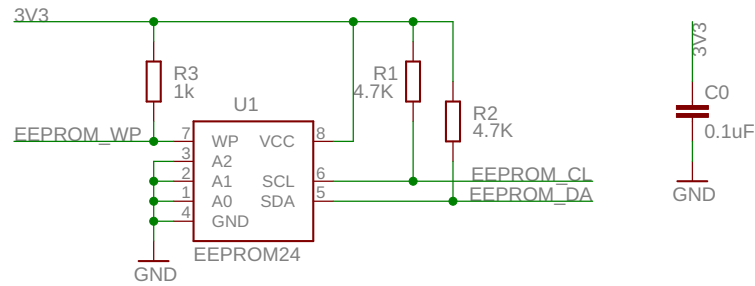
Pan-Tilt HAT (PIM250)

Tilty, panny, goodness!

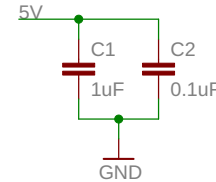
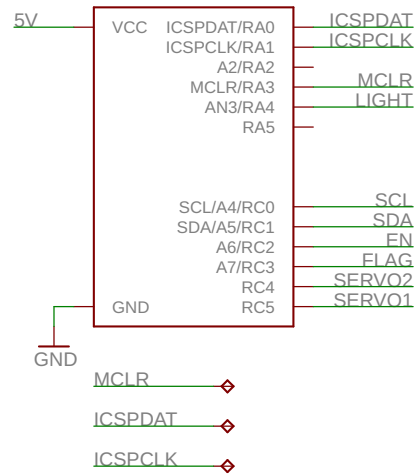
Raspberry Pi GPIO



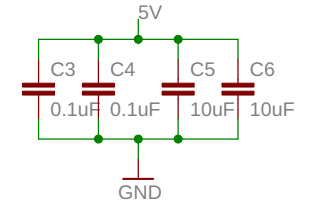
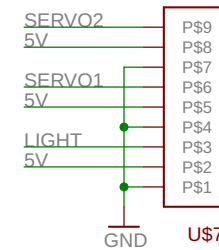
HAT EEPROM



Microcontroller



Servo outputs and decoupling



Extended GPIO

