

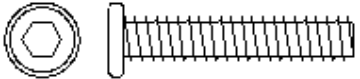
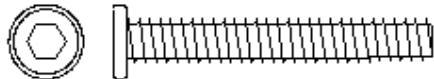
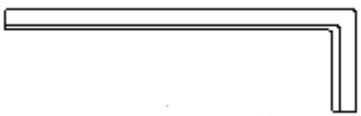
! Tool required:

! Do not throw away packaging materials until assembly is complete.

! Assemble this item on a soft surface, such as: cardboard or carpet to protect finish.

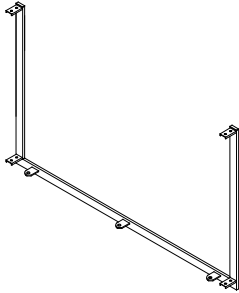
! Proper assembly of this item requires 2 people.

Hardware

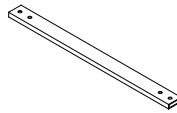
<p>A</p>  <p>short bolt 6mm x 10mm 16x</p>	<p>B</p>  <p>long bolt 6mm x 15mm 6x</p>
<p>C</p>  <p>allen key 1x</p>	

Parts

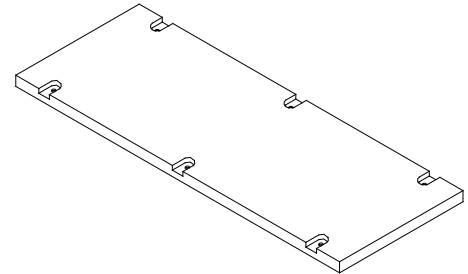
Front & Back Assembly x2



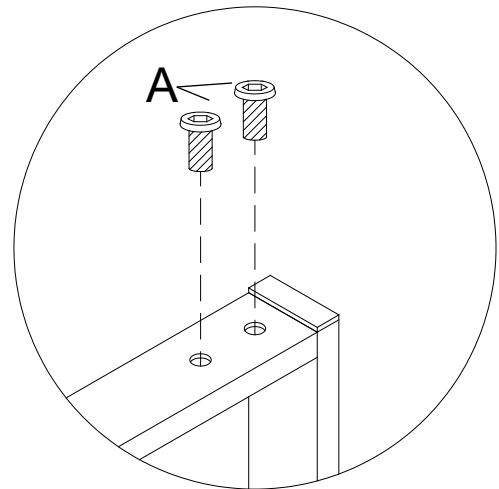
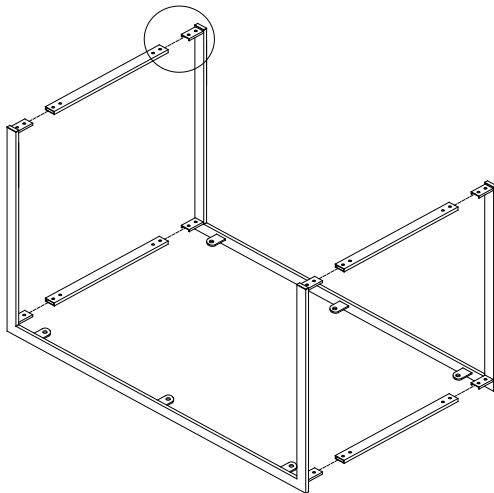
End Rail x4



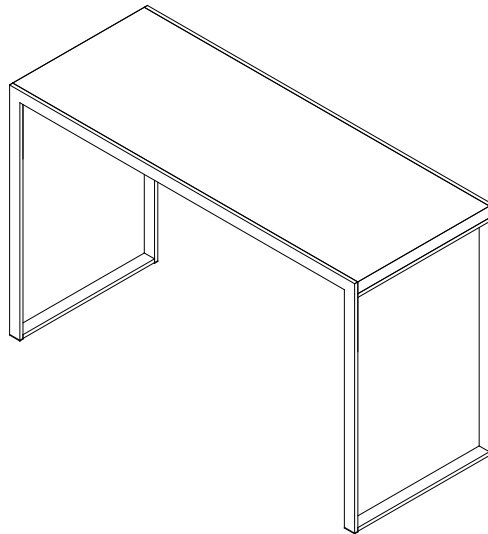
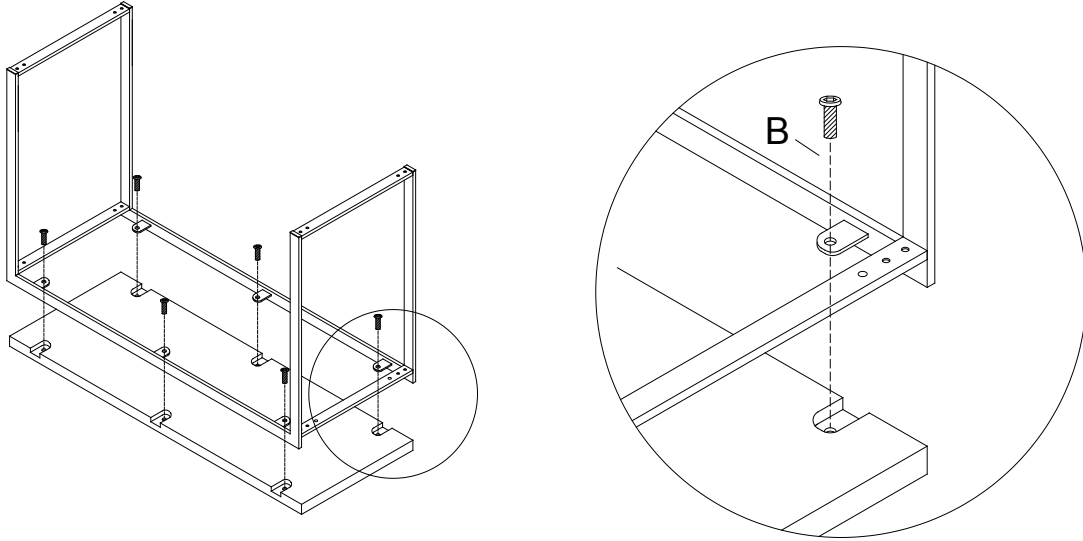
Wooden Top x1



1. Put one front & back assembly upside down on a soft surface. Attach end rails using short bolt (A) and tighten completely using allen key (C). Complete setup by attaching alternate front & back assembly to end rails using short bolt (A) and tightening with allen key (C).



- Put wooden top upside down on a soft surface. Attach completed assembly to wooden top using long bolts (B) and tighten completely using allen key (C). Once completed, rotate the framed bridge table to its upright position.



CARE INSTRUCTIONS

Hardware may loosen over time. Periodically check that all connections are tight.

Wipe with a soft, dry cloth. To protect finish, avoid the use of chemicals and household cleaners.