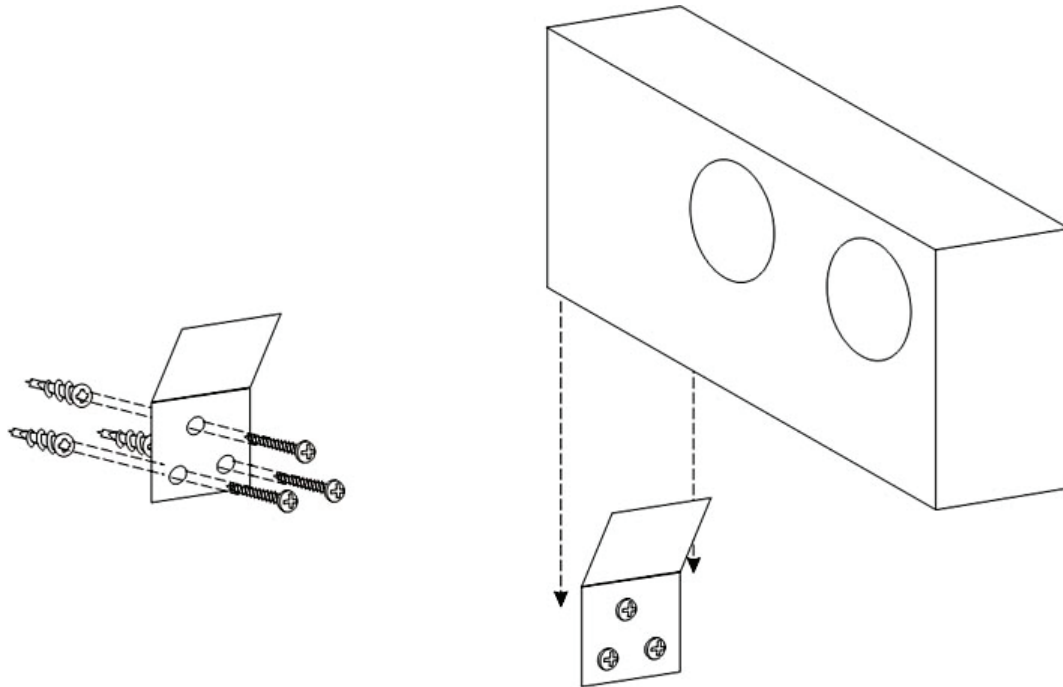


# west elm : double rod bracket

## mounting instructions

### NOTE:

- Stud mounting is recommended. Use proper hardware for your wall type (such as anchors for drywall). When in doubt, consult your local hardware store.



### CARE INSTRUCTIONS:

- Wipe with a soft, dry cloth. To protect the finish, avoid the use of all chemicals and household cleaners.