

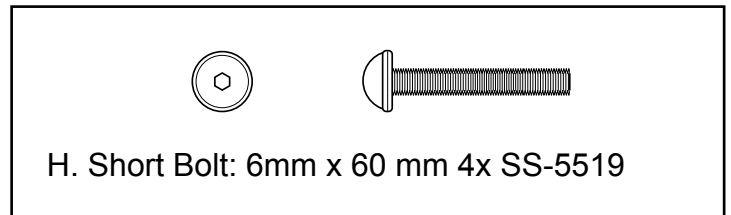
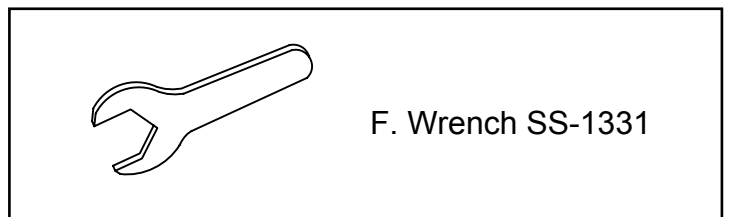
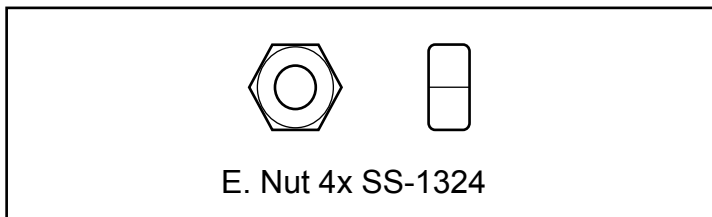
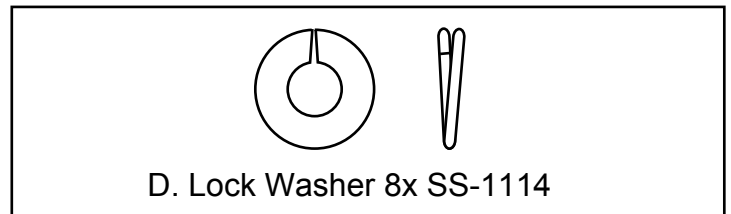
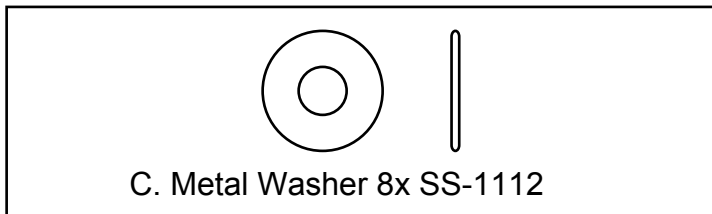
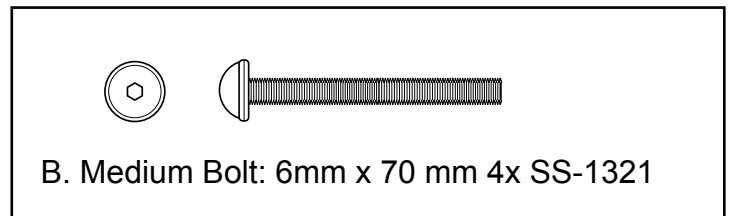
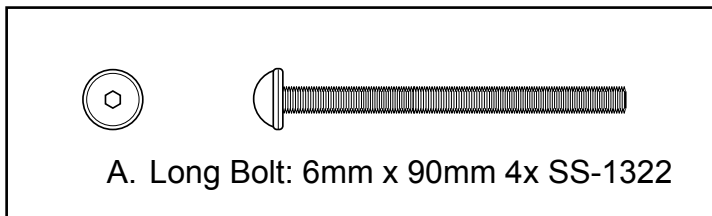
Assembly Instructions

- ! Do not throw away packaging materials until assembly is complete.
- ! To protect finish, assemble this item on a soft surface such as cardboard or carpet.
- ! Proper assembly requires two people.

Care Instructions:

- ! Hardware may loosen over time. Periodically check that all connections are tight.
- ! Wipe with a soft, dry cloth.
- ! To protect finish, avoid the use of chemicals.

Hardware

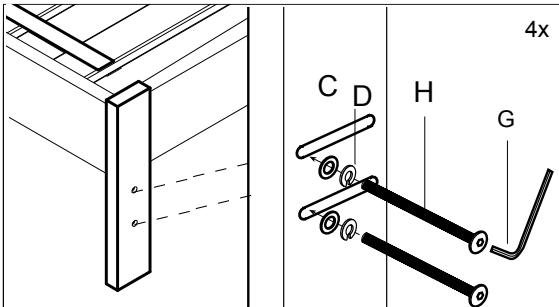


Headboard to Bed Frame Assembly Options

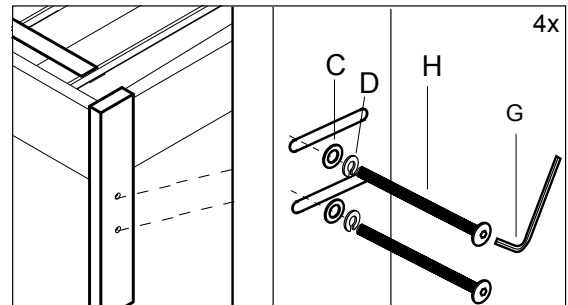
!Proper assembly requires two people.

1. Align hardware as shown and tighten with supplied tools.

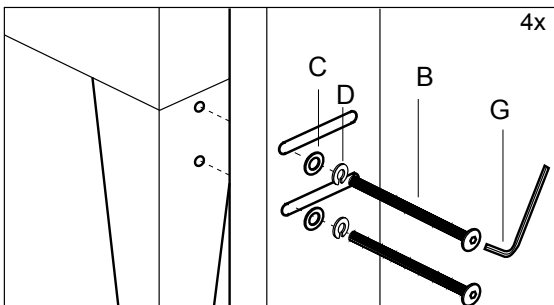
Attaching the headboard to **Simple Bed** frame.



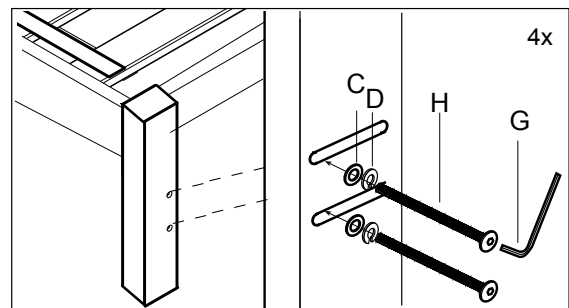
Attaching the headboard to the **Simple Tall Bed** frame.



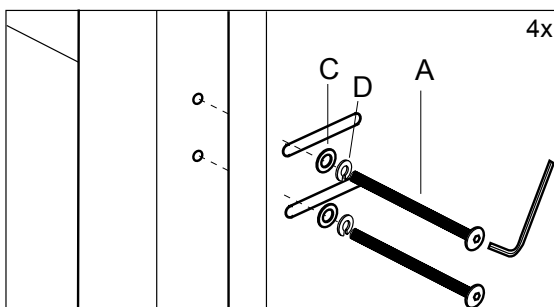
Attaching the headboard to the **Narrow Leg Bed** Frame.



Attaching the headboard to **Box Frame** bed frame.



Attaching a Full Length headboard to any frame.



Attaching headboard to metal bed frame for **Boxspring and mattress**.

