

west elm

# square umbrella - 4 panel pivot

assembly instructions

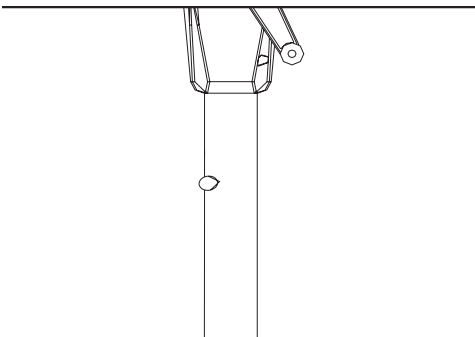
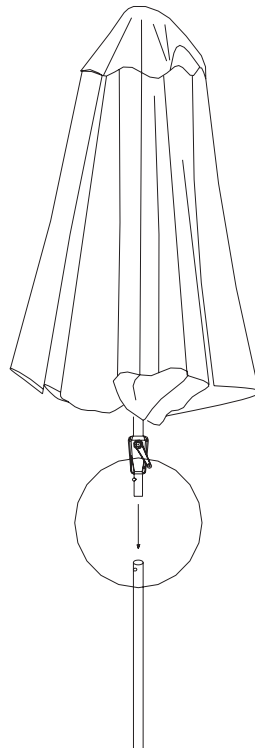


! Do not throw away packaging materials until assembly is complete.

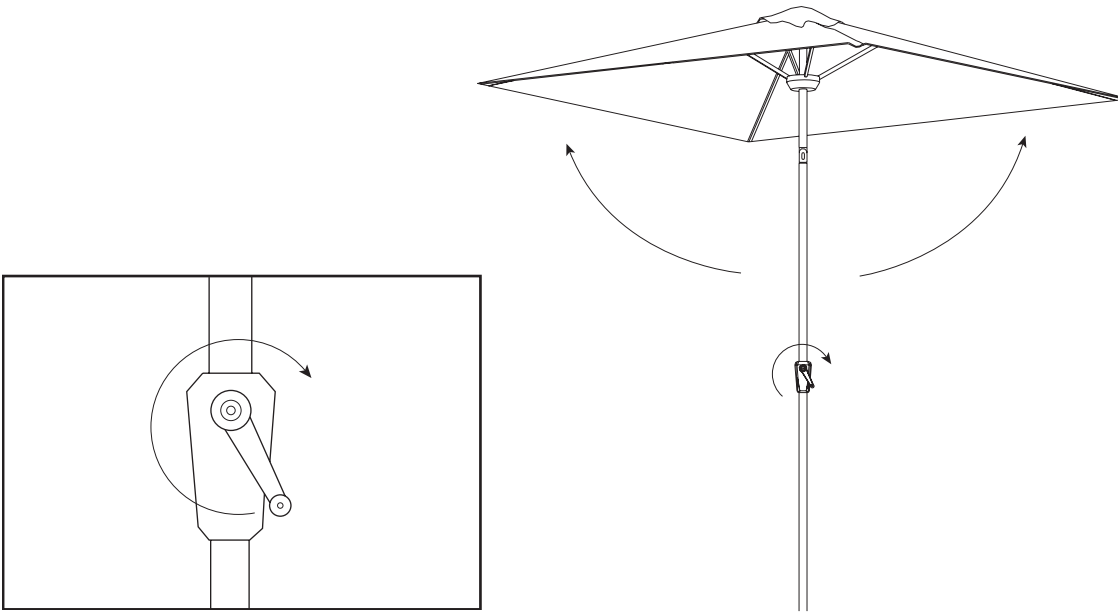
! Assemble this item on a soft surface, such as cardboard or carpet, to protect finish.

! Base sold separately.

1. Depress button in the upper pole and insert the upper umbrella pole into the lower pole. Make sure the button pops back into place.



2. Turn the handle clockwise to open the umbrella as shown. To close the umbrella turn the handle counter clockwise.



3. To tilt the umbrella top, depress and hold the tilt button while turning the umbrella top to the left or right until it locks in place. **IMPORTANT:** To avoid damaging your umbrella, be sure to return the umbrella top to its regular upright position before attempting to close it.



## CARE INSTRUCTIONS

Brush to remove dirt and dust.

For spot cleaning, sponge lightly with a solution of mild soap and warm water.

## STORAGE INSTRUCTIONS

Store in a dry, covered area when not in use.

To prevent mildew, be sure umbrella fabric is completely dry before storing. Store indoors when not in use or during periods of inclement weather.