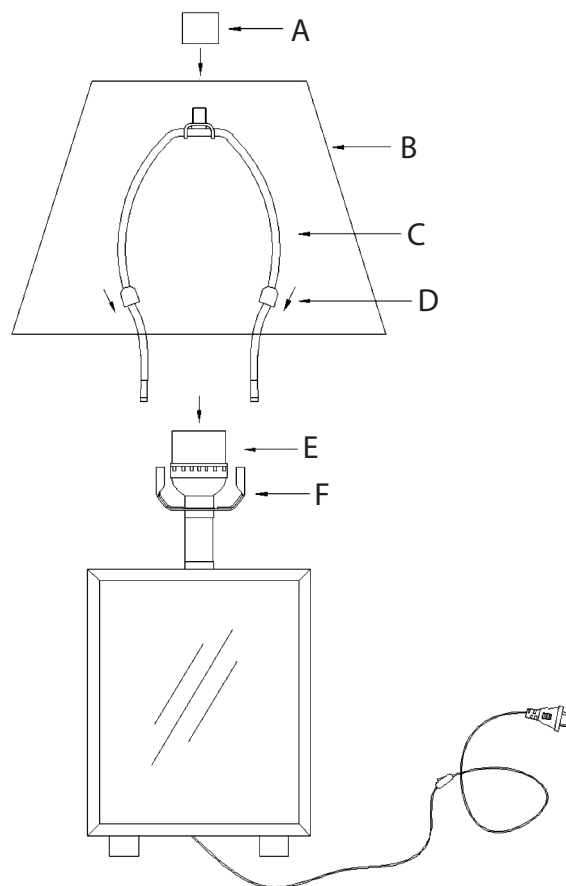


! Use with type A bulb. DO NOT USE WITH A BULB EXCEEDING 60 WATTS.

! Electric bulb should be centered inside the shade, making sure it does not touch the sides of the shade.

1. Insert harp (C) into saddle (F).
2. Slide harp caps (D) over saddle(F).
3. Place lamp shade (B) onto harp (C).
4. Secure lamp shade by screwing finial (A) onto harp (C).
5. Screw bulb into socket (E).



#### CARE INSTRUCTIONS

Wipe with a soft, dry cloth only.

Do not use abrasive cleaners.

Do not immerse fixture in water. Doing so will damage the wiring.