

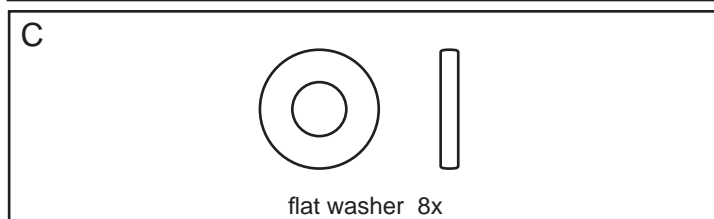
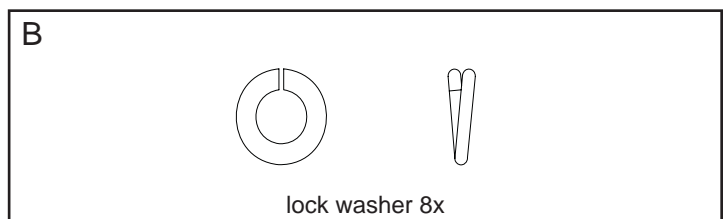
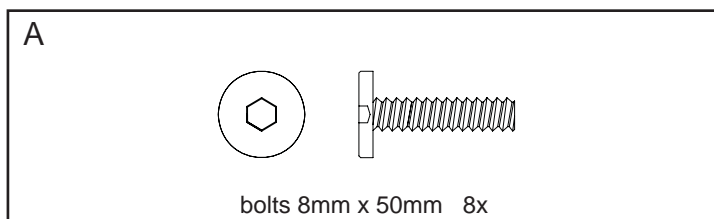
! Tools supplied:

! Do not throw away packaging materials until assembly is complete.

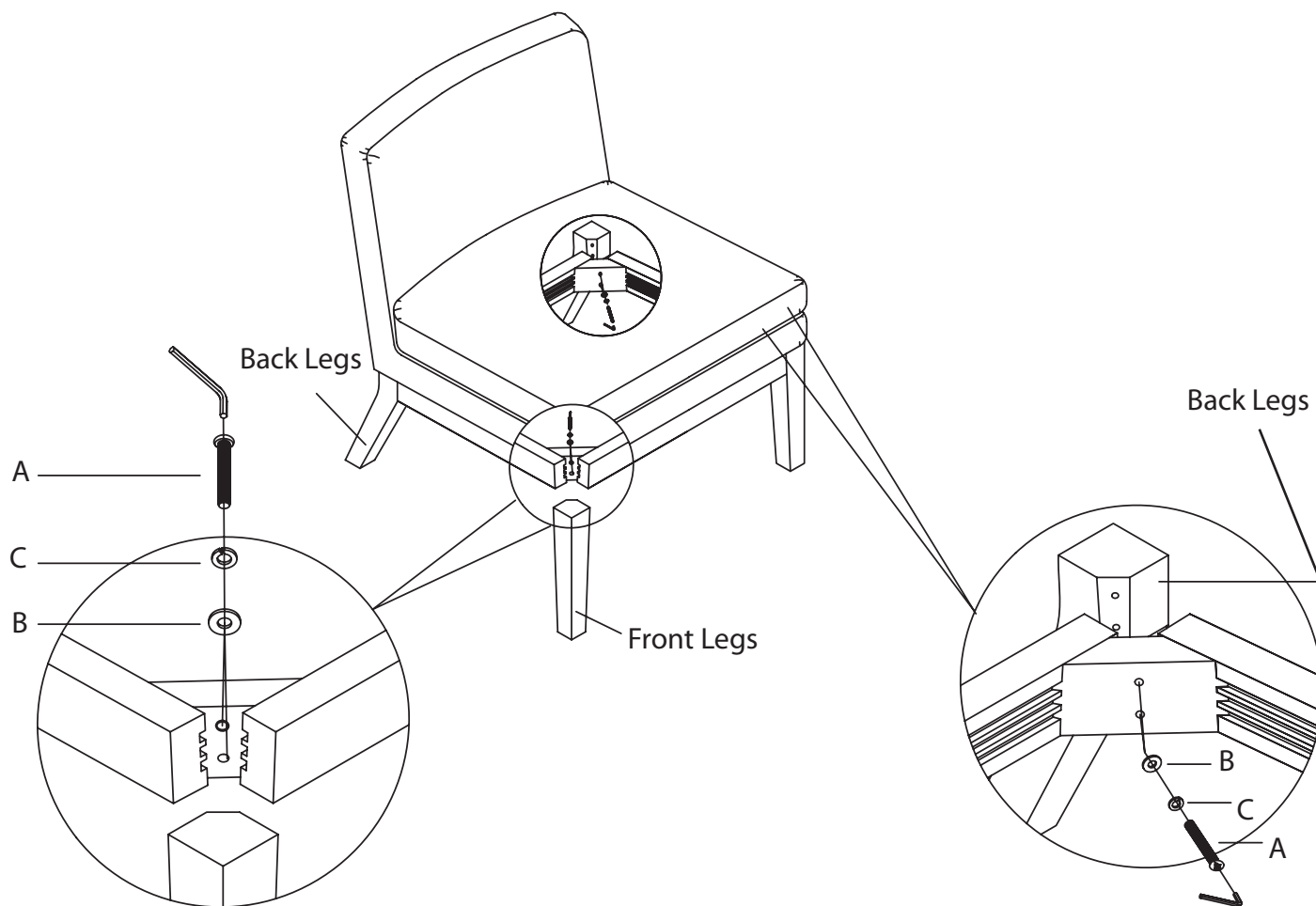
! Assemble this item on a soft surface, such as cardboard or carpet, to protect finish.

! Proper assembly of this item requires 2 people.

## Hardware



1. Align the front legs as shown insert bolt(A), lock washer (C), and flat washer (B). Tighten with supplied hex key. Align back legs as shown and insert bolt (A), lock washer (C), and flat washer (B). Tighten with supplied hex key. DO NOT OVERTIGHTEN!



#### CARE INSTRUCTIONS

**Upholstered Seat:** Spot clean only. Vacuum or brush with a soft brush regularly, at least once a month. For spills, immediately dab with a towel dampened with club soda or distilled water. Do not use household cleaners on this product.

**Legs:** Hardware may loosen over time. Periodically check that all connections are tight.

Wipe with a soft, dry cloth. To protect finish, avoid the use of chemicals and household cleaners.