

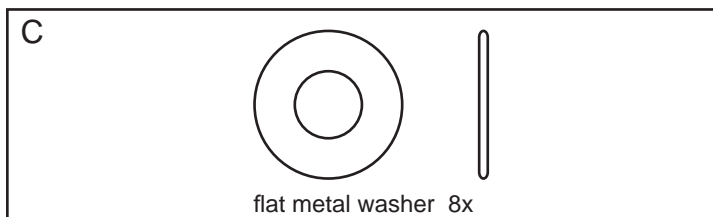
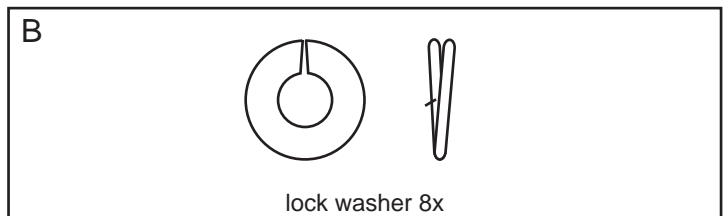
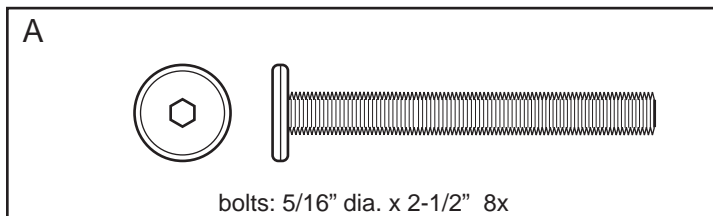
! Tools Supplied:

! Do not throw away packaging materials until assembly is complete.

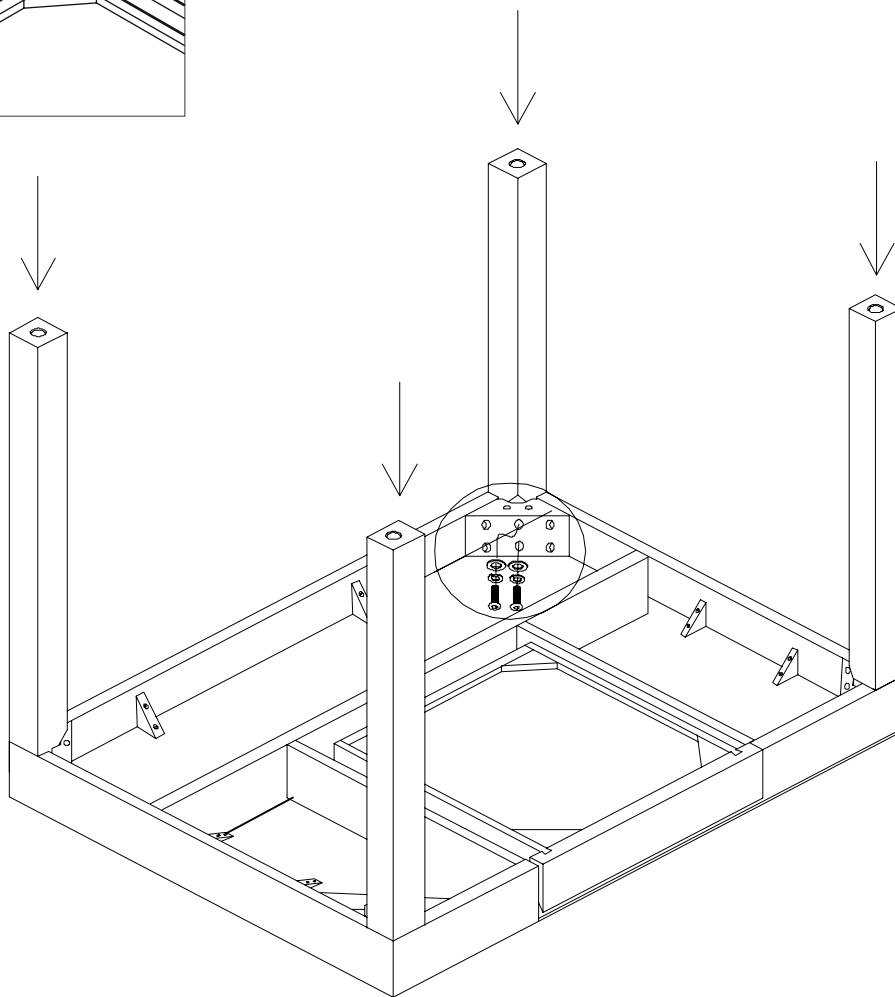
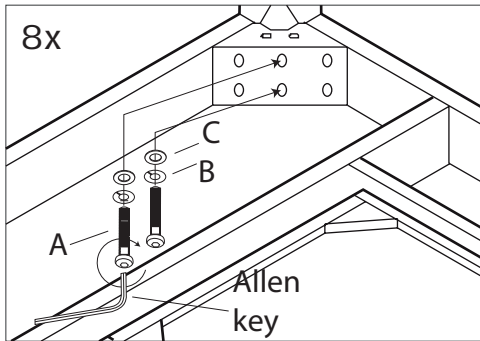
! Assemble this item on a soft surface, such as cardboard or carpet, to protect finish.

! Proper assembly of this item requires 2 people.

Hardware



1. Place the table top upside down on a soft surface.
2. One-by-one, position and attach the legs as shown. Attach the legs by inserting metal washer (C) and lock washer (B) with bolt (A) into pre-drilled holes as shown. Tighten with allen key.



CARE INSTRUCTIONS

Hardware may loosen overtime. Periodically check that all connections are tight.

Wipe with a soft, dry cloth. To protect finish, avoid the use of chemicals and household cleaners.