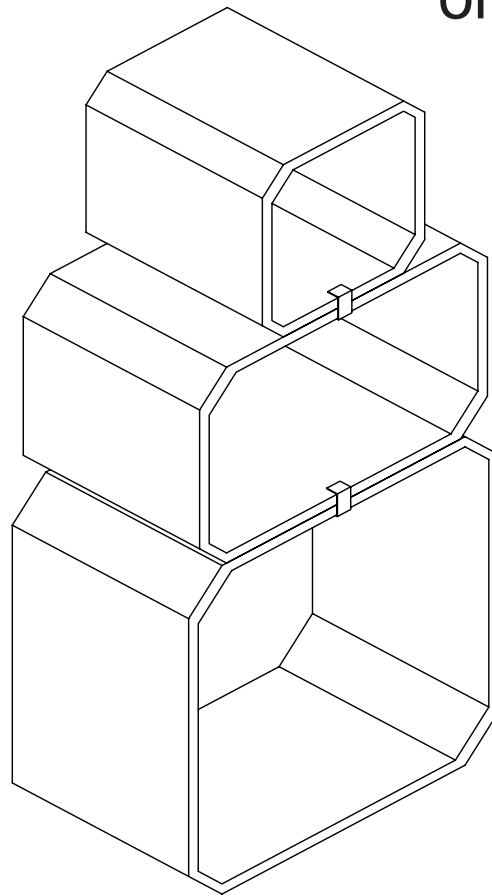


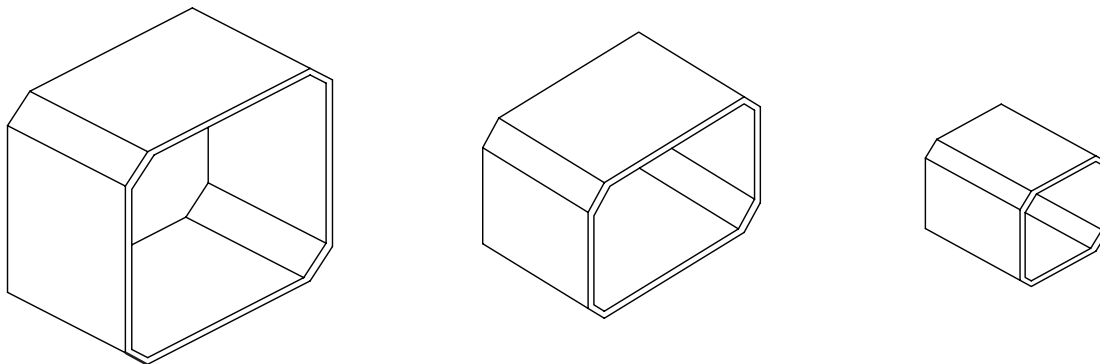
west elm

# onyx nesting tables

assembly instructions



## Parts

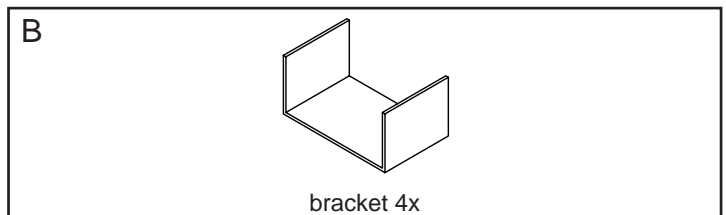
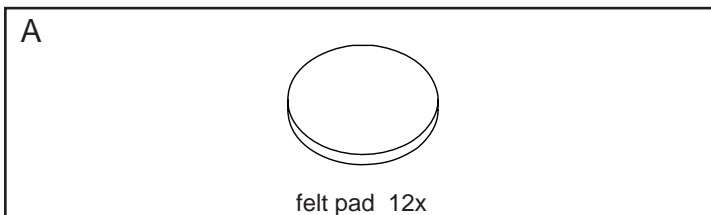


! Do not throw away packaging materials until assembly is complete.

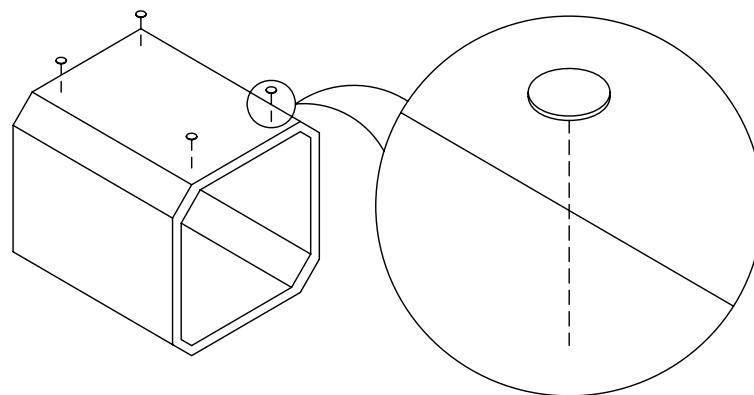
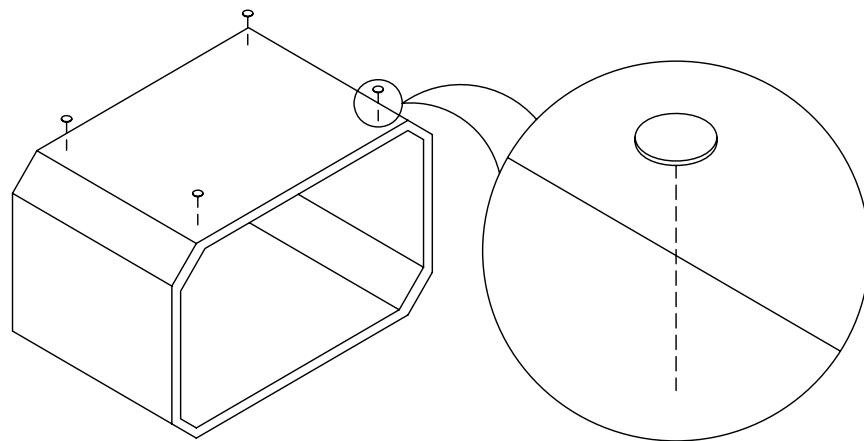
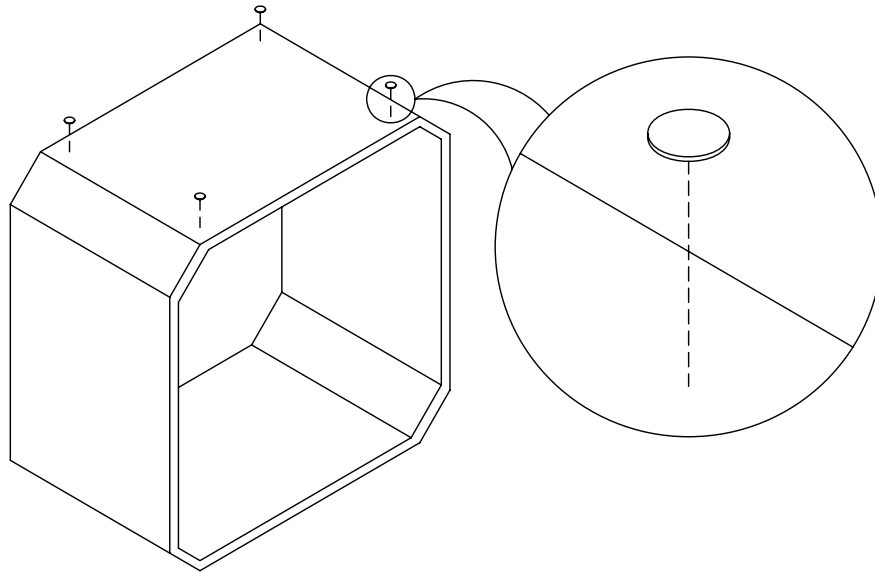
! Assemble this item on a soft surface, such as cardboard or carpet, to protect finish.

! Proper assembly of this item requires 2 people.

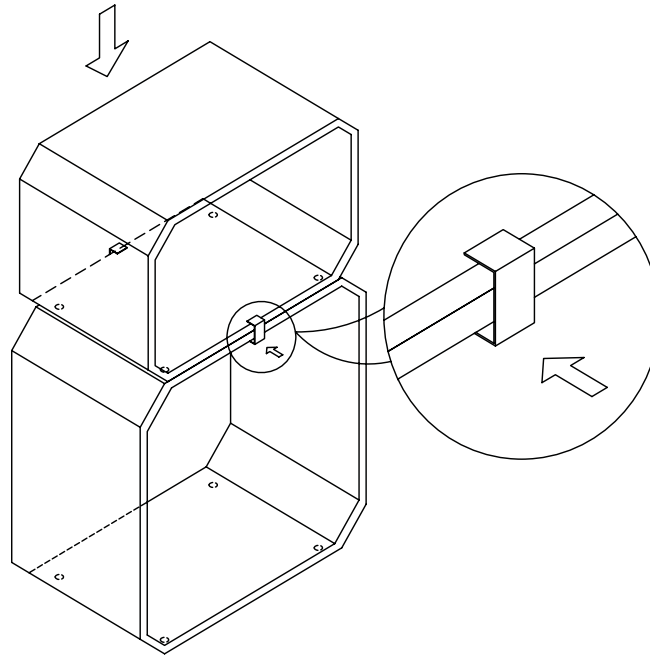
## Hardware



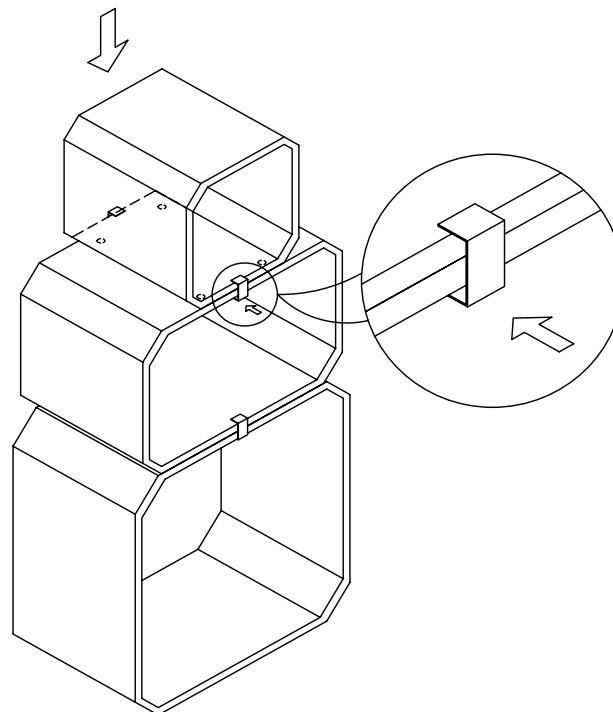
1. Install felt pads on bottom of all 3 units.



2. Align middle size unit onto top of large unit. Slide bracket (B) over the edge of the two units like the drawing shows.



2. Align small size unit onto top of middle unit. Slide bracket (B) over the edge of the two units like the drawing shows.



#### CARE INSTRUCTIONS

Hardware may loosen overtime. Periodically check that all connections are tight.

Wipe with a soft, dry cloth. To protect finish, avoid the use of chemicals and household cleaners.