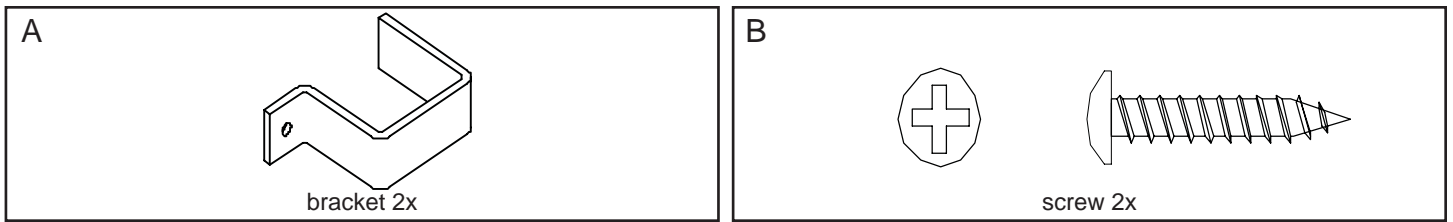


**NOTE: This drawer unit is not to be used to support the weight of a television. DO NOT SIT TV ON DRAWER UNIT!**

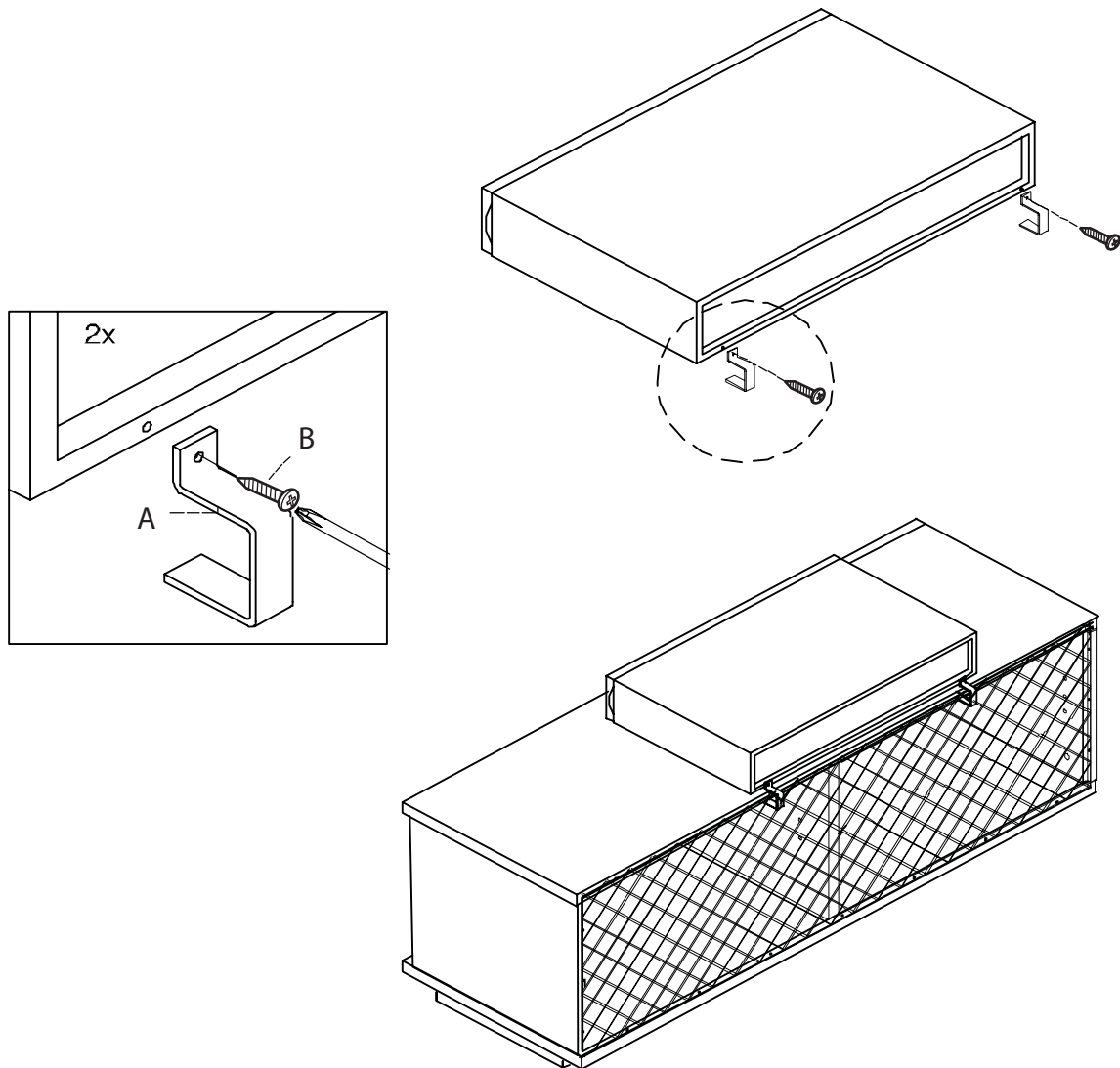
! Tools required: 

- ! Do not throw away packaging materials until assembly is complete.
- ! Assemble this item on a soft surface, such as cardboard or carpet, to protect finish.
- ! Proper assembly of this item requires 2 people.

### Hardware



1. Install the 2 brackets (A) onto the back of the sliding drawer with 2 screws (B). Lay the drawer onto the top of the media stand. Slide the drawer forward to lock it into place.



#### CARE INSTRUCTIONS

Hardware may loosen overtime. Periodically check that all connections are tight.

Wipe with a soft, dry cloth. To protect finish, avoid the use of chemicals and household cleaners.