

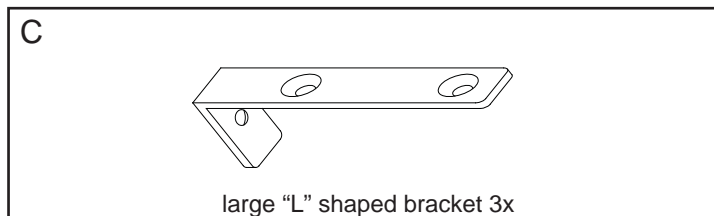
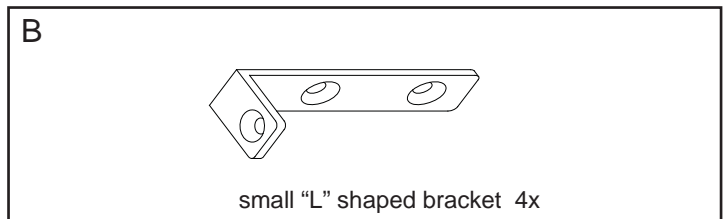
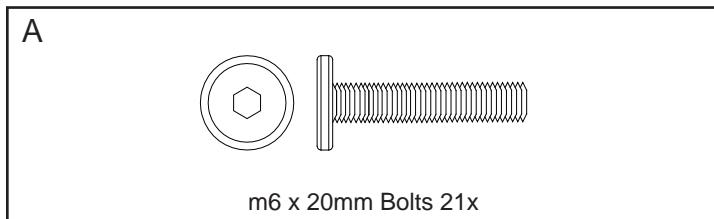
! Tools supplied:

! Do not throw away packaging materials until assembly is complete.

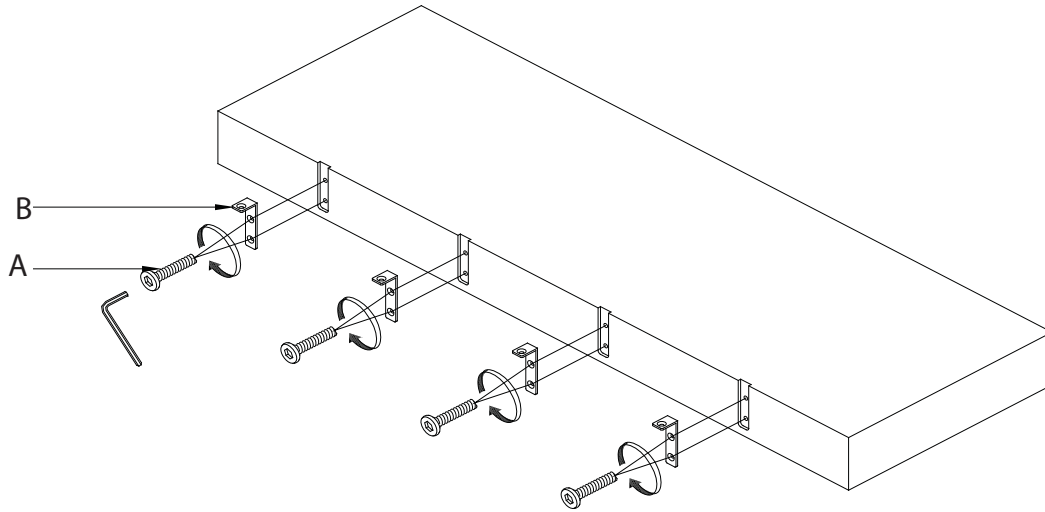
! Assemble this item on a soft surface, such as cardboard or carpet, to protect finish.

! Proper assembly of this item requires 2 people.

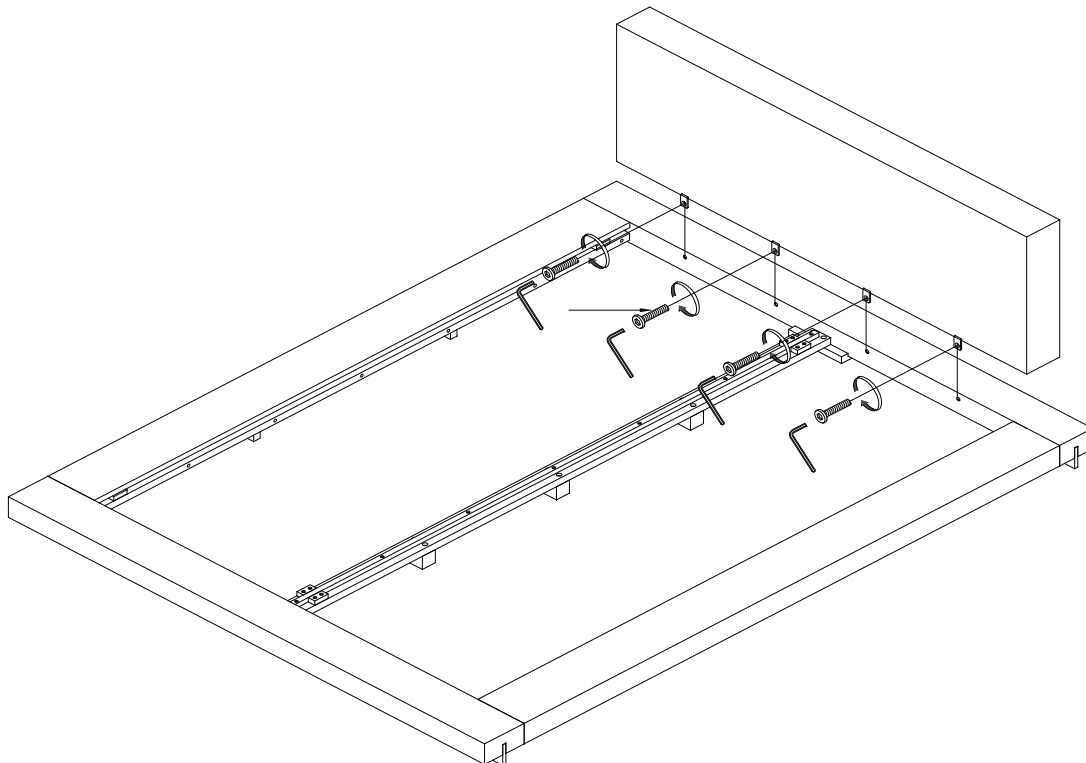
Hardware



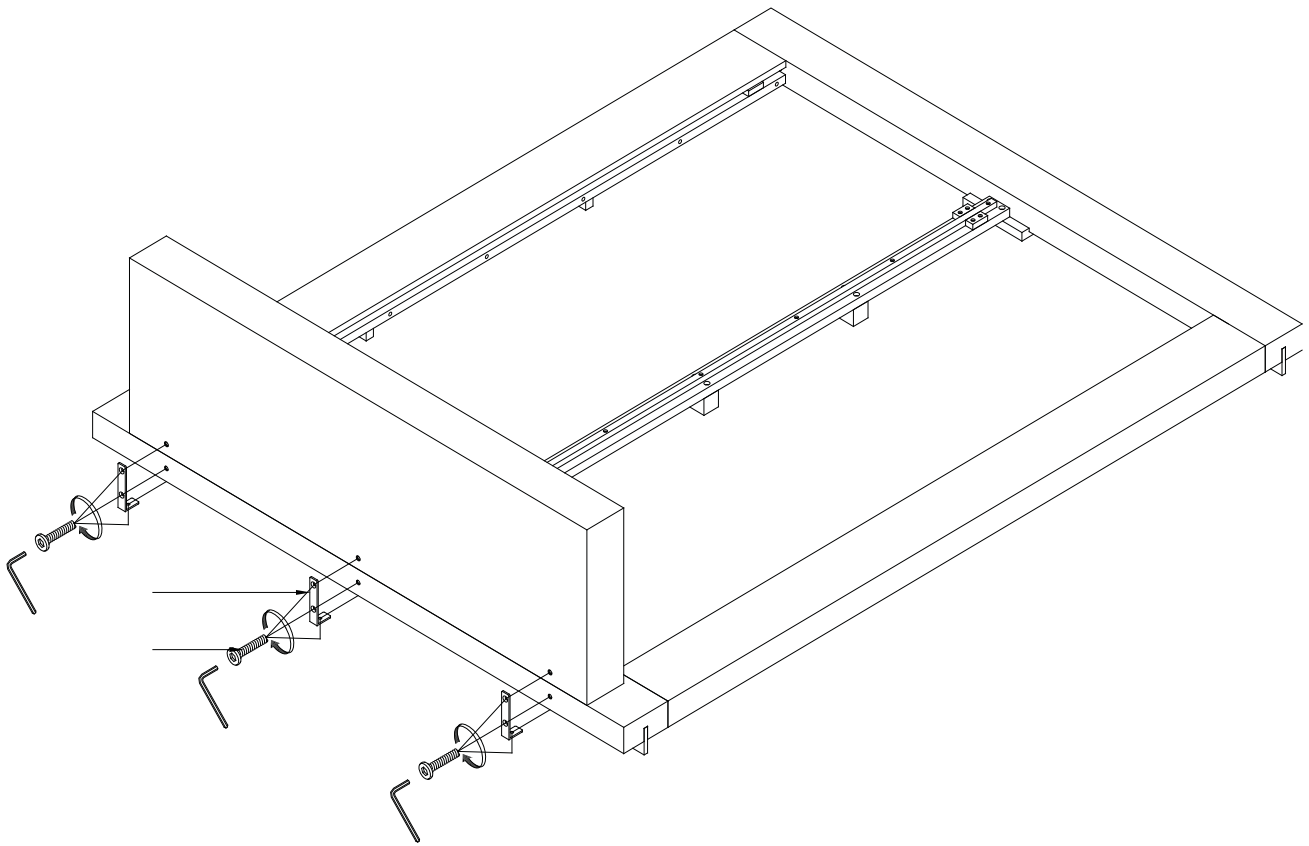
1. Attach small "L" brackets (B) to bottom of headboard and secure by bolts (A). Tighten with supplied hex key.



2. Attach headboard to bedframe (sold separately). Align the short "L" shaped brackets to the pre-drilled holes located on the inner side of the low bedframe and secure with bolts (A). Tighten with supplied hex key.



3. On the rear side of the bedframe and headboard attach 3 large "L" brackets (C). Insert bolts (A) and tighten with supplied hex key. Each bracket requires 3 bolts.



CARE INSTRUCTIONS

Hardware may loosen overtime. Periodically check that all connections are tight.

Wipe with a soft, dry cloth. To protect finish, avoid the use of chemicals and household cleaners.

Upholstery: Spot clean only.