

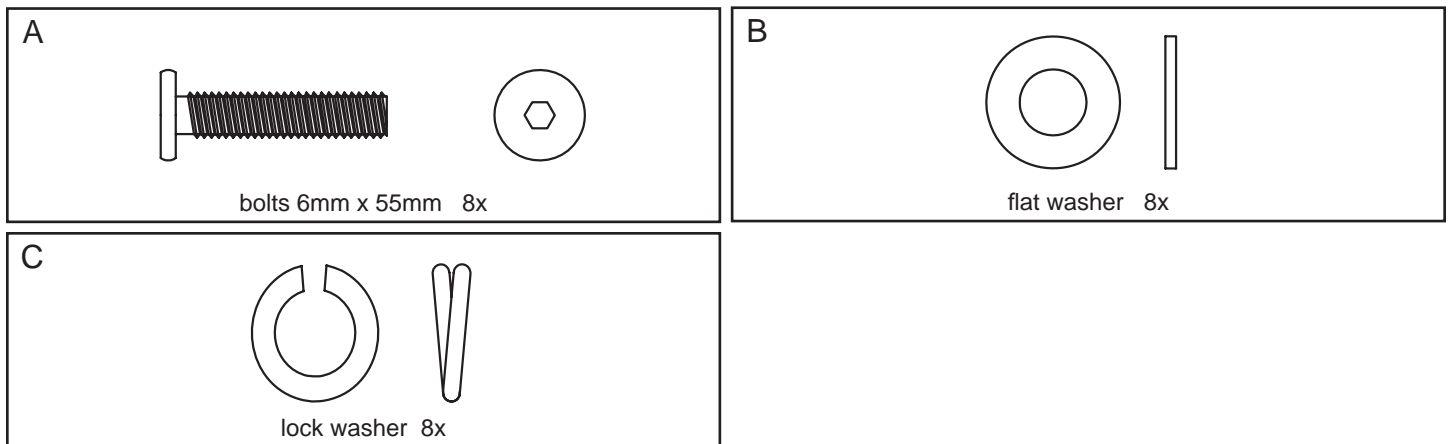
! Tools supplied:

! Do not throw away packaging materials until assembly is complete.

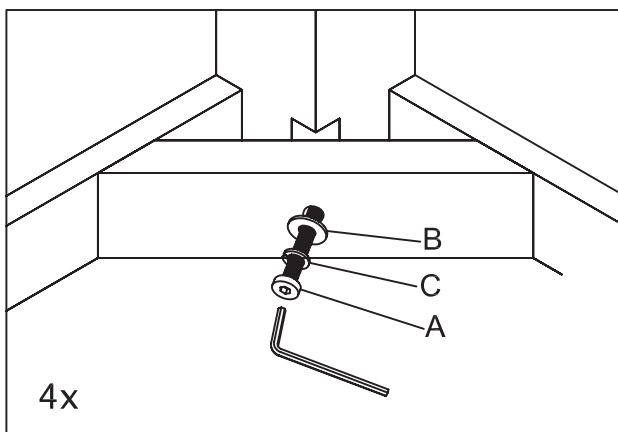
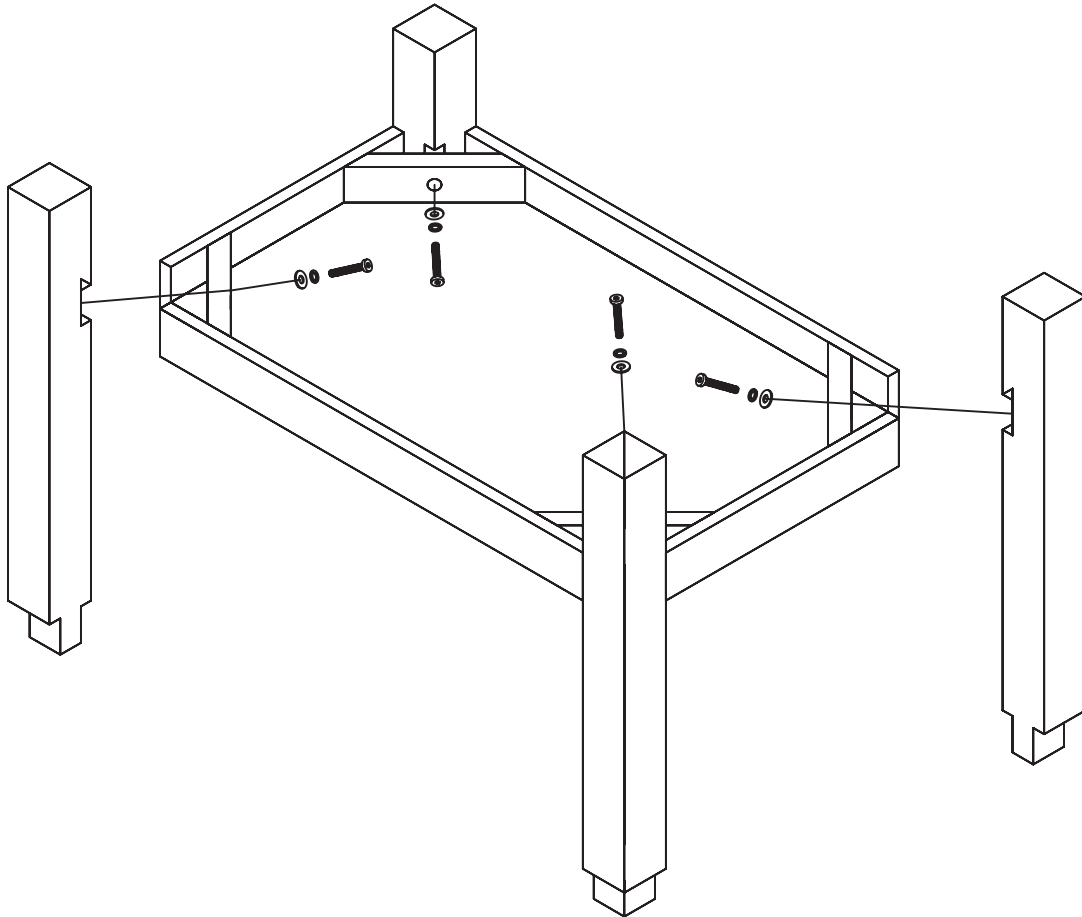
! Assemble this item on a soft surface, such as cardboard or carpet, to protect finish.

! Proper assembly of this item requires 2 people.

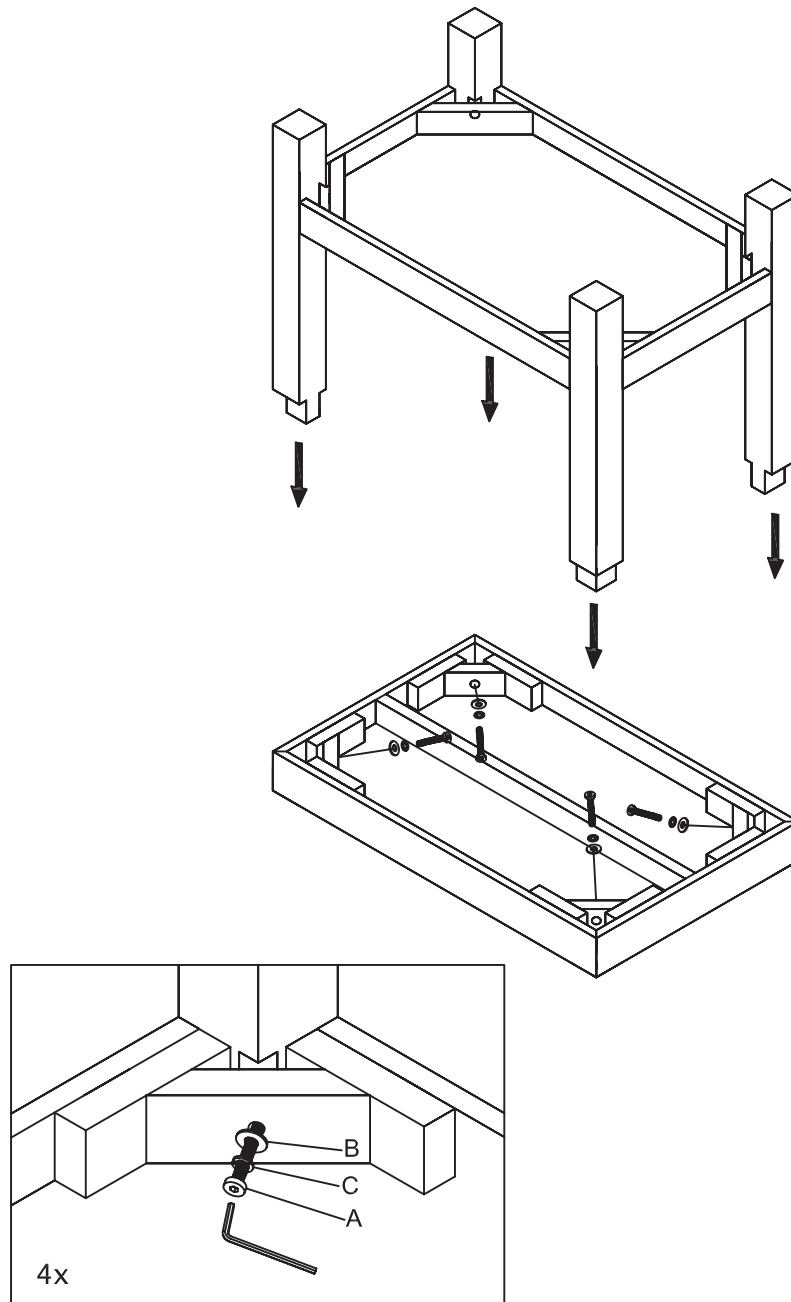
## Hardware



1. Align legs with bottom shelf. Insert bolt (A), lock washer (C), and flat washer (B). Tighten with supplied hex key. Do not overtighten.



1. Insert legs into top. Insert bolt (A), lock washer (C), and flat washer (B). Tighten with supplied hex key. Do not overtighten.



CARE INSTRUCTIONS

Hardware may loosen overtime. Periodically check that all connections are tight.

Wipe with a soft, dry cloth. To protect finish, avoid the use of chemicals and household cleaners.