

! Tools supplied:

Tools required:



! Do not throw away packaging materials until assembly is complete.

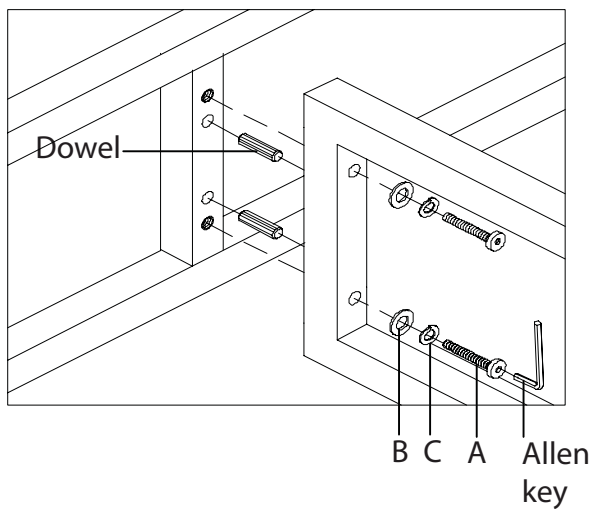
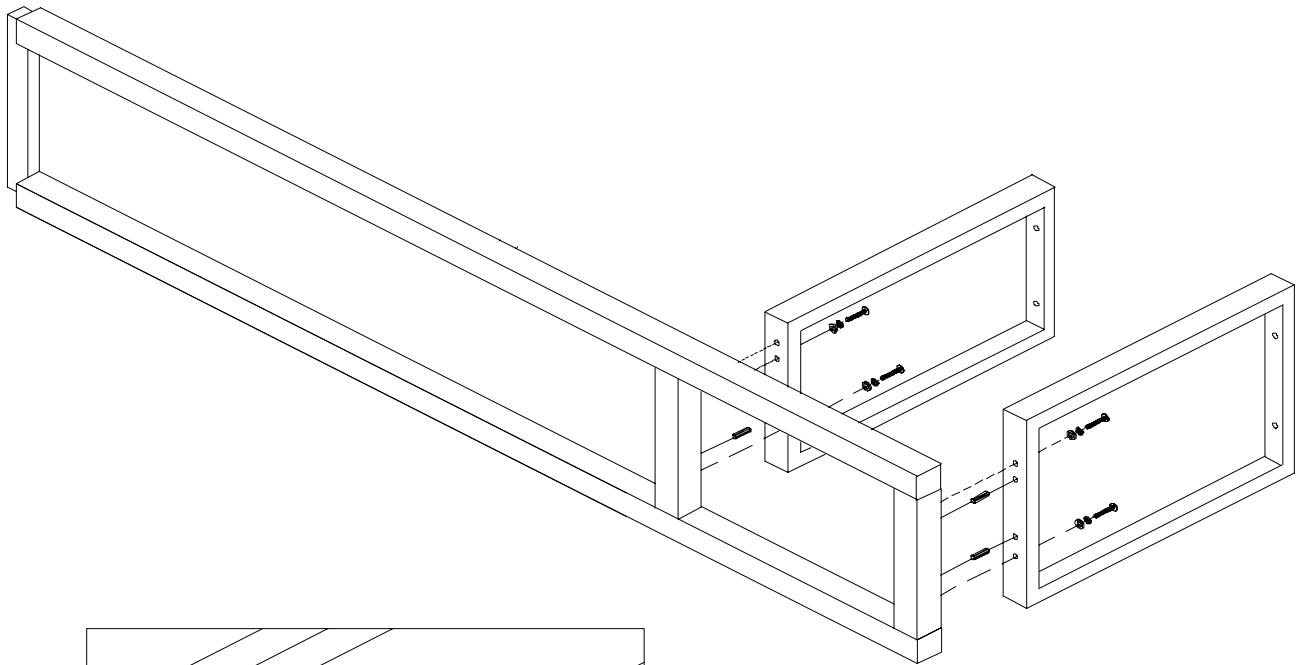
! Assemble this item on a soft surface, such as cardboard or carpet, to protect finish.

! Proper assembly of this item requires 2 people.

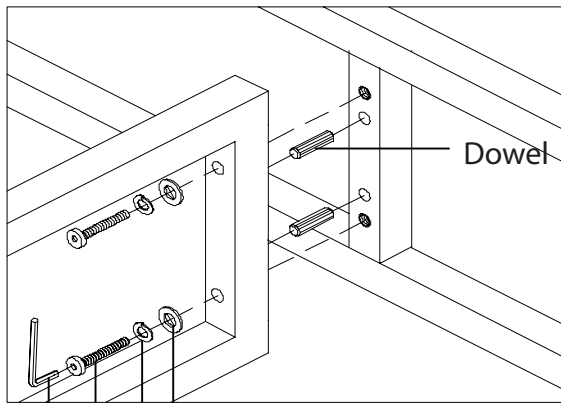
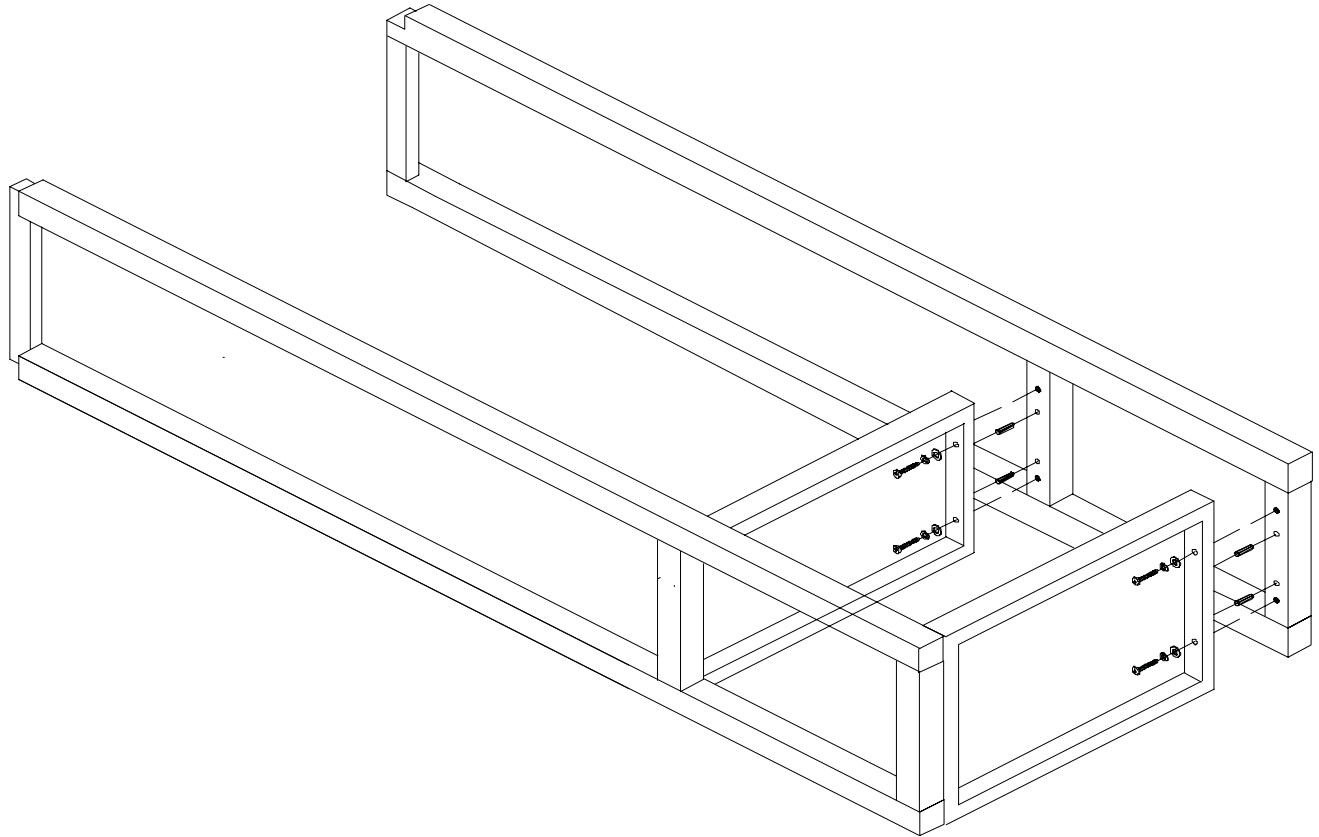
Hardware

<p>A</p> <p>Bolt 12x</p>	<p>B</p> <p>Flat washer 12x</p>
<p>C</p> <p>Spring washer 12x</p>	<p>D</p> <p>dowel 8x</p>
<p>E</p> <p>Shelf Support 4x</p>	<p>Anti tip kit 2x</p> <p>Mounting Plate 2x Nylon Strap 2x Small Screw 4x Large Screw 4x</p>

1. Lay 1 tower end on a soft surface upright like the drawing shows. Next align 2 shelves by the holes in the end. Insert the dowels (D) into the holes on the end of shelf like drawing shows. Slide the shelves up against the tower end and bolt through the bottom of the shelf with bolt (A), spring-washer (C), then the flat washer (D). Tighten with the supplied allen key.



2. Repeat procedure of step 1 for the other side of the tower.

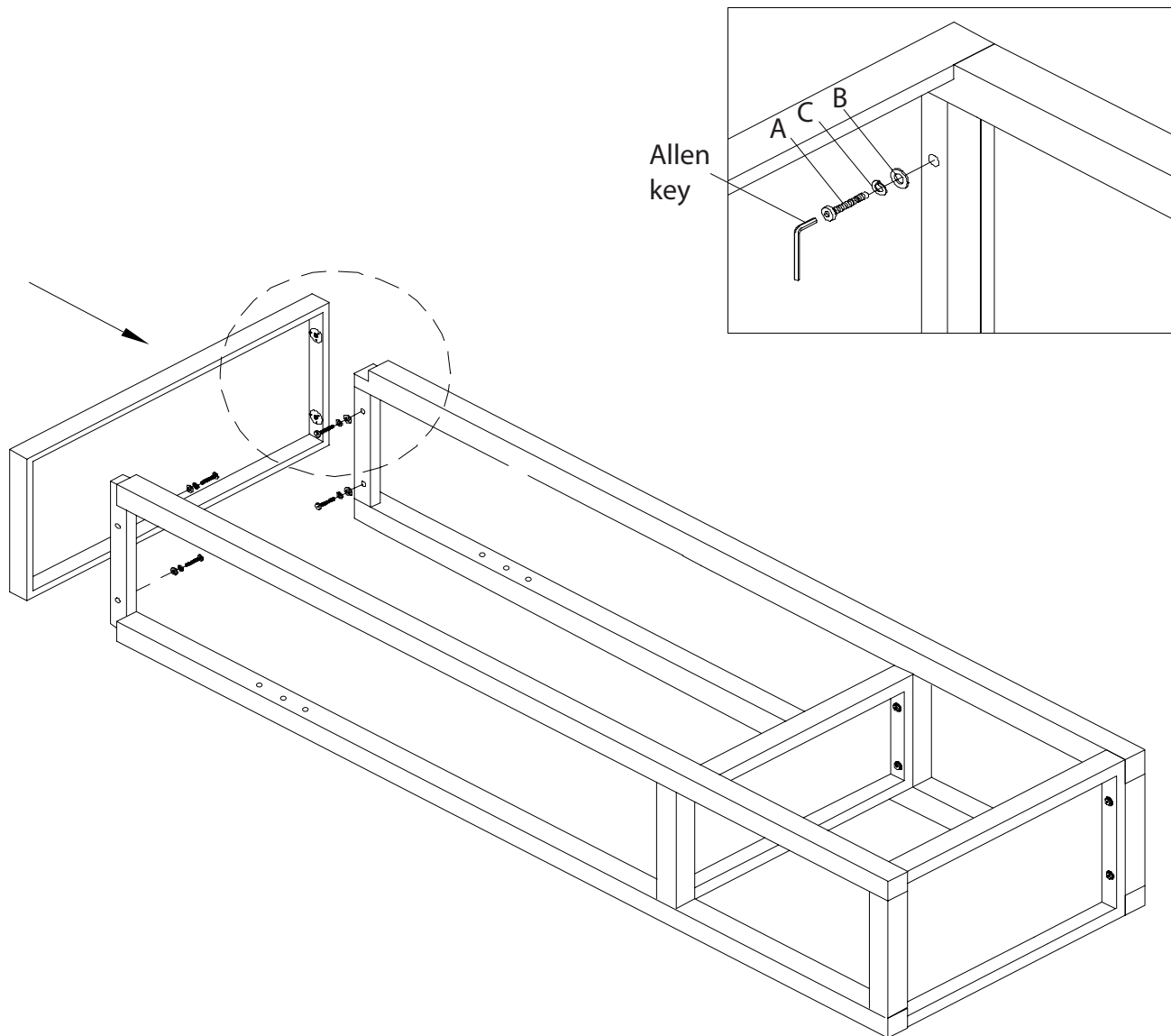


Allen
key

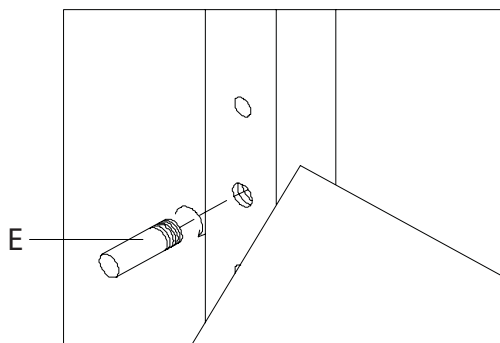
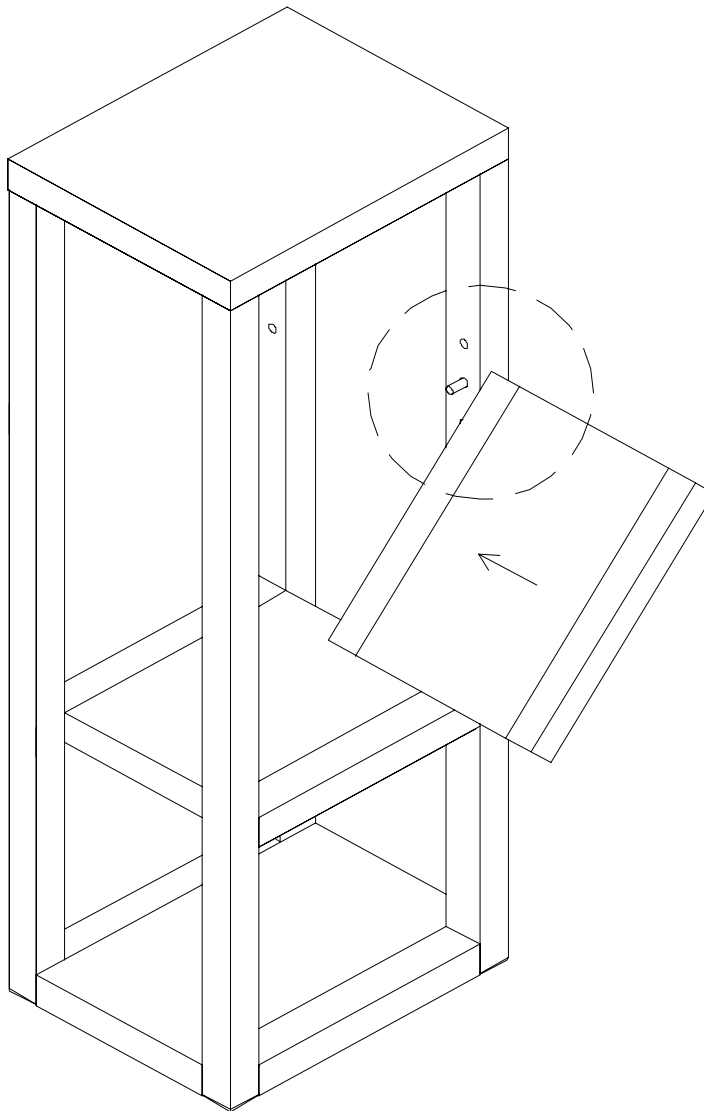
A C B

Dowel

- Slide top panel over the tower ends. Bolt together using bolts (A), spring washers (C), then flat washers (B). Tighten with allen key.



4. Screw in 4 shelf supports (E) in the bookcase posts like drawing shows (1 in each post) making sure that all 4 supports are level with each other. Insert shelf and lay flat onto supports.

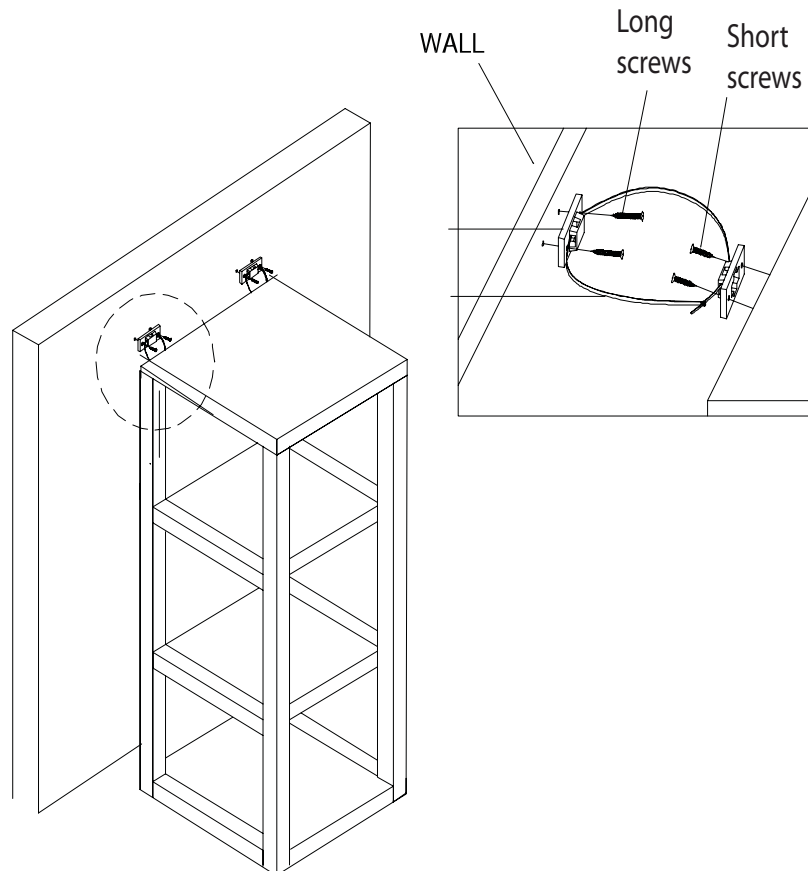


NOTICE:

To prevent injury and property damage from unexpected tipping of furniture, we highly recommend installation of the anti-tip kit included with this product.

Attaching tower to wall with anti-tip kits.

1. Determine where the tower is to be placed and mark location on the wall for the mounting bracket screw holes. They should be placed approximately 1" below the top on the back of the tower.
2. Attach the mounting bracket vertically to the wall by inserting the long screws provided through the holes in the bracket and tightening securely using screwdriver. Screws must penetrate wall studs for proper installation.
3. Next using the short screws attach the 2nd bracket to the back of the tower top.
4. Lace the nylon strap down through the brackets. Slide the thin end of the strap through the receiving end of the nylon strap. Pull to tighten tower snug against wall.
5. Repeat for second tip kit



NOTE: There will be extra pieces left over from the anti-tip kit, please discard.

CARE INSTRUCTIONS

Hardware may loosen overtime. Periodically check that all connections are tight.

Wipe with a soft, dry cloth. To protect finish, avoid the use of chemicals and household cleaners.