

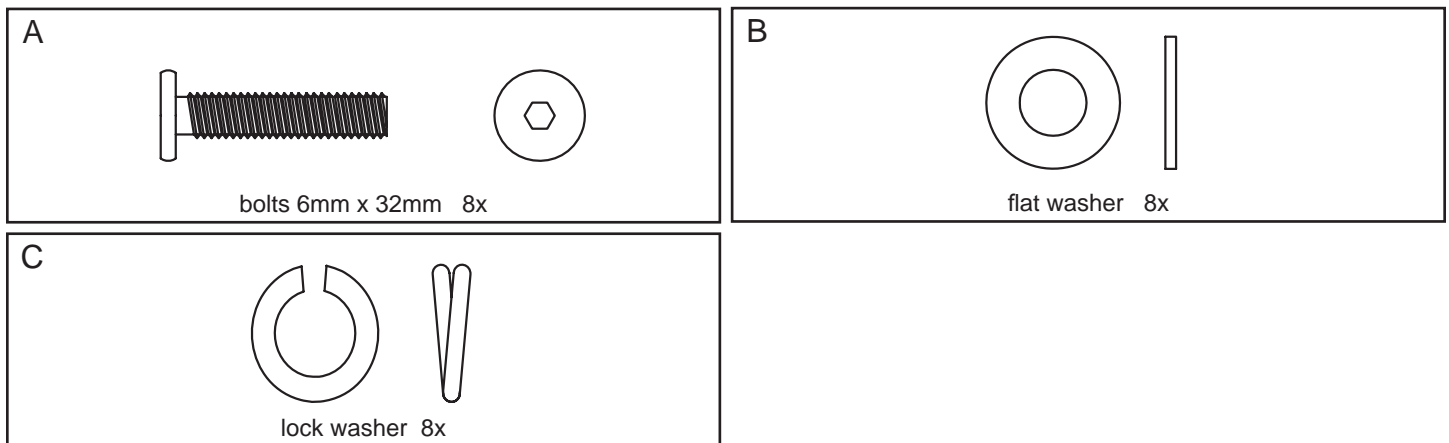
! Tools supplied:

! Do not throw away packaging materials until assembly is complete.

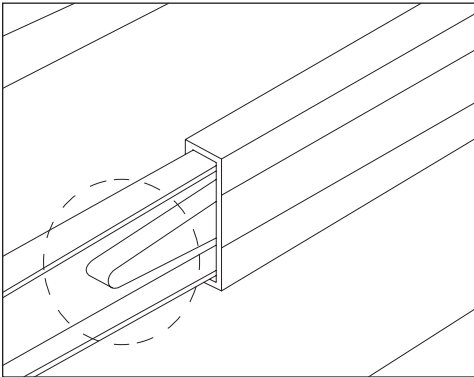
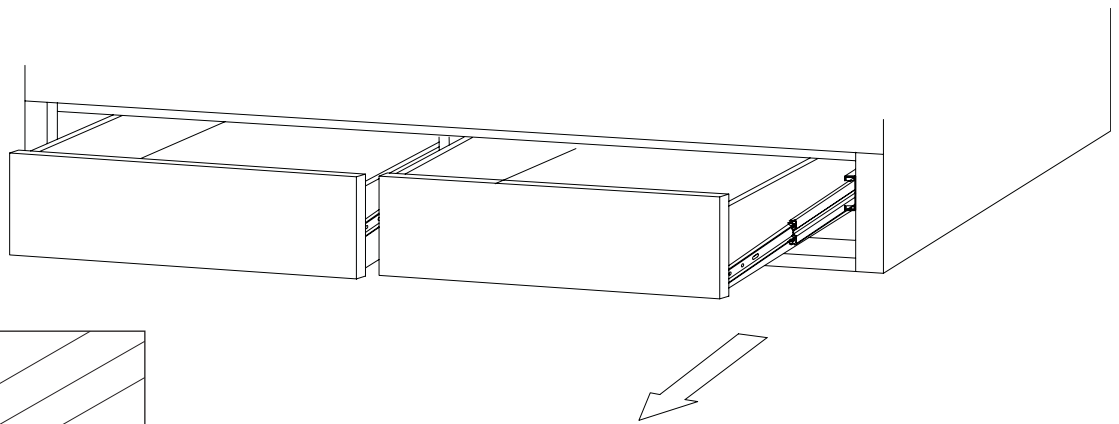
! Assemble this item on a soft surface, such as cardboard or carpet, to protect finish.

! Proper assembly of this item requires 2 people.

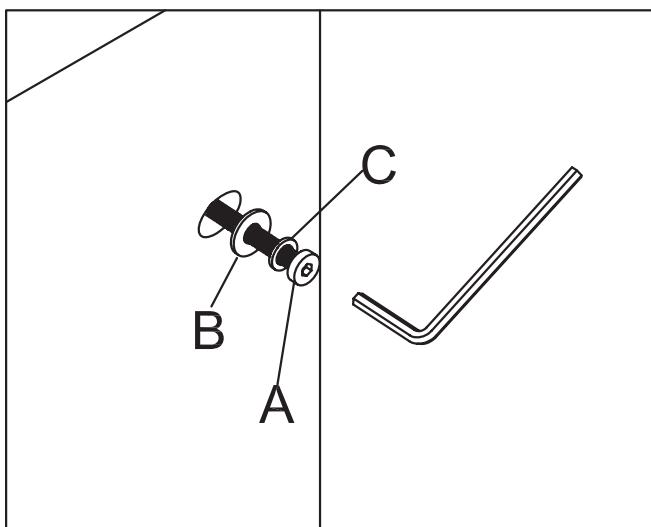
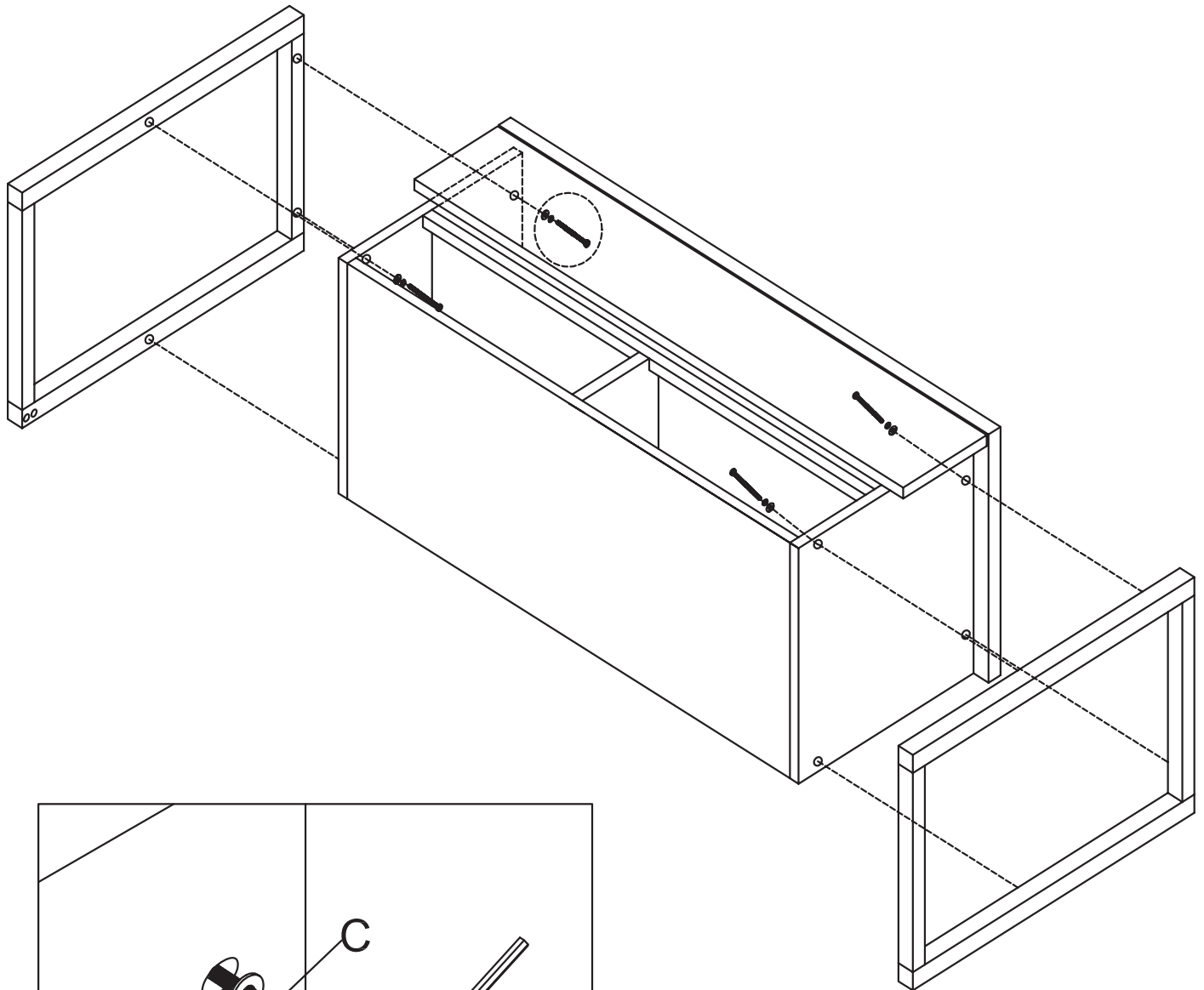
Hardware



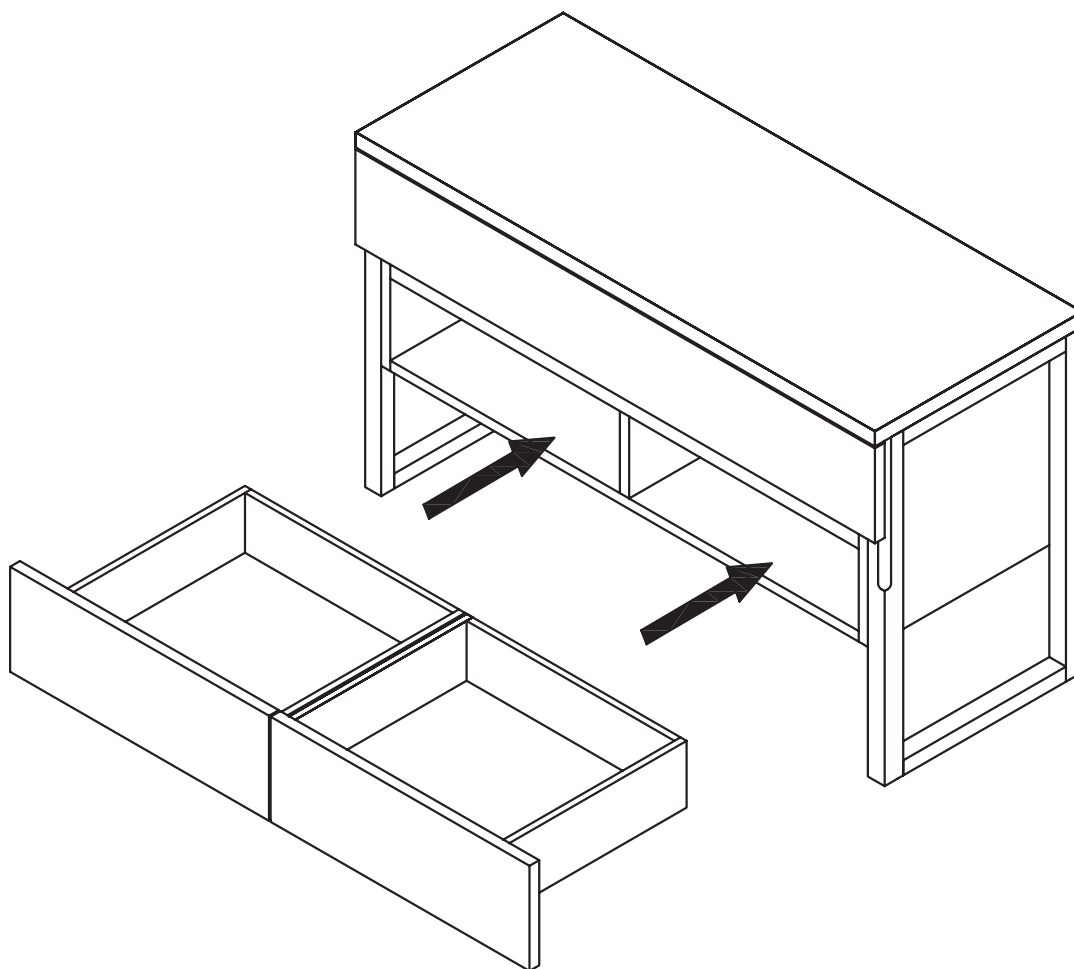
1. Remove bottom drawers. Lift up/push down plastic levers on opposite sides to release drawers while pulling out. Facing the drawers, the left lever will need to be pushed up and the right lever will need to be pushed down at the same time while pulling the drawer out. (Note : when handling the levers be aware that these may be greasy)



2. Align end frames to each end as shown. Insert bolt (A), lock washer (C), and flat washer (D). Tighten with supplied



3. Replace bottom drawers making sure to align guides correctly.



CARE INSTRUCTIONS

Hardware may loosen overtime. Periodically check that all connections are tight.

Wipe with a soft, dry cloth. To protect finish, avoid the use of chemicals and household cleaners.