



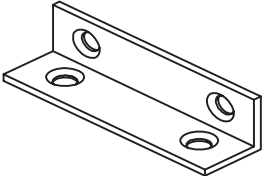
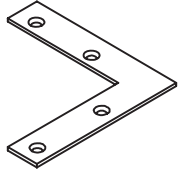
! Tools supplied:

! Do not throw away packaging materials until assembly is complete.

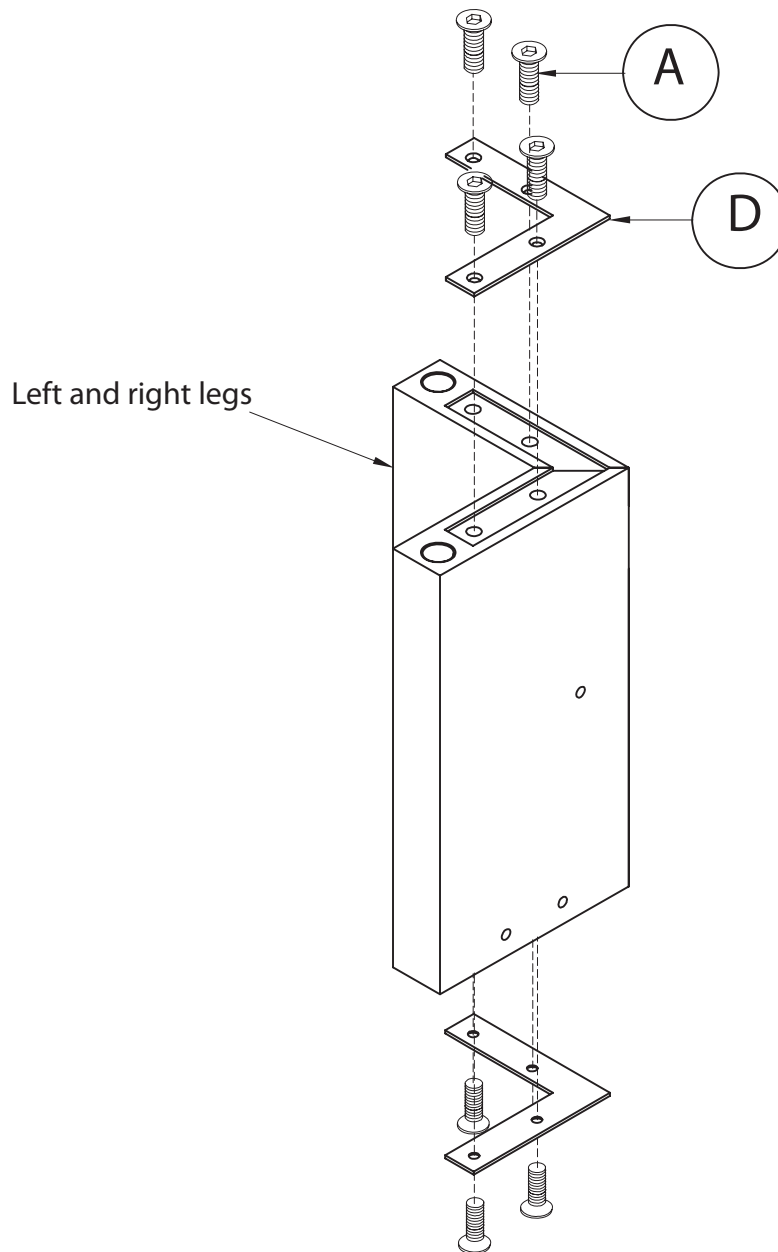
! Assemble this item on a soft surface, such as cardboard or carpet, to protect finish.

! Proper assembly of this item requires 2 people.

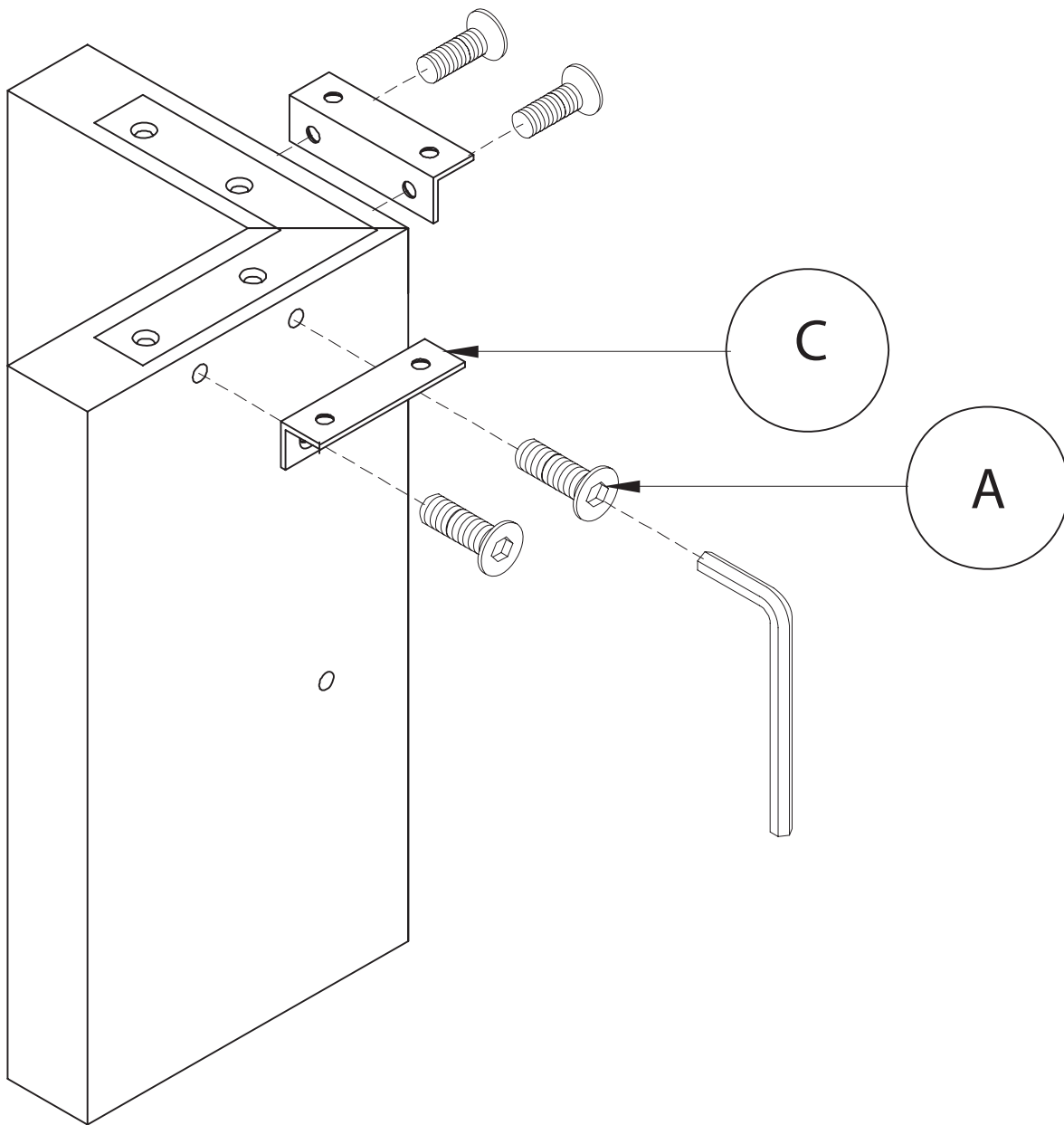
## Hardware

<p>A</p>  <p>bolts 6mm x 30mm 64x</p>	<p>B</p>  <p>bolt 6mm x 40mm 8x</p>
<p>C</p>  <p>angle bracket 8x</p>	<p>D</p>  <p>corner bracket 8x</p>

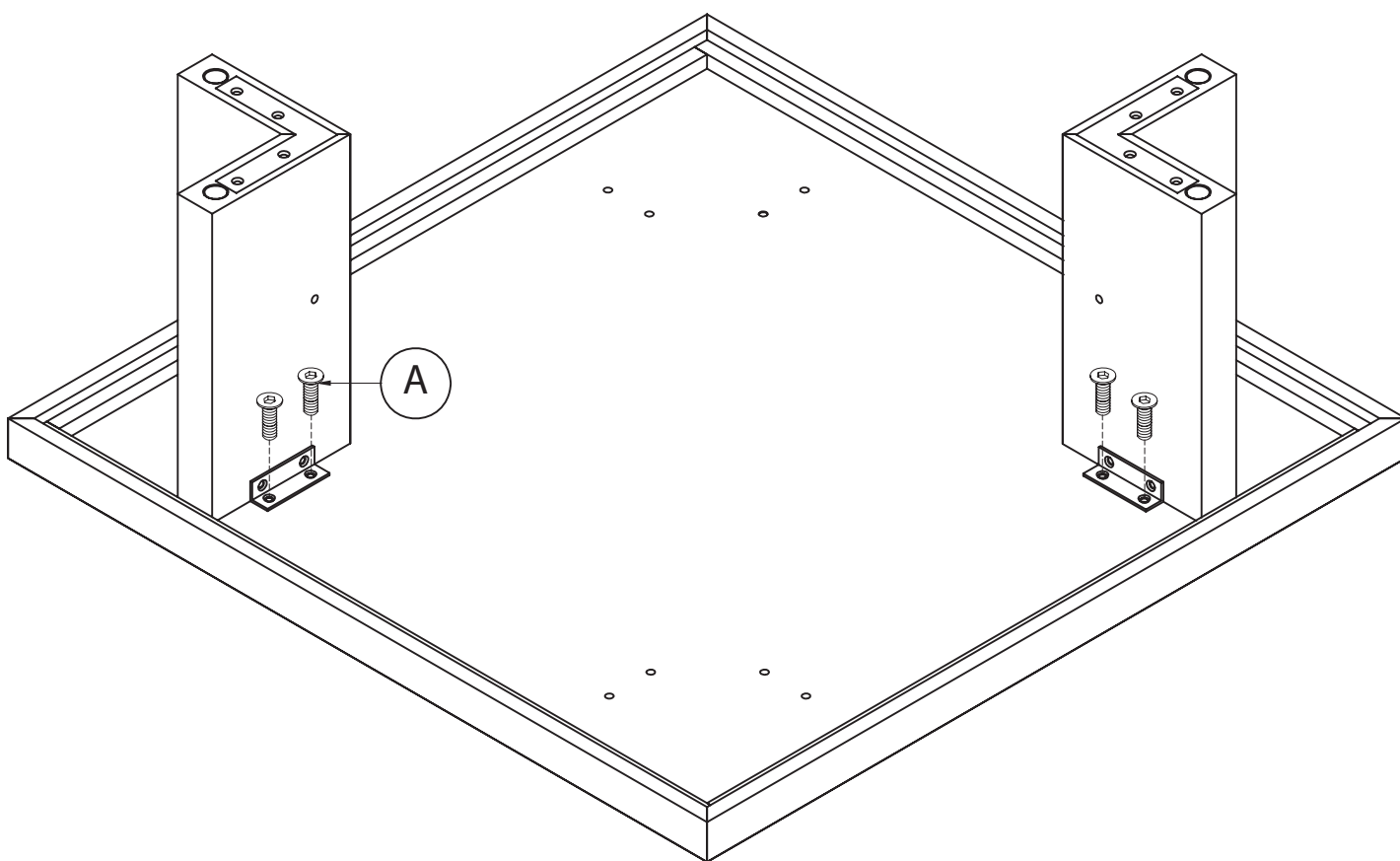
1. Align the left and right legs so that the mitered sides touch like the drawing shows. Insert corner bracket (D) into the slots on both ends. Insert bolt (A) through the corner bracket (D). Tighten with supplied hex key. DO NOT OVERTIGHTEN!



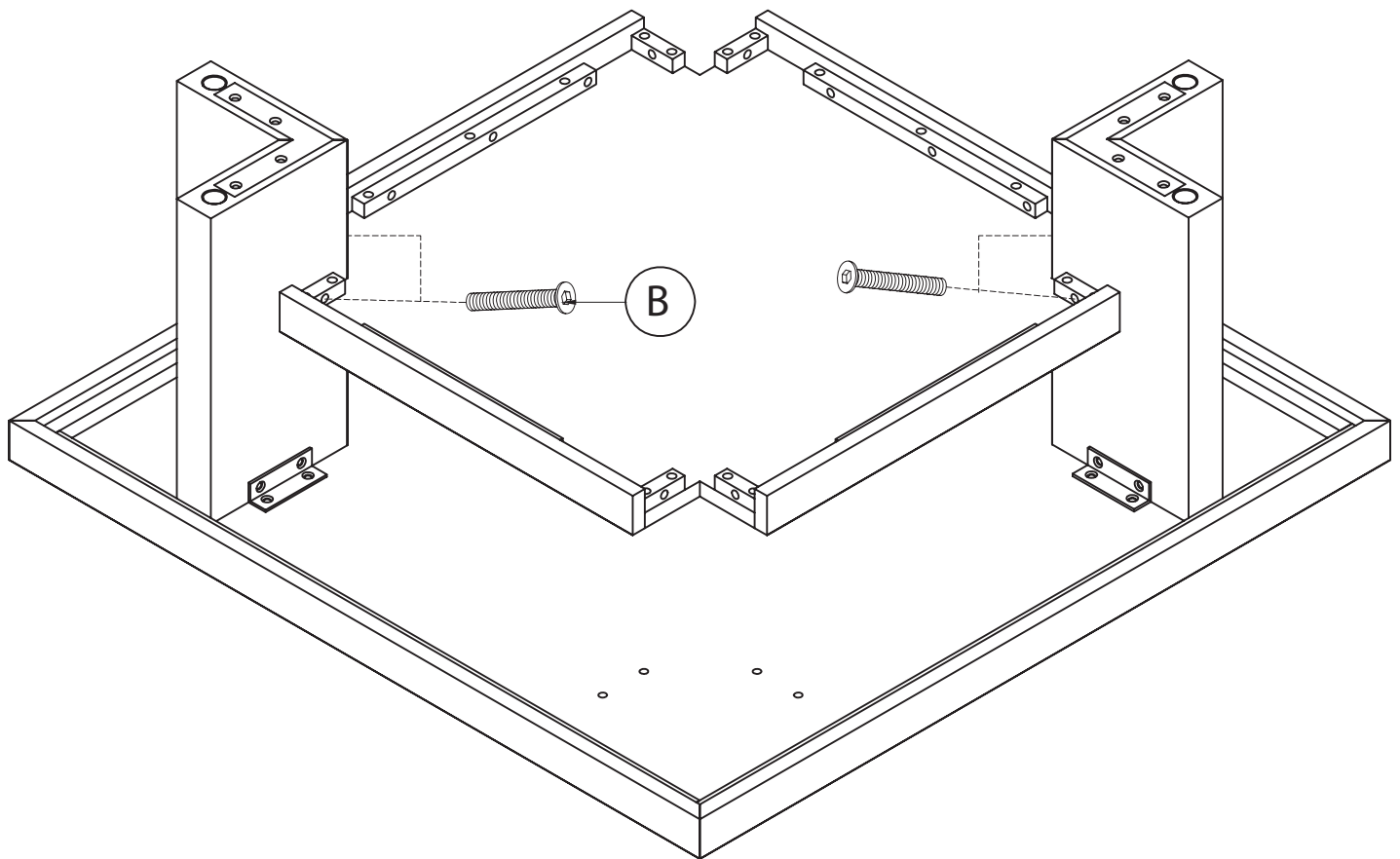
2. Attach angle brackets (C) onto the sides of the assembled legs. Insert bolt (A) through the bracket into the legs. Tighten with supplied hex key. DO NOT OVERTIGHTEN.



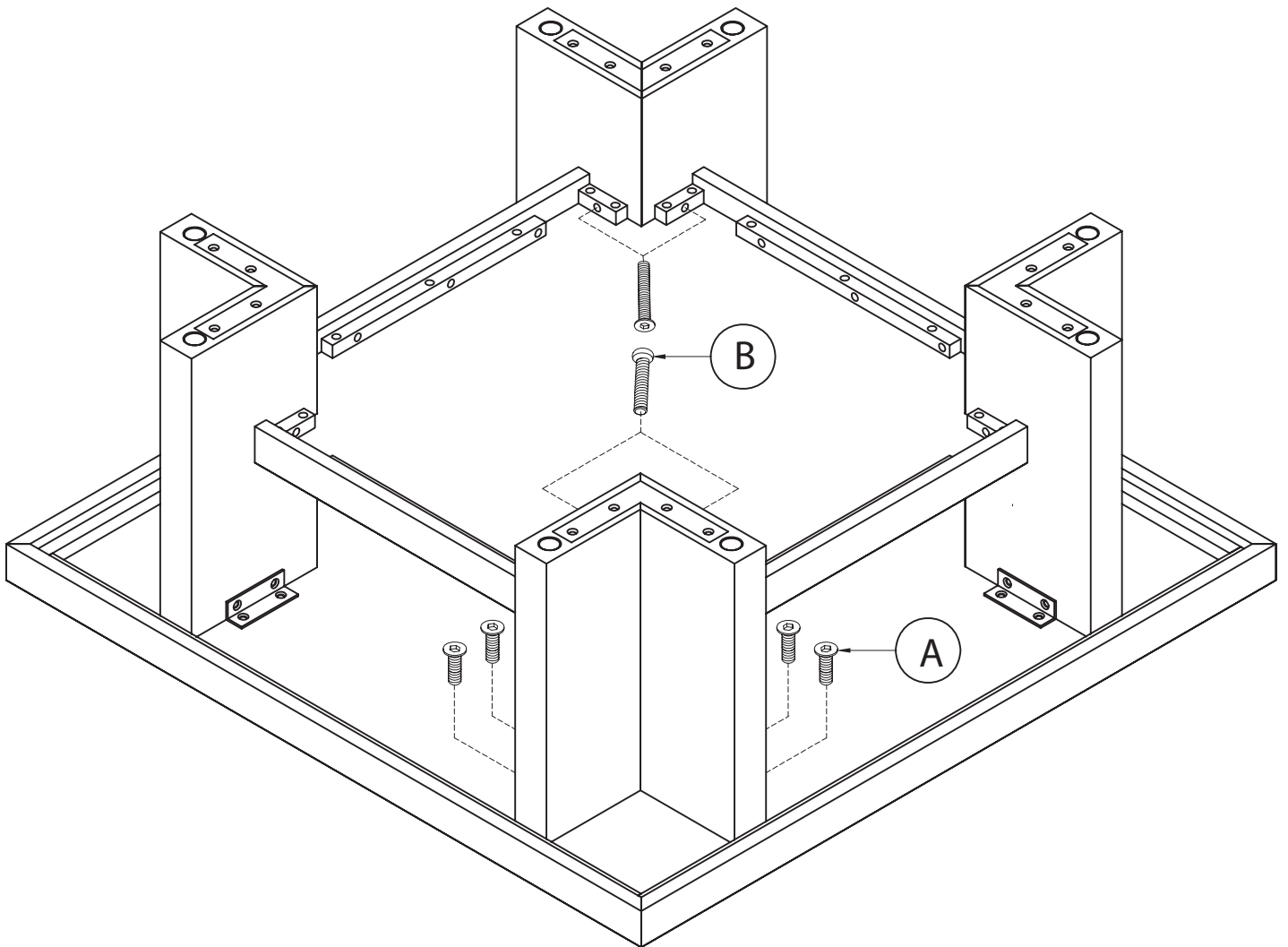
3. lay the top panel face down on a clean smooth surface such as carpet or cardboard. Align 2 leg assemblies at opposite corners like the drawing shows. Insert bolt (A). Tighten with supplied hex key.



4. Align shelf with holes on leg assemblies. Insert bolt (B). Tighten with supplied hex key.



5. Attach the other 2 leg assemblies with bolt (A). Tighten with supplied hex key. Insert bolt (B) through cleats on shelf and into legs. Tighten with supplied hex key. **DO NOT OVERTIGHTEN!**



#### CARE INSTRUCTIONS

Hardware may loosen overtime. Periodically check that all connections are tight.

Wipe with a soft, dry cloth. To protect finish, avoid the use of chemicals and household cleaners.