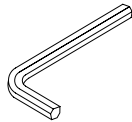
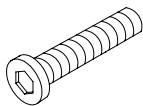


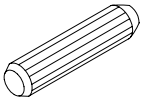
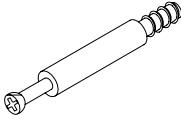

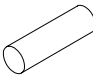


! Tools required: 

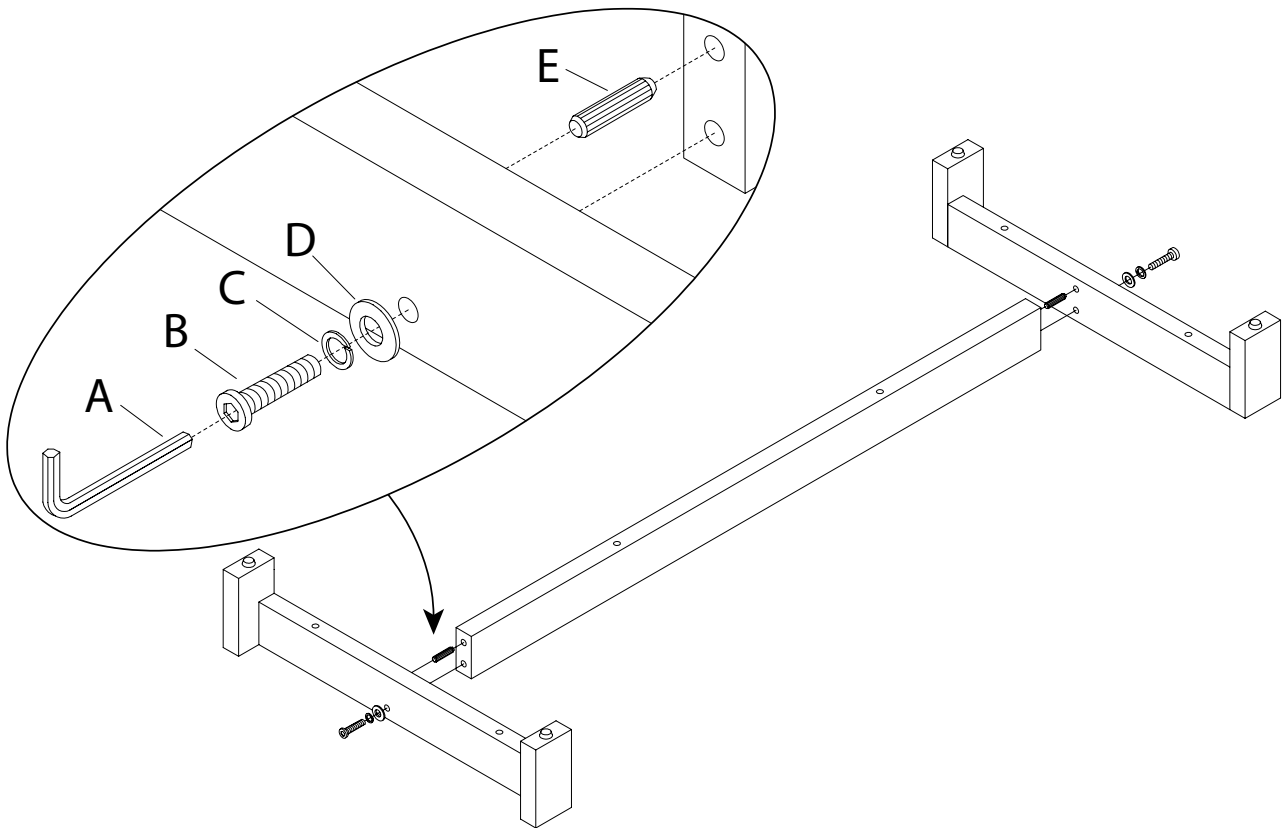
! Do not throw away packaging materials until assembly is complete.

! Assemble this item on a soft surface, such as cardboard or carpet, to protect finish.

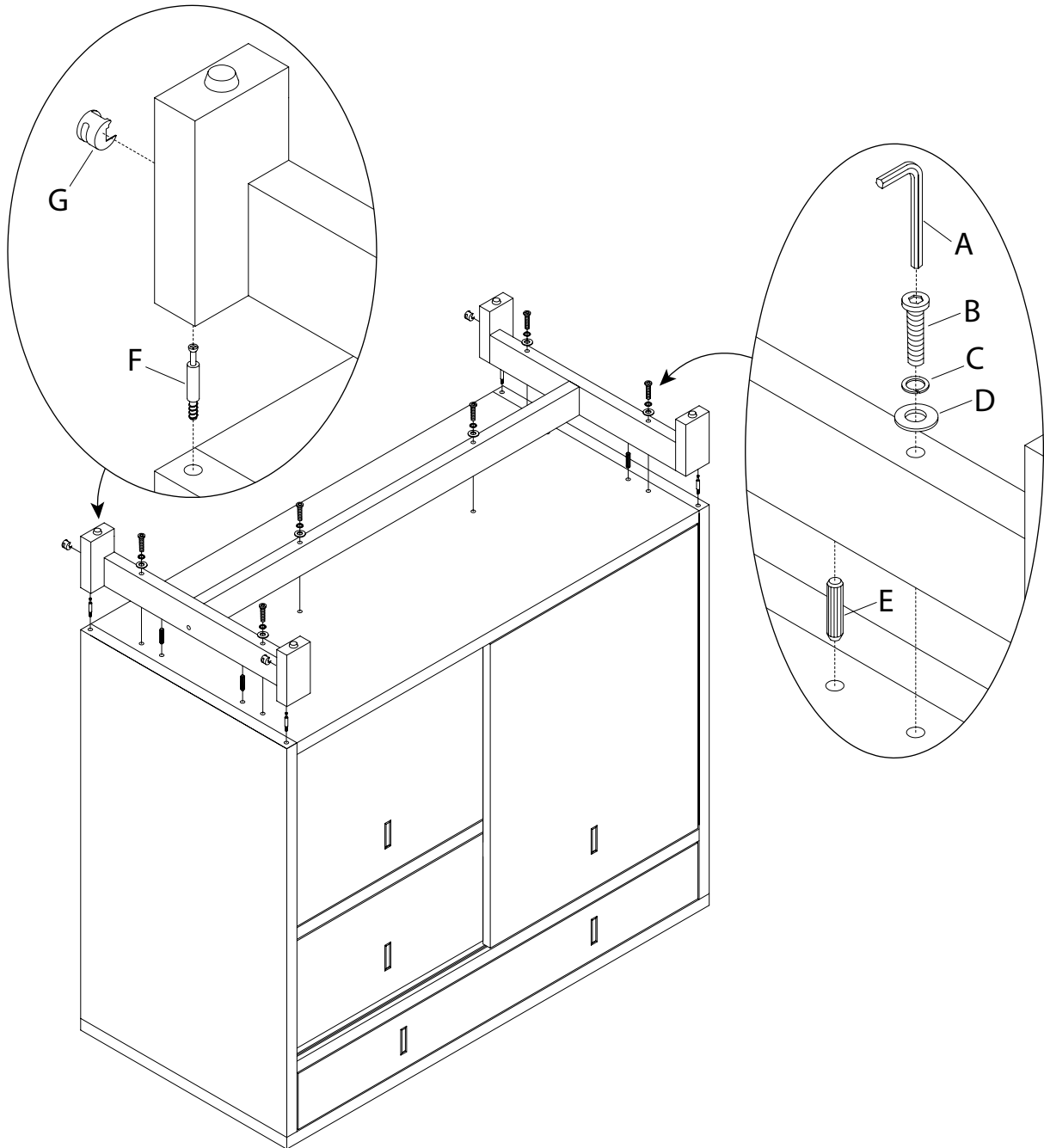
! Proper assembly of this item requires 2 people.

A  allen key 1x	B  allen bolt 8x
C  lock washer 8x	D  flat washer 8x
E  wood dowel 6x	F  cam bolt 4x
G  cam lock 4x	H  shelf pin 4x

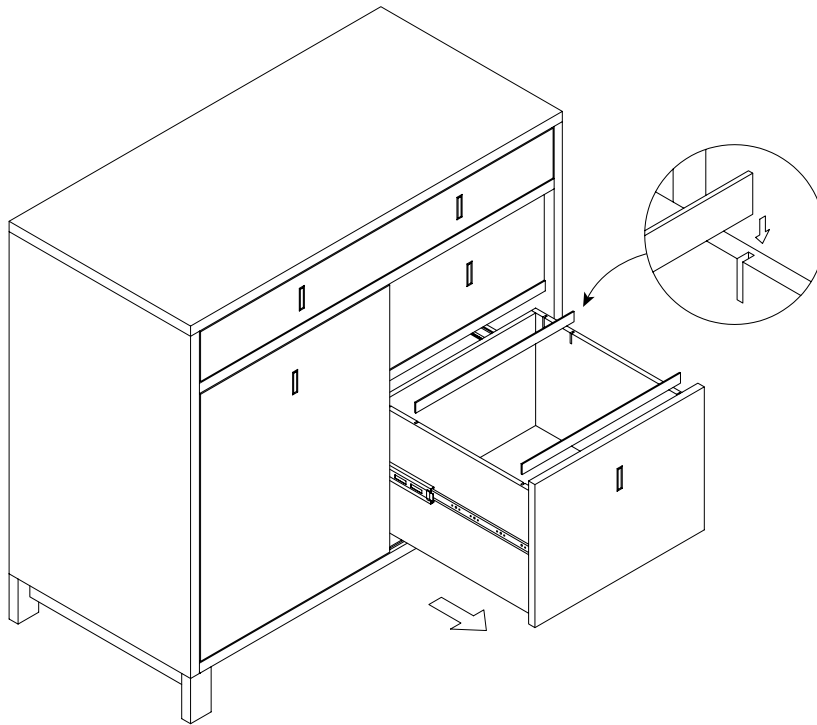
1. Fasten cross-support to leg sides using allen bolt (B), lock washer (C), and flat washer (D) in order as shown. Tighten bolts using allen key (A).



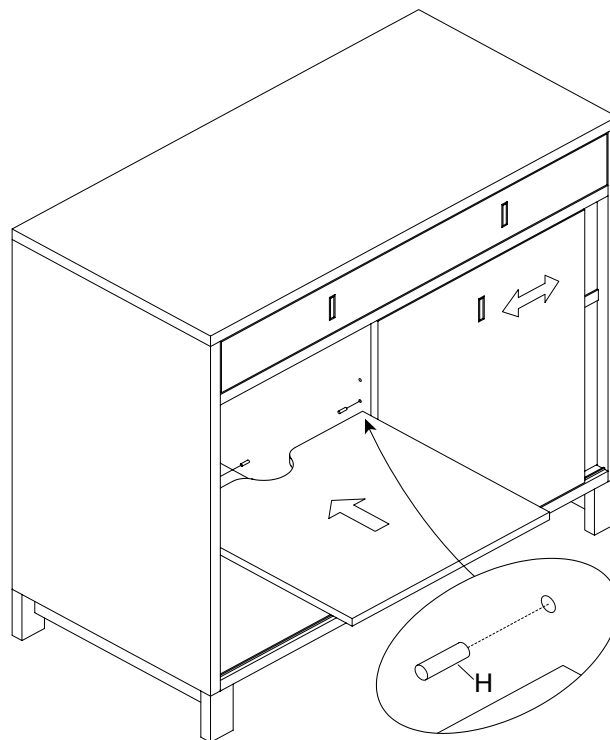
2. Screw cam bolts (F) into legs.
3. Insert wood dowels (E) into pre-drilled holes in base.
4. Insert cam locks (G) into legs. Be sure arrow on cam lock is facing towards the edge of the panel to receive the cam bolt.
5. Insert cam bolts into legs and tighten cam locks using a phillips screwdriver.
6. Fasten leg assembly to base using allen bolt (A), lock washer (B), lock washer (C), and flat washer (D) in order as shown. Tighten bolts using allen key (A).



7. Pull out file drawers and set metal file hangers into slots as shown.



8. Insert shelf pins (H) at desired locations as shown. Set in shelf.



CARE INSTRUCTIONS

Hardware may loosen over time. Periodically check that all connections are tight.

Wipe with a soft, dry cloth. To protect finish, avoid the use of chemicals and household cleaners.