

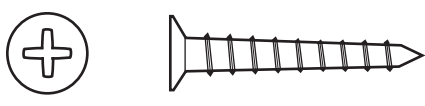
! Tools required: 

! Do not throw away packaging materials until assembly is complete.

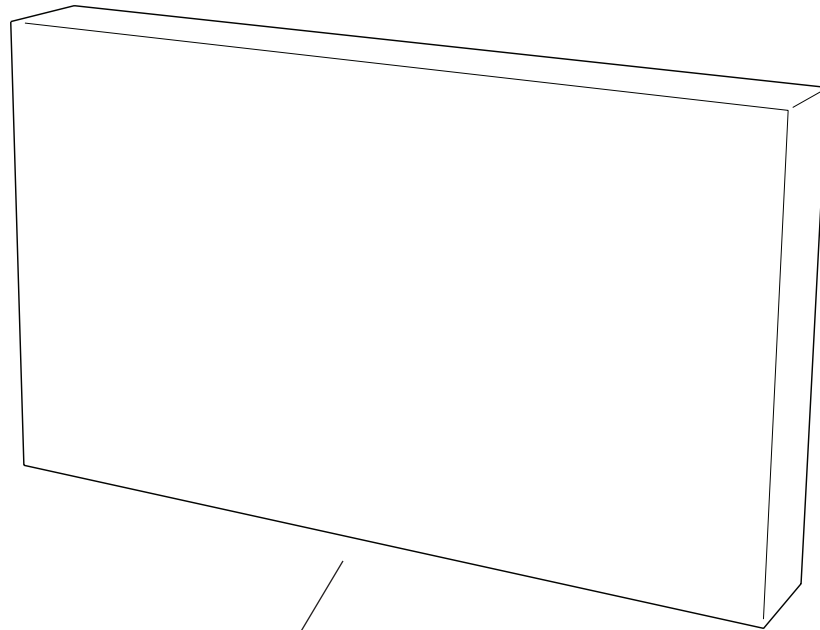
! Assemble this item on a soft surface, such as cardboard or carpet, to protect finish.

! Proper assembly of this item requires 2 people.

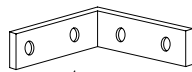
A



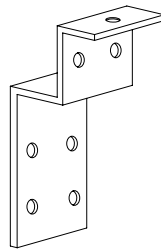
screw 35x



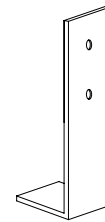
headboard



corner bracket 2x

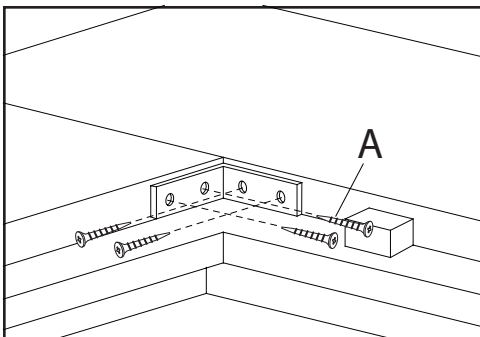
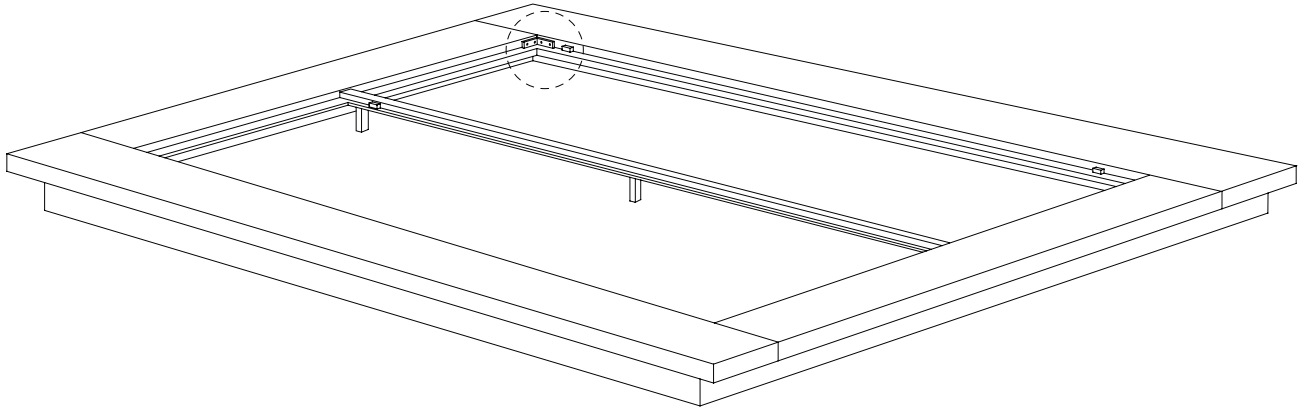


headboard bracket 3x

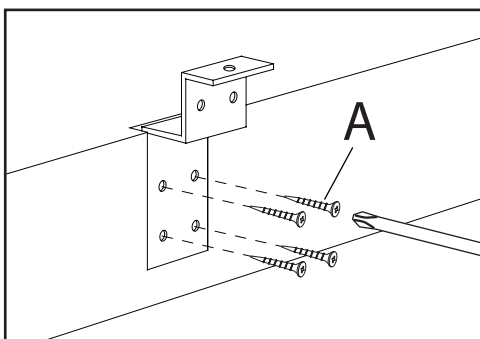
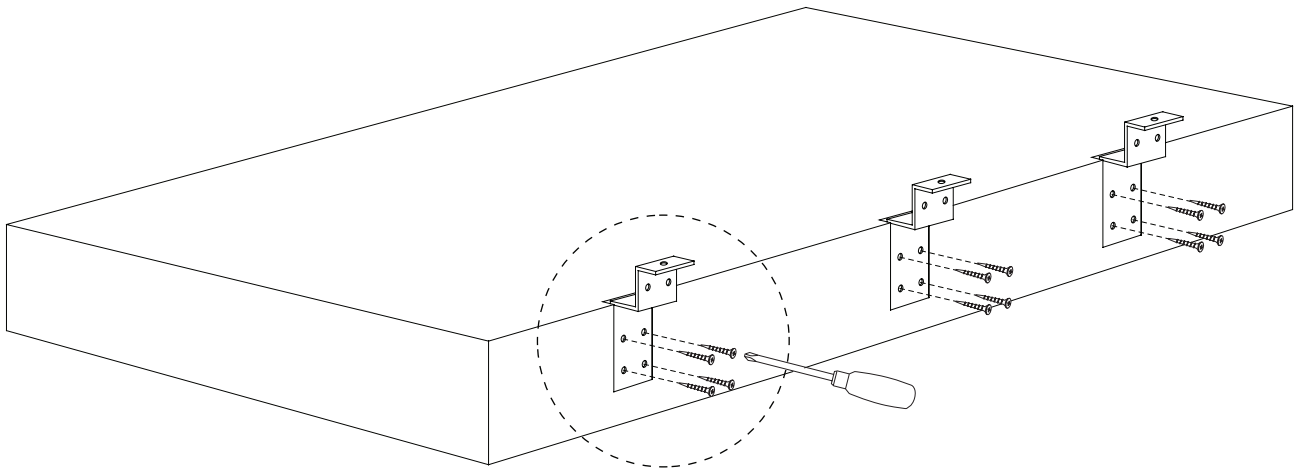


back bracket 3x

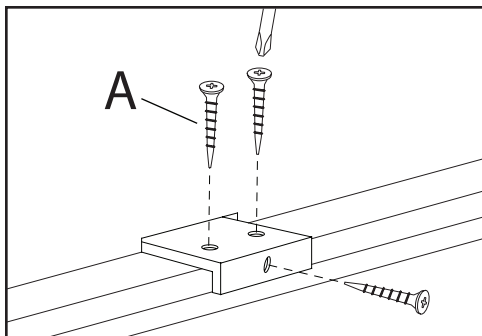
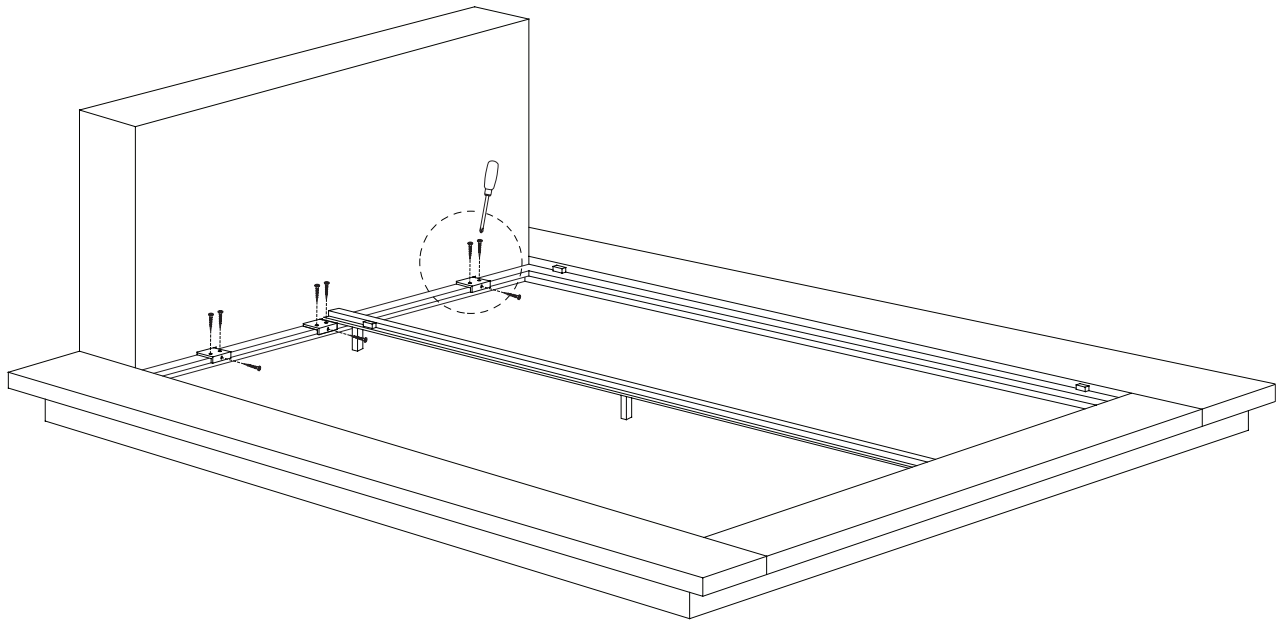
1. Attach 2 corner brackets to bed frame as shown. Insert 8 screws (A) and tighten with phillips screwdriver. Pre-drill screw holes using an electric drill and 1/8" drill bit. Some beds already have pre-drilled holes.



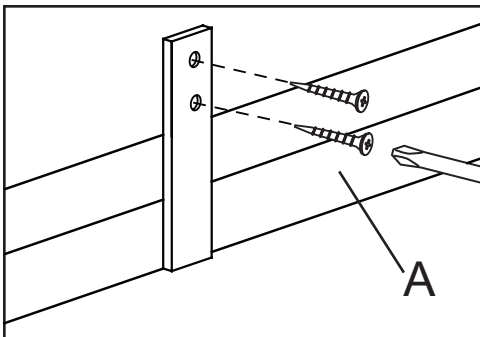
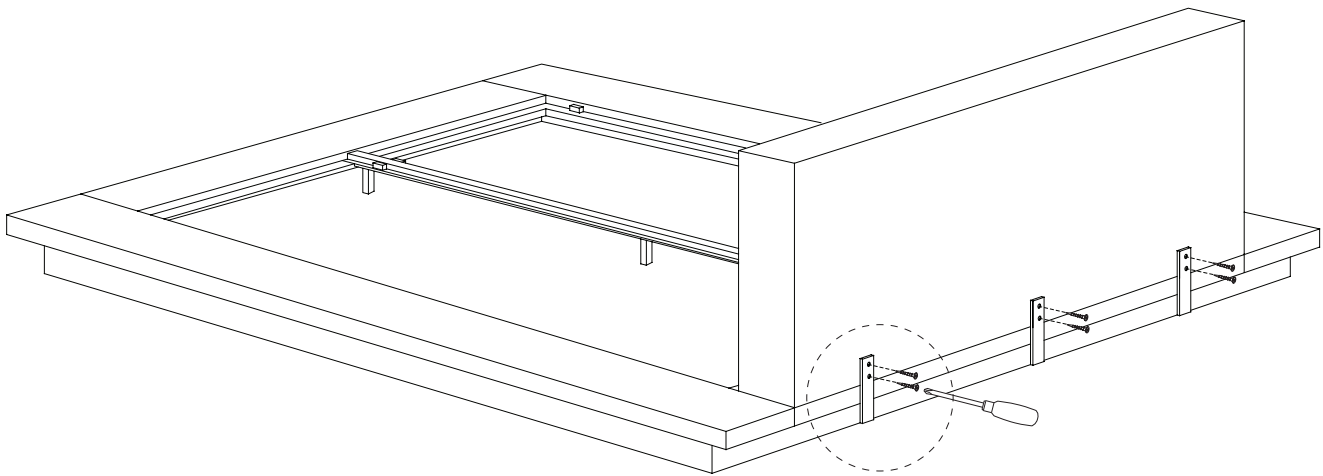
2. Attach 3 headboard brackets to bottom of headboard as shown. Insert 12 screws (A) into pre-drilled holes and tighten with phillips screwdriver.



3. Attach headboard to platform bed as shown. Insert 9 screws (A) through headboard brackets into bed frame and tighten with phillips screwdriver. Pre-drill screw holes using an electric drill and 1/8" drill bit. Some beds already have pre-drilled holes.



4. Attach 3 back brackets to headboard as shown. Insert 6 screws (A) into pre-drilled holes and tighten with phillips screwdriver.



CARE INSTRUCTIONS

Hardware may loosen over time. Periodically check that all connections are tight.
Regularly vacuum or brush with nonmetallic stiff-bristle brush to remove dust and grime.
Protect from direct sunlight to prevent fading.