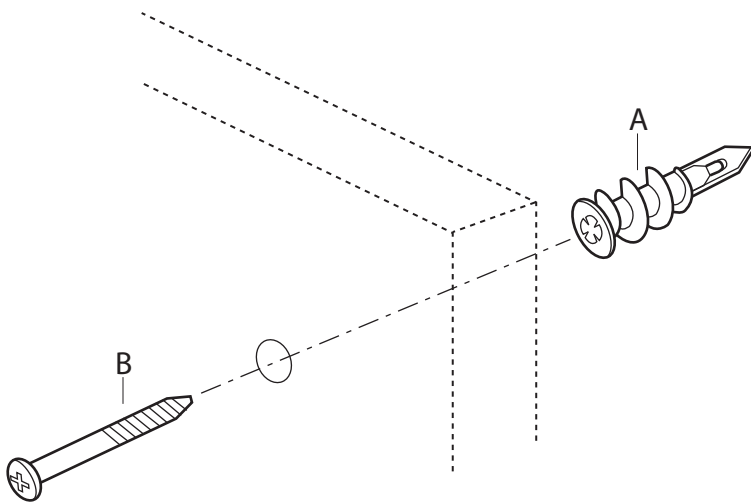
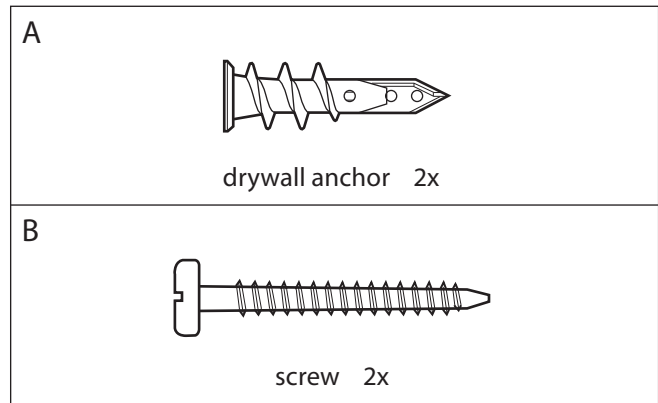


# west elm : wall shelf with doors

## mounting instructions

### NOTE:

- Stud mounting is recommended. Use proper hardware for your wall type (such as anchors for drywall). When in doubt, consult your local hardware store. For your safety, installation by two people is recommended.
- Designed to be used for decorative items only.
- Wipe with a soft, dry cloth. To protect the finish, avoid the use of all chemicals and household cleaners.



! For drywall mounting, use anchors with screws.  
For stud mounting, use screws only.

1. Hold shelf at desired location. Use a carpenter's level to ensure the shelf will be level. With a pencil, mark on wall through pre-drilled holes inside the doors of the shelf. These marks will be used to determine the location of the mounting hardware.
3. For stud mounting: skip to step 3. For drywall mounting: using a Philip's head screwdriver, insert the drywall anchors (A) into the wall at the marked insertion points. Press and turn clockwise until anchors are flush with the wall.
3. Insert screws (B) through pre-drilled holes inside the doors of the shelf back into the anchors or at the insertion points. Tighten screws.