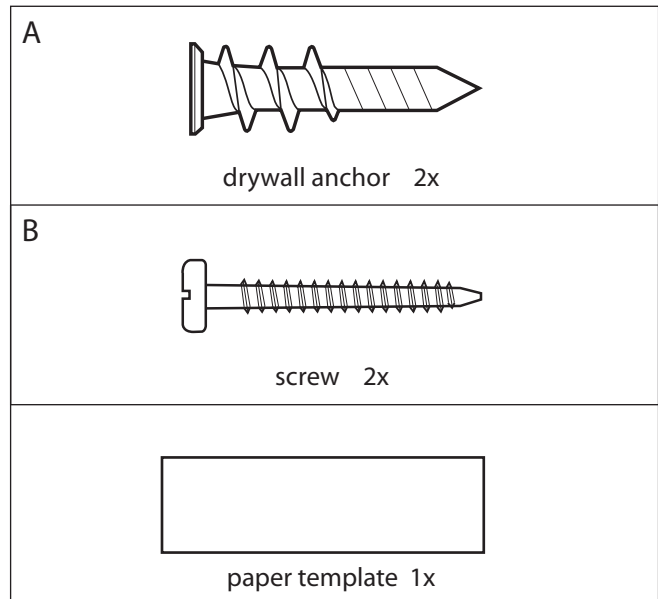


# west elm: tiled capiz mirror

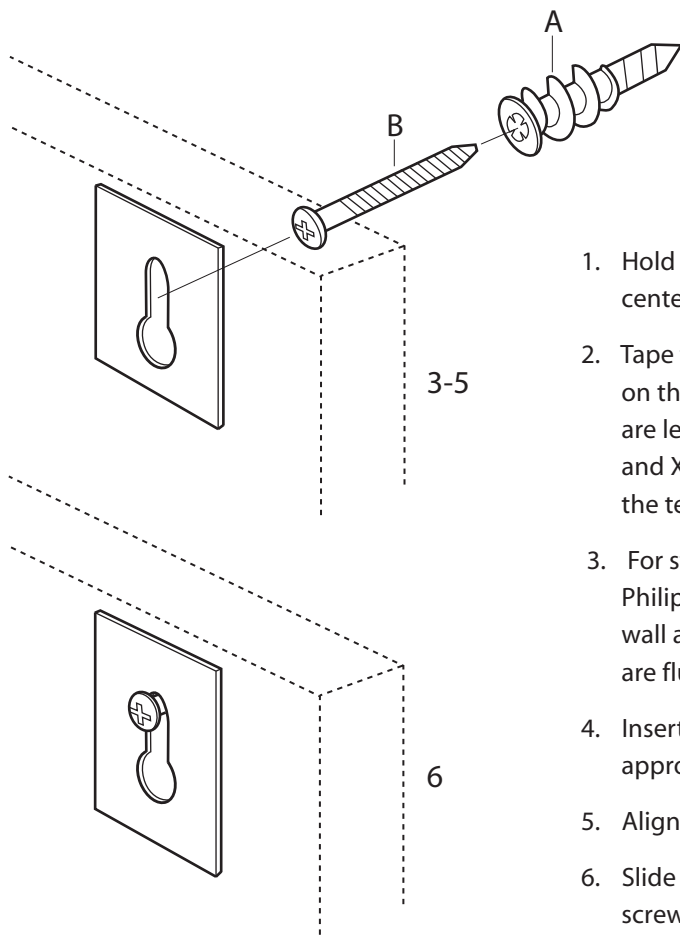
## mounting instructions

**NOTE:**

- Stud mounting is recommended. Use proper hardware for your wall type (such as anchors for drywall). When in doubt, consult your local hardware store. For your safety, installation by two people is recommended.
- This mirror can be mounted either way horizontally.
- Wipe with a soft, dry cloth. To protect the finish, avoid the use of all chemicals and household cleaners.



! For drywall mounting, use anchors with screws.  
For stud mounting, use screws only.



1. Hold mirror at desired location. With a pencil, mark on wall the top center edge of the mirror. This will be point "C" on the template.
2. Tape the template to the wall, with the point "C" at the pencil mark on the wall. Use a carpenter's level to ensure that points X1 and X2 are level. With a tack or nail, mark through the template at points X1 and X2. These will be the insertion points for the hardware. Remove the template.
3. For stud mounting: skip to step 4. For drywall mounting: using a Philip's head screwdriver, insert the drywall anchors (A) into the wall at the insertion points. Press and turn clockwise until anchors are flush with the wall.
4. Insert screws (B) into the anchors or at the insertion points, leaving approximately 1/2" between the back of the screw head and the wall.
5. Align keyhole notches over the screw heads.
6. Slide the mirror down until it rests on the screws. Tighten or loosen screws as needed to fit the mirror snugly against the wall.