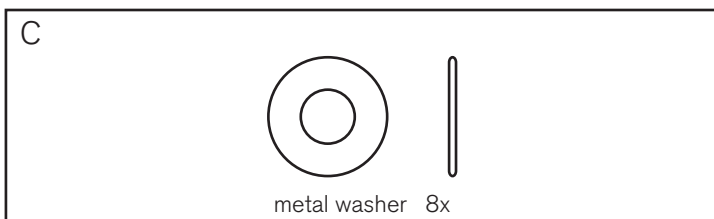
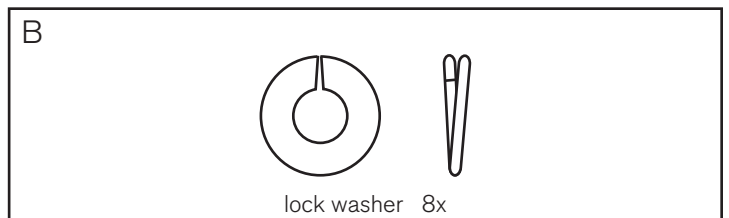
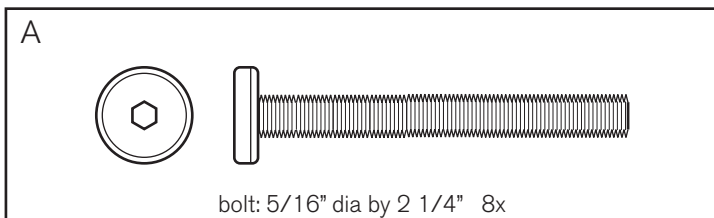


! Do not throw away packaging materials until assembly is complete.

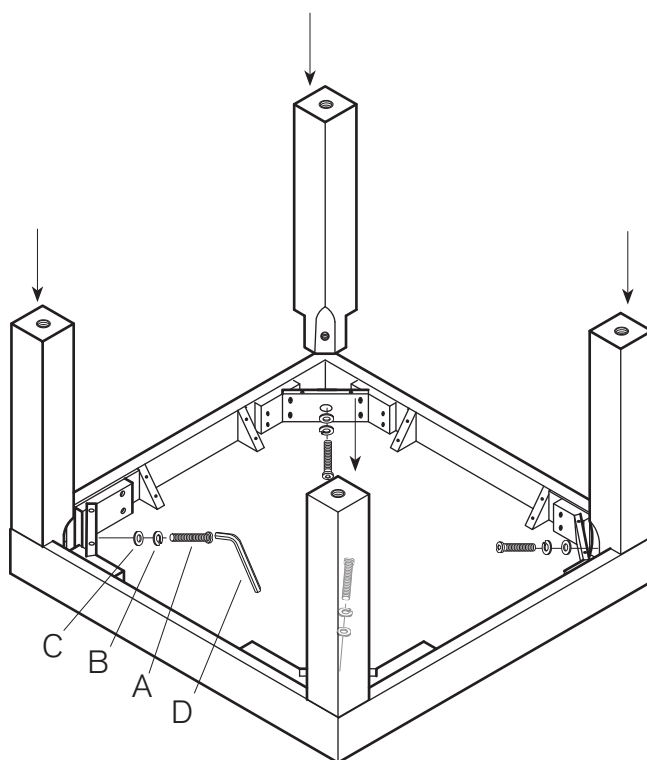
! Assemble this item on a soft surface, such as cardboard or carpet, to protect finish.

! Proper assembly of this item requires 2 people.

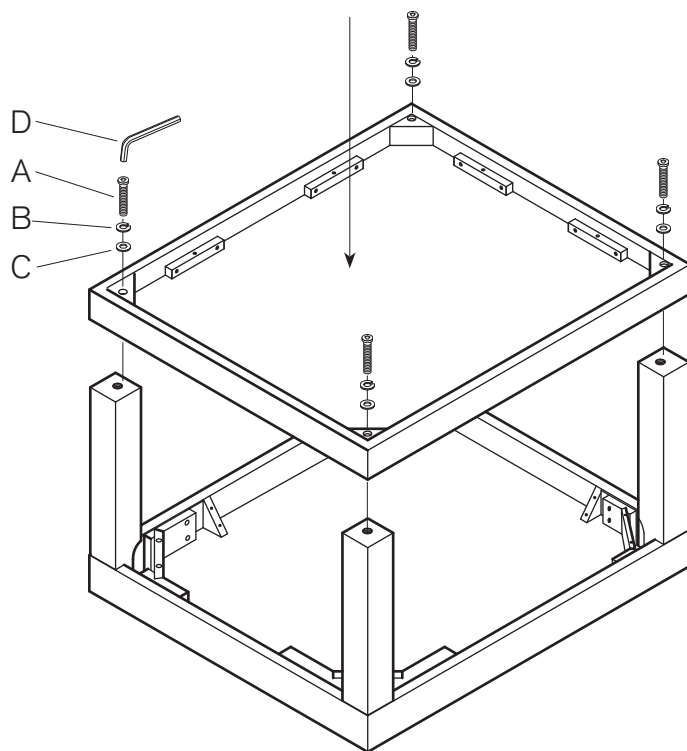


1. Align and insert legs at table top corners as shown.

2. Insert bolt (A) with lock washer (B) and metal washer (C) through predrilled hole in corner brackets of table top and into predrilled hole in leg as shown. Tighten with allen key (D).



3. Insert bolt (A) with lock washer (B) and metal washer (C) through predrilled hole in at corner of table bottom and into predrilled hole in leg as shown. Tighten with allen key (D).



#### CARE INSTRUCTION

Hardware may loosen over time. Periodically check that all connections are tight.

Wipe with a soft, dry cloth. To protect finish, avoid the use of chemicals and household cleaners.