

! Tools supplied:

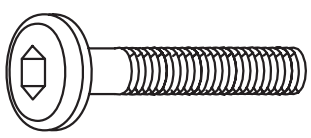
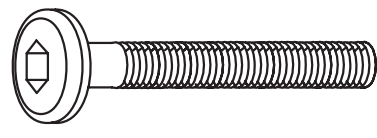

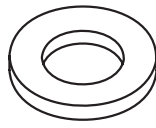


! Do not throw away packaging materials until assembly is complete.

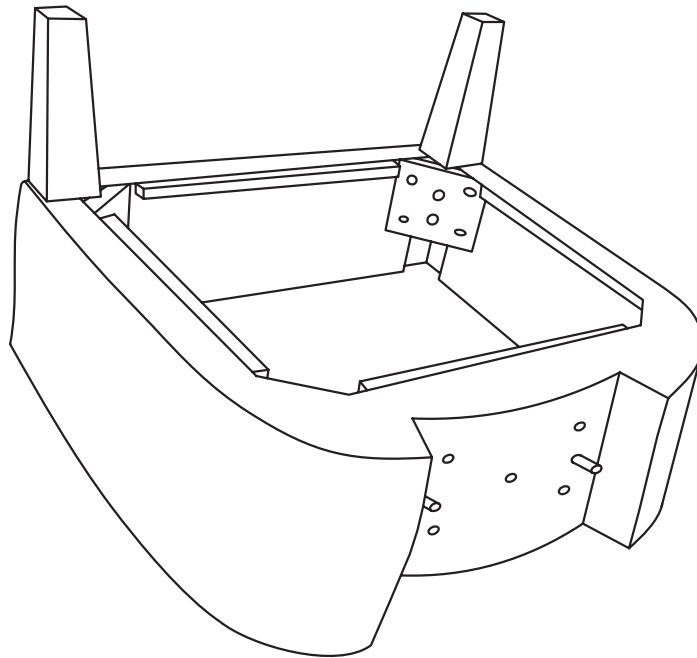
! Assemble this item on a soft surface, such as cardboard or carpet, to protect finish.

! Proper assembly of this item requires 2 people.

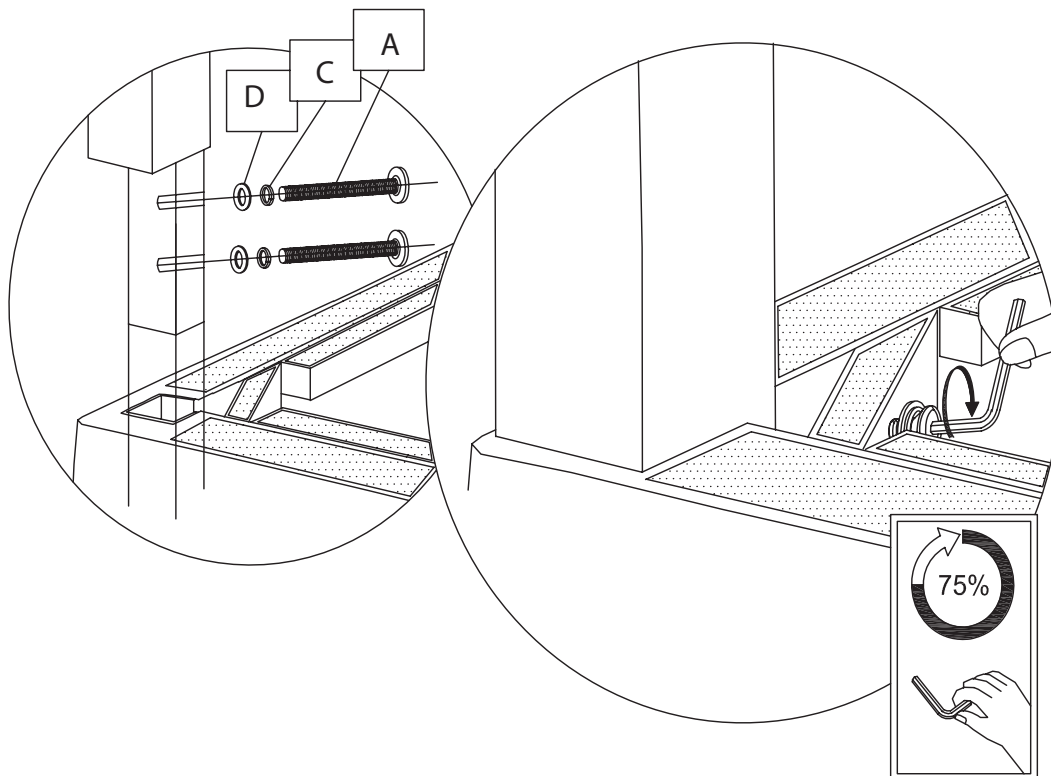
Hardware

<p>A</p>  <p>bolt M8 x 55 x8</p>	<p>B</p>  <p>bolt M8 x 90 x1</p>
<p>C</p>  <p>spring washer x9</p>	<p>D</p>  <p>flat washer x9</p>

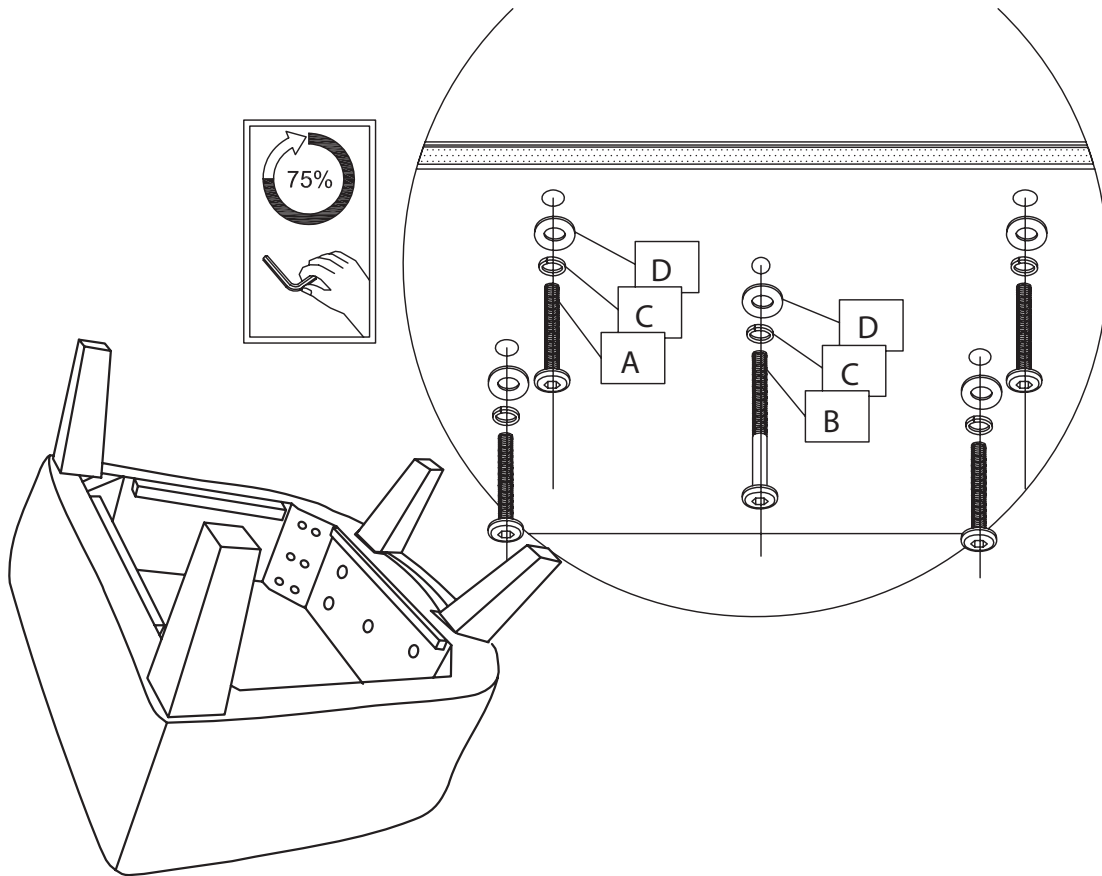
1. Flip the seat frame over onto a clean table top. Insert the front legs into the bottom of the seat frame.



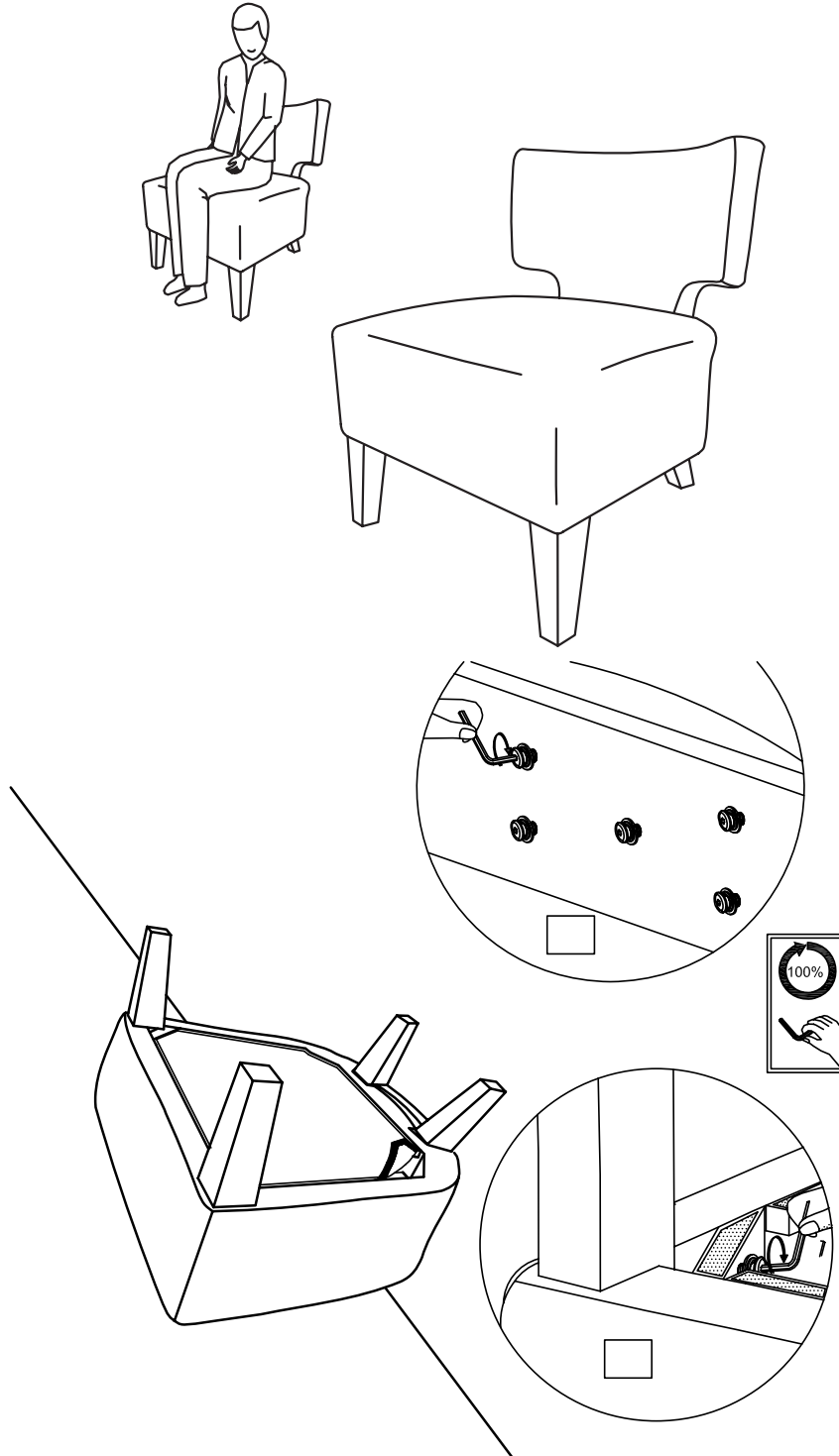
2. Align holes and insert bolt (A), spring washer (C), flat washer (D). Do not tighten completely.



3. Align back of chair with the seat frame, insert bolt (B), spring washer (C), flat washer (D) in center hole. Insert bolt (A), spring washer (C), and flat washer (D) into other 4 holes. Do not tighten completely.



4. Flip chair upright and sit in it to be sure legs are seated properly. Flip chair back over and fully tighten all bolts.



CARE INSTRUCTIONS

Hardware may loosen overtime. Periodically check that all connections are tight.

Wipe with a soft, dry cloth. To protect finish, avoid the use of chemicals and household cleaners.

Upholstery: Spot clean only.