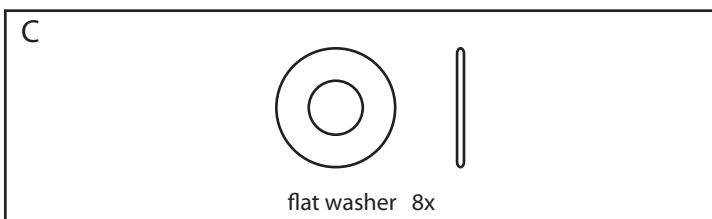
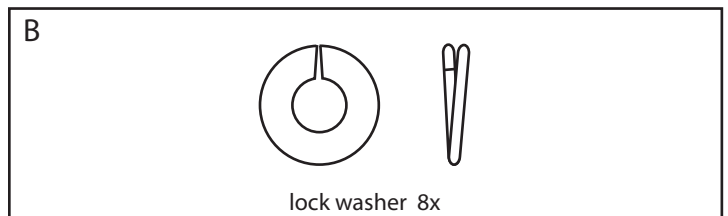
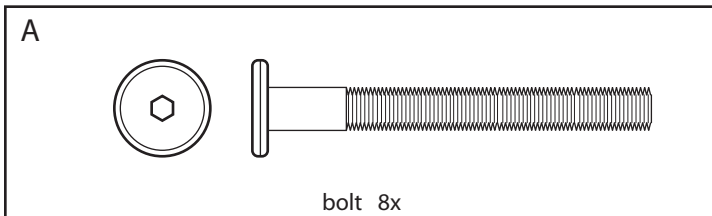
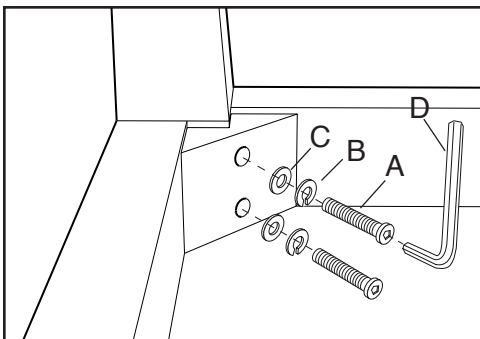
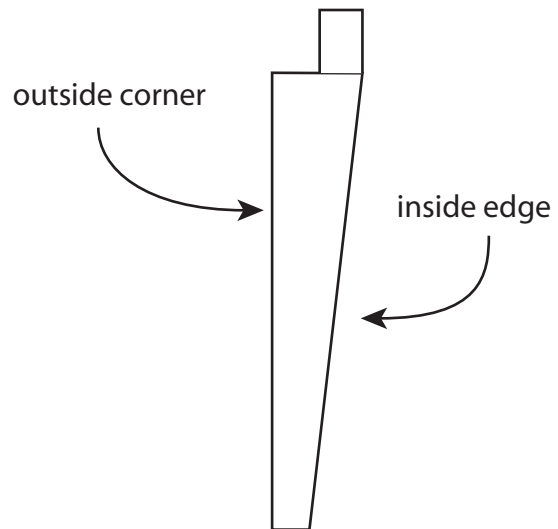
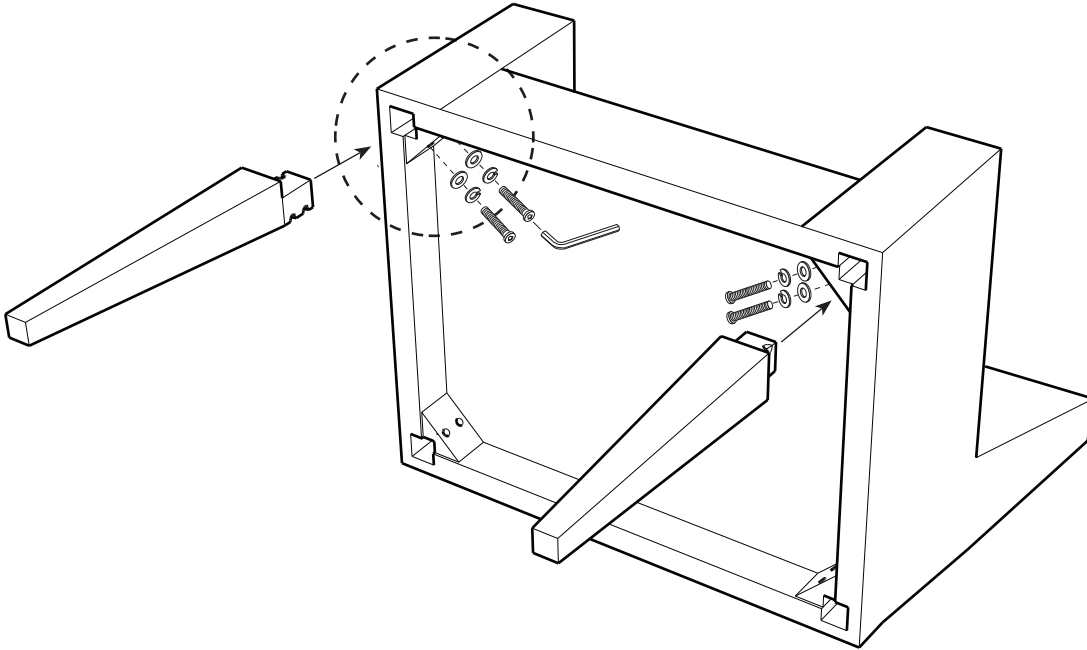


! Do not throw away packaging materials until assembly is complete.

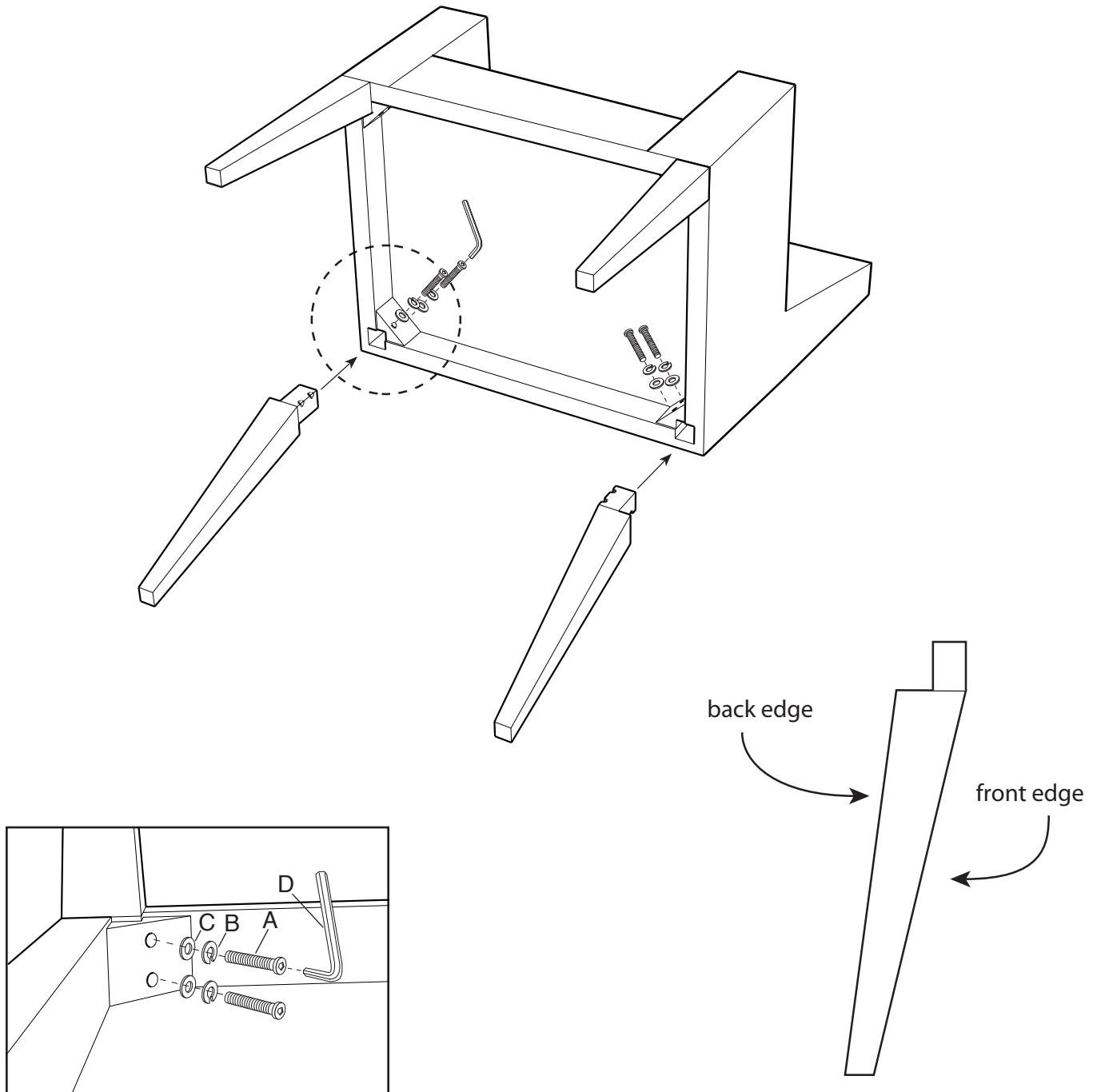
! Assemble this item on a soft surface, such as cardboard or carpet, to protect finish.



1. Lay chair on its back and insert left and right front legs into base of chair, orienting each leg as shown. Fasten legs to chair through holes using 4 bolts (A), lock washers (B), and flat washers (C) in order as shown. Tighten with allen key (D).



2. Insert left and right back legs into base of chair, orienting each leg as shown. Fasten legs to chair through holes using 4 bolts (A), lock washers (B), and flat washers (C) in order as shown. Tighten with allen key (D).



## CARE INSTRUCTIONS

Hardware may loosen over time. Periodically check that all connections are tight.

Wipe with a soft, dry cloth. To protect finish, avoid the use of chemicals and household cleaners.

Upholstery: Spot clean only.