

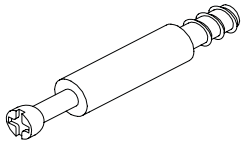
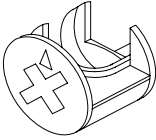
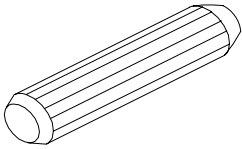
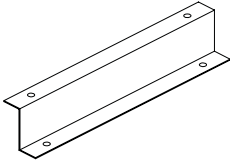
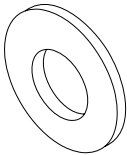
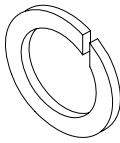
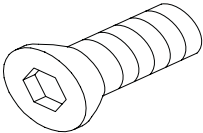
! Tools required:

! Do not throw away packaging materials until assembly is complete.

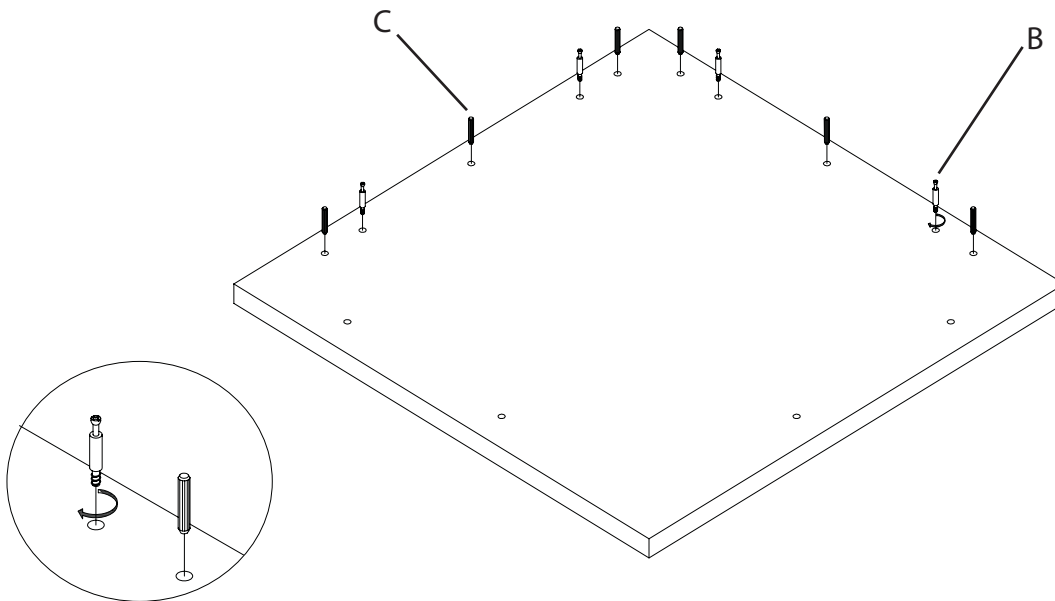
! Assemble this item on a soft surface, such as cardboard or carpet, to protect finish.

! Proper assembly of this item requires 2 people.

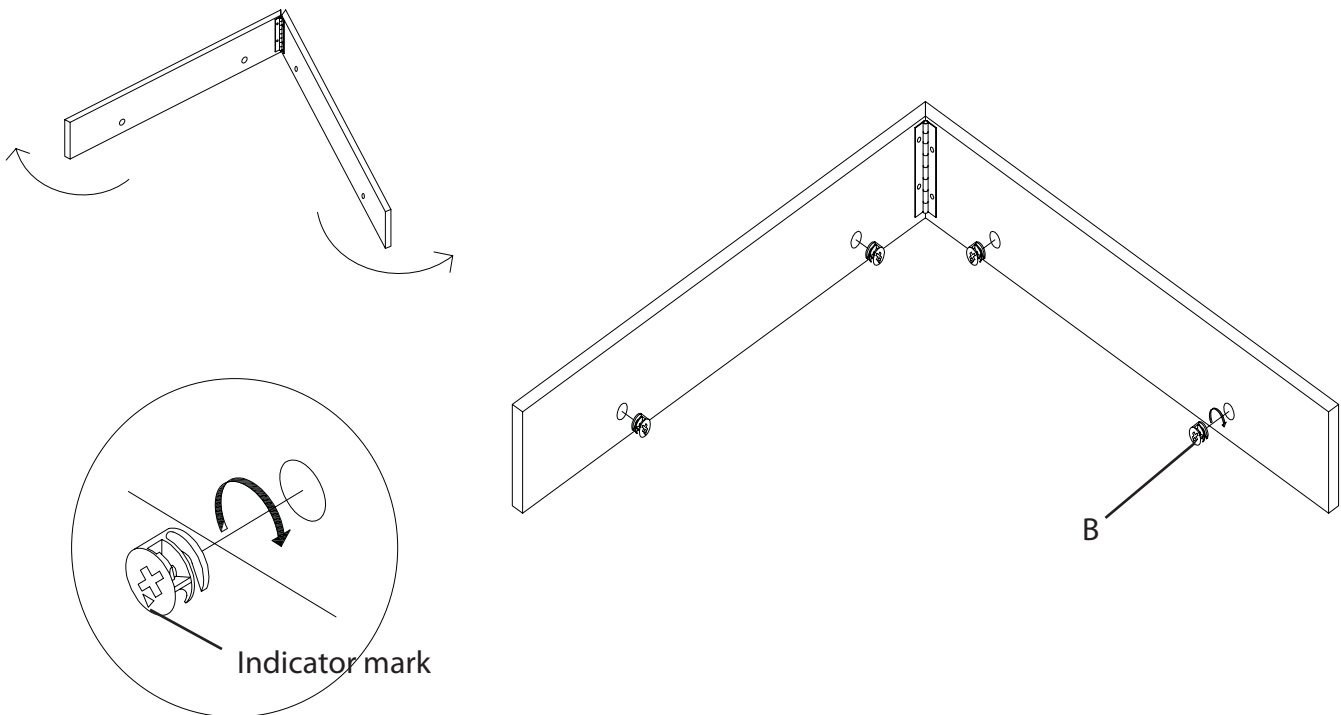
Hardware

<p>A</p>  <p>cam bolt 4x</p>	<p>B</p>  <p>cam lock 4x</p>
<p>C</p>  <p>wooden dowel 6x</p>	<p>D</p>  <p>metal bracket 2x</p>
<p>E</p>  <p>flat washer 8x</p>	<p>F</p>  <p>spring washer 8x</p>
<p>G</p>  <p>bolt 8x</p>	

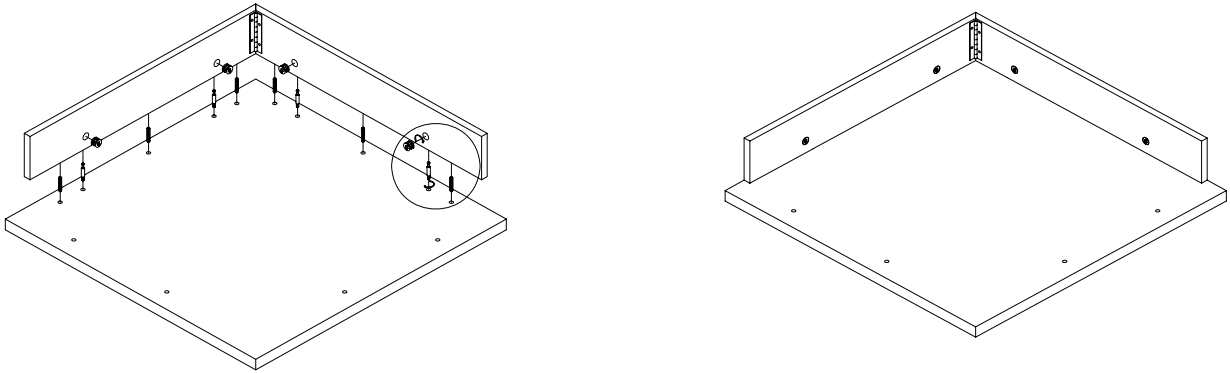
1. Lay wedge face down on a clean smooth surface. Insert 6 dowels (C) into wedge holes as shown. Next screw in 4 cam bolts (A) into threaded holes as shown.



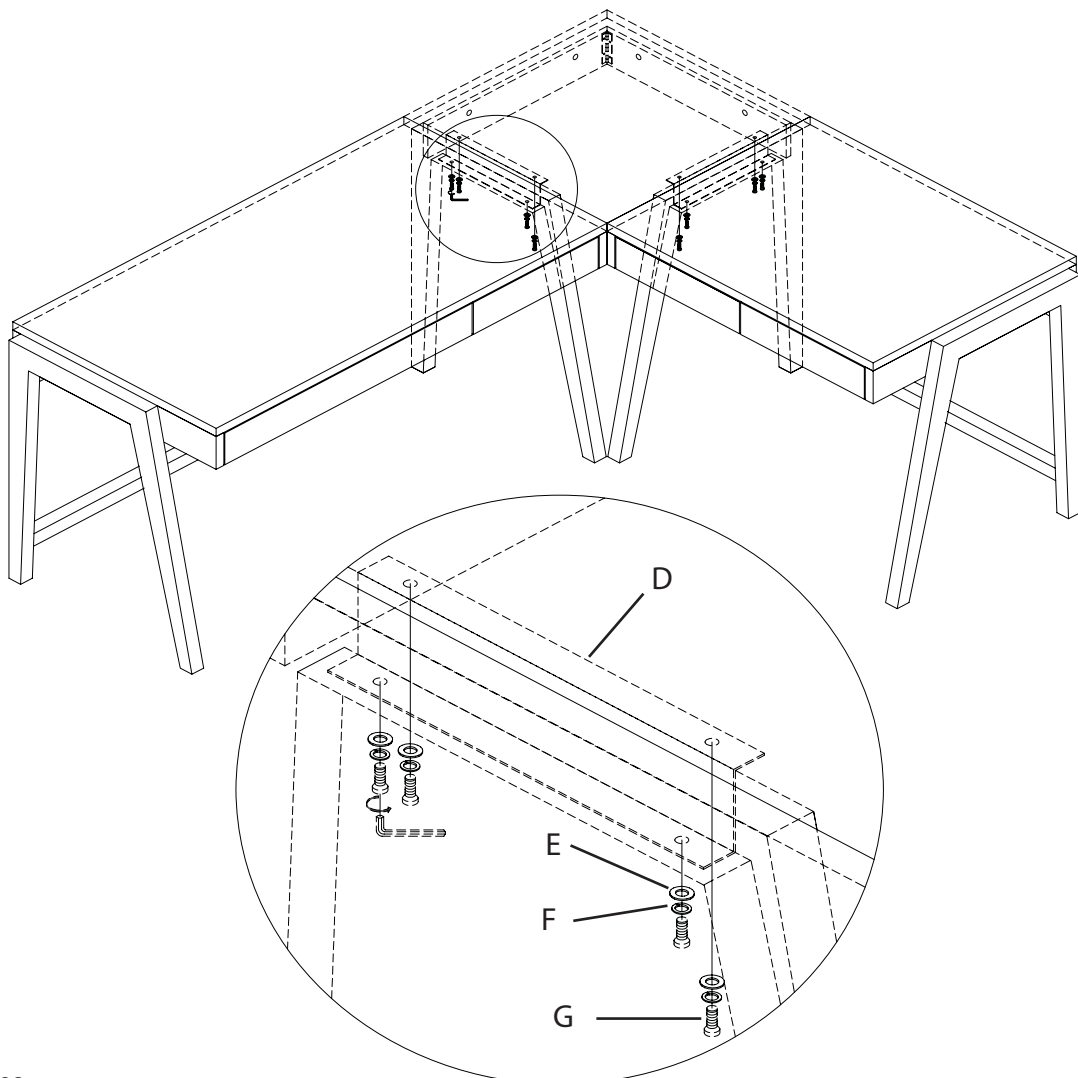
2. Open wedge rails to a 90 degree angle. Insert 4 cam locks (B) into the holes in the wedge. Make sure the indicator mark points downward.

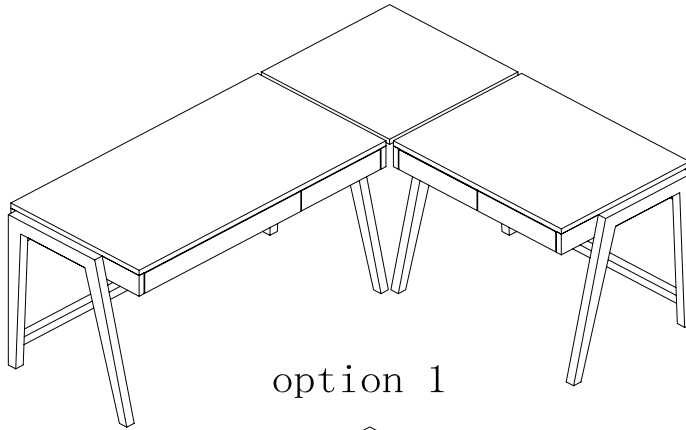


3. Align the wedge rails onto the wedge. Tighten each cam lock (B) 1/2 turn clockwise with a phillips head screwdriver.

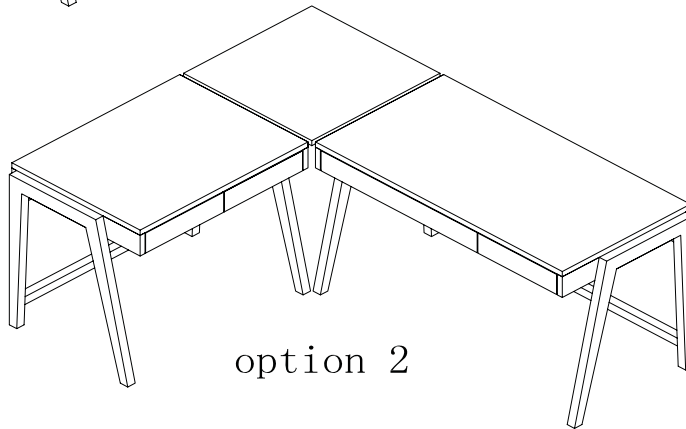


4. Align large desk and small desk like the drawing shows. Attach a bracket to each desk using bolt (G), spring washer (F), and flat washer (G) tighten with allen key. Attach wedge to brackets using bolt (G) spring washer (F) and flat washer (G). Tighten with allen key.

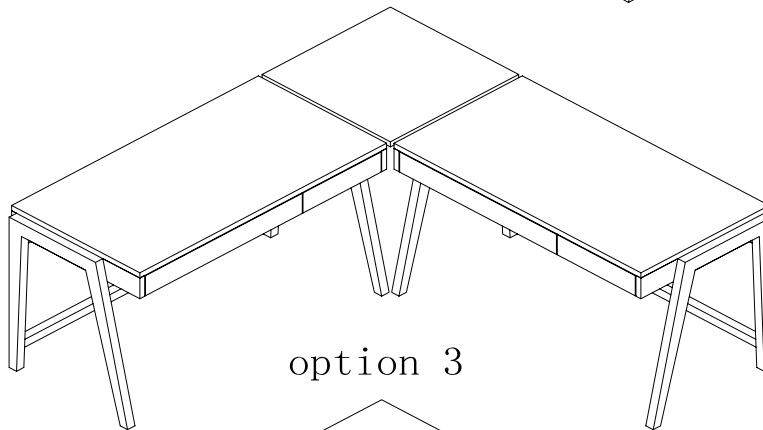




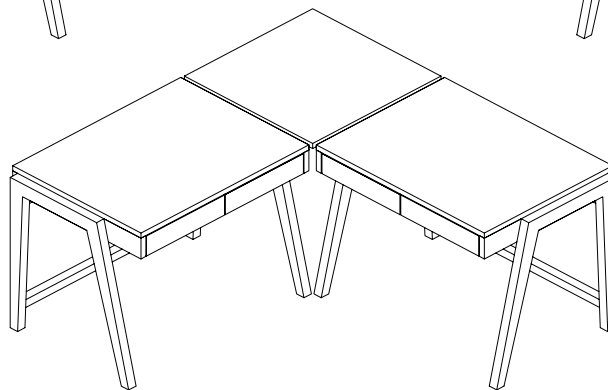
option 1



option 2



option 3



option 4

CARE INSTRUCTIONS

Hardware may loosen overtime. Periodically check that all connections are tight.

Wipe with a soft, dry cloth. To protect finish, avoid the use of chemicals and household cleaners.