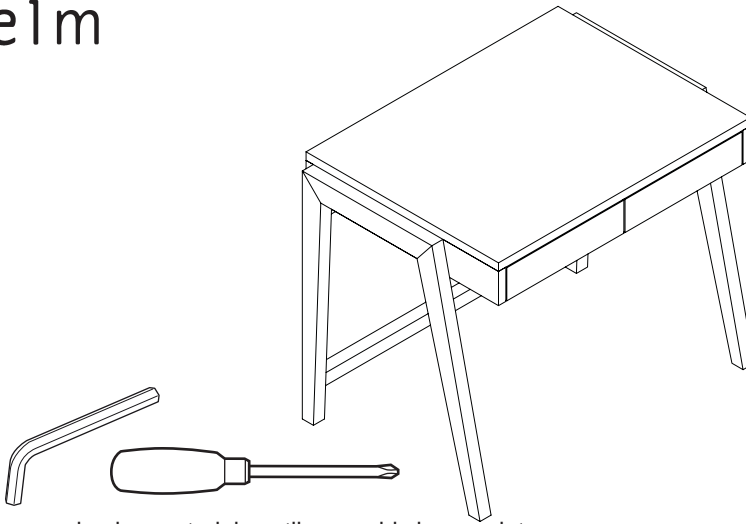


west elm

bond small desk

assembly instructions



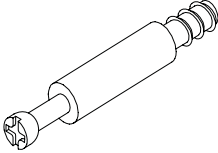
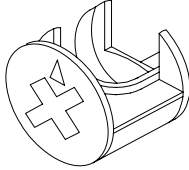
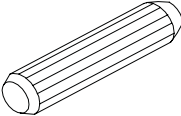
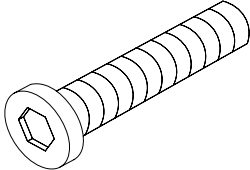
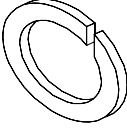
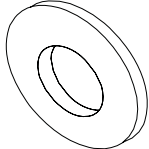
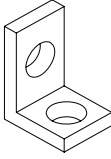
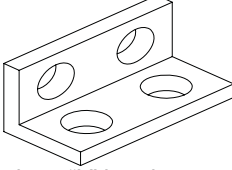
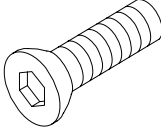
! Tools required:

! Do not throw away packaging materials until assembly is complete.

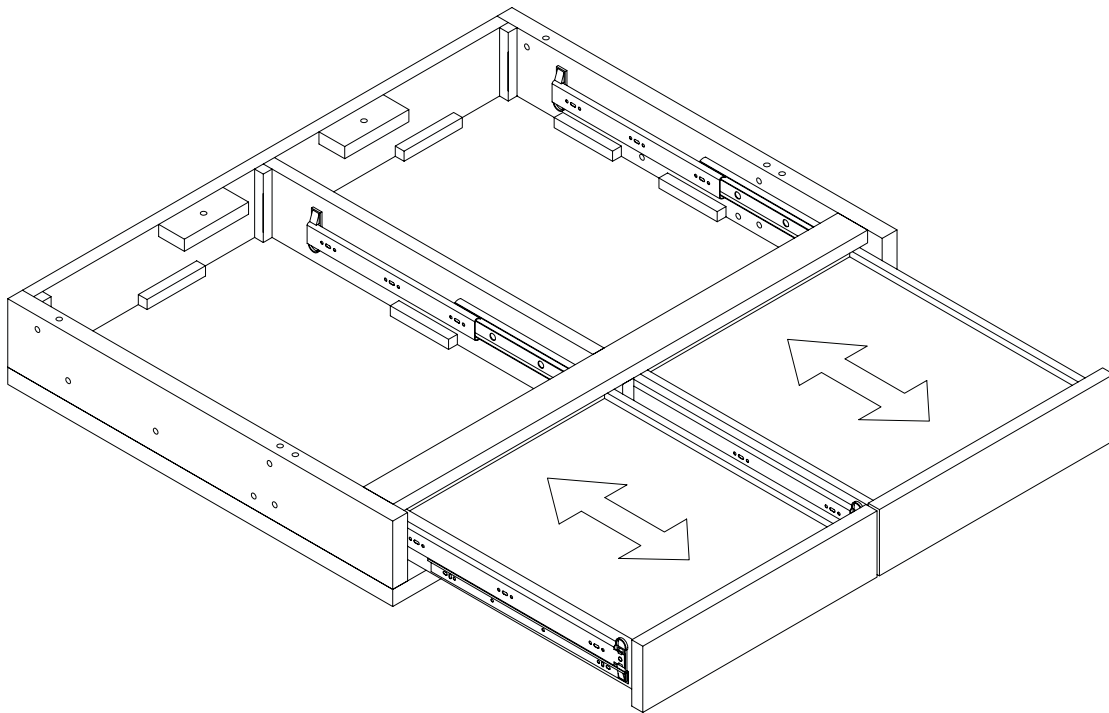
! Assemble this item on a soft surface, such as cardboard or carpet, to protect finish.

! Proper assembly of this item requires 2 people.

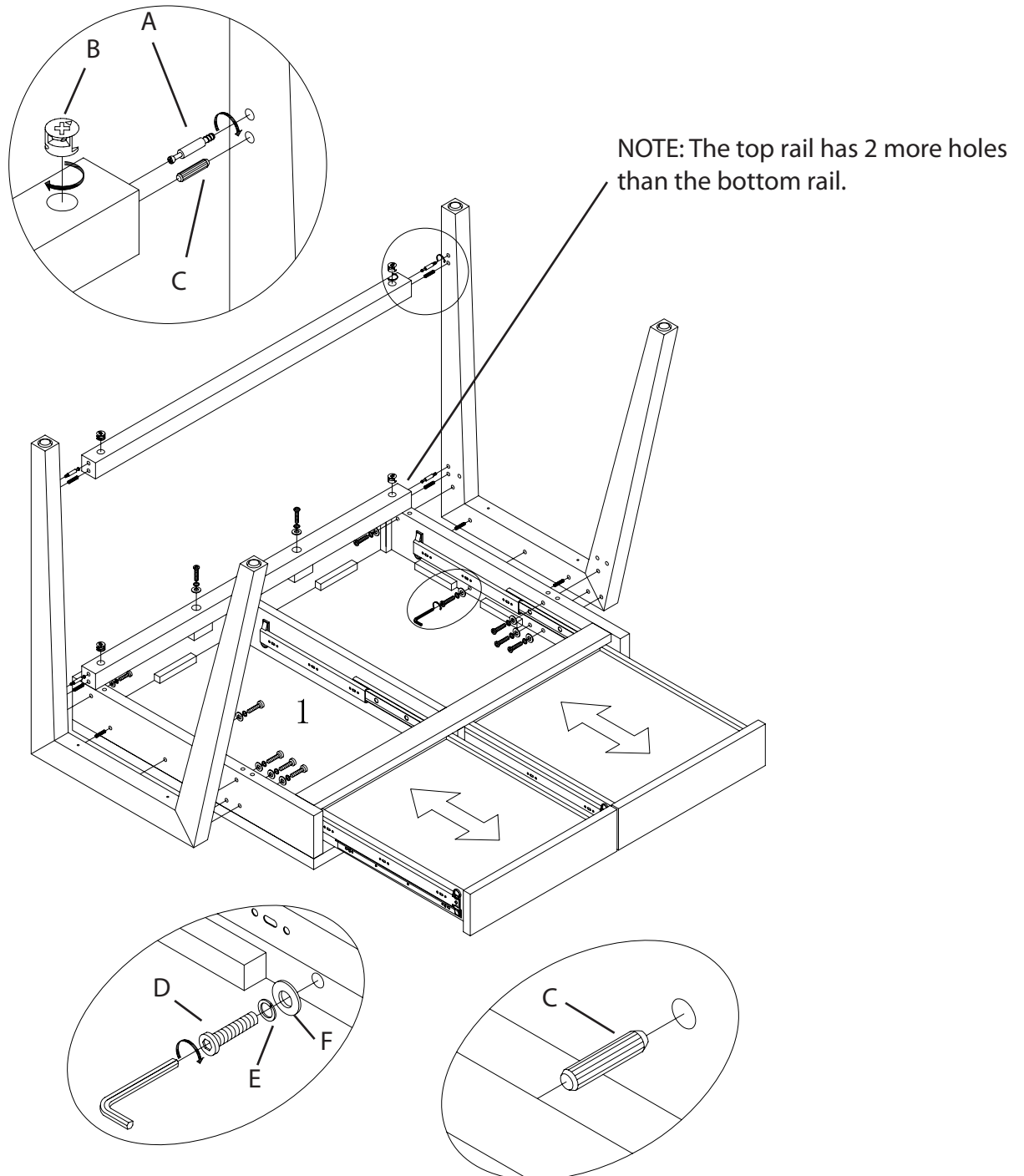
Hardware

<p>A</p>  <p>cam bolt 4x</p>	<p>B</p>  <p>cam lock 4x</p>
<p>C</p>  <p>wood dowel 8x</p>	<p>D</p>  <p>long bolt 12x</p>
<p>E</p>  <p>spring washer 12x</p>	<p>F</p>  <p>flat washer 12x</p>
<p>G</p>  <p>short "L" bracket 2x</p>	<p>H</p>  <p>long "L" bracket 2x</p>
<p>I</p>  <p>short bolt 12x</p>	

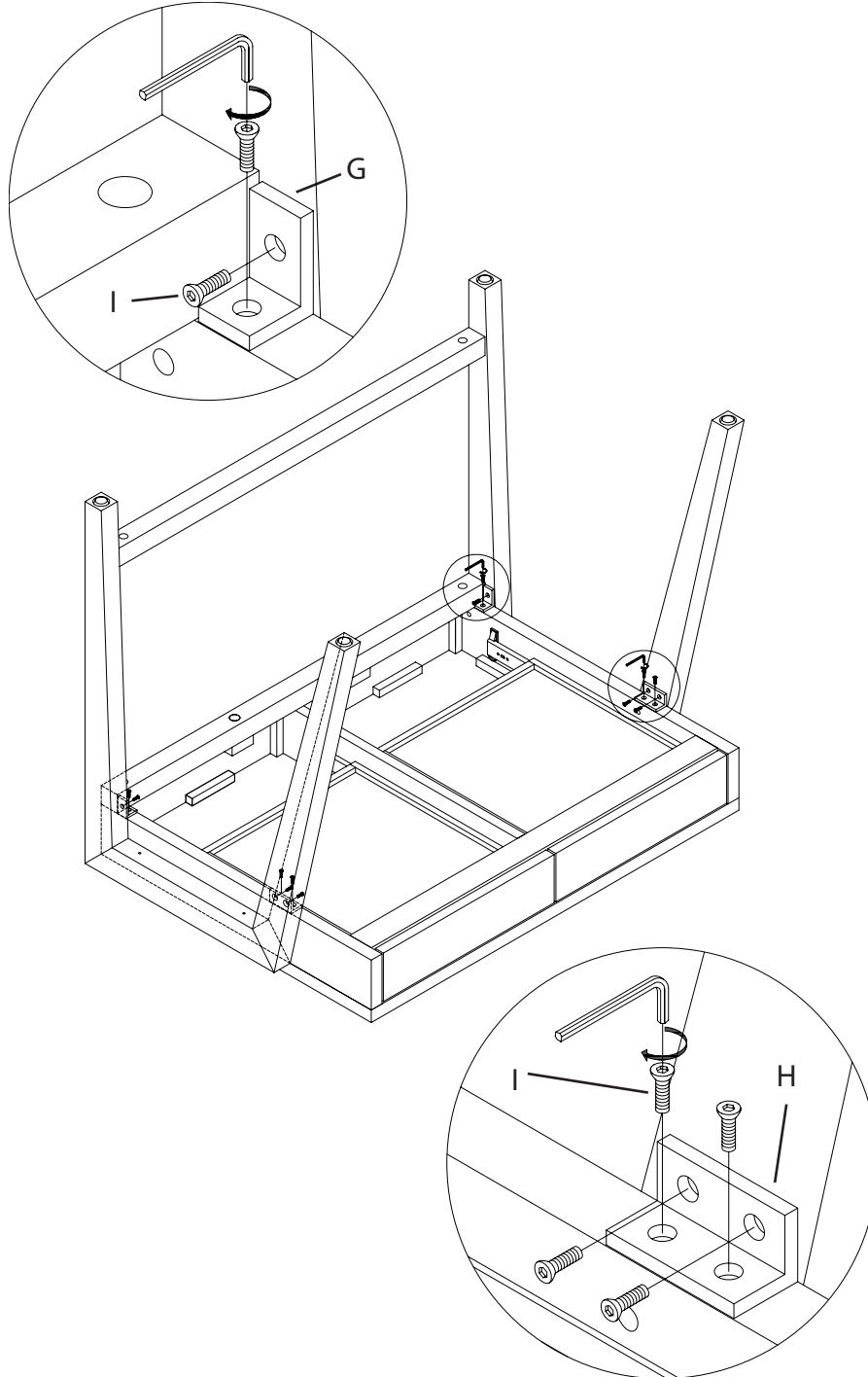
1. Flip the desk top over onto a clean smooth surface. Pull the drawers out until they stop.



2. Insert cam bolts (A) and wood dowels (C) into leg assemblies as shown. Insert cam locks into rails as shown in the drawing, making sure to line up the indicator mark points toward the end of the rail. Next align the leg assemblies to the side of the side of the desk and attach using long bolt (D), spring washer (E), and flat washer (F). Tighten with allen key.



3. Place the short "L" brackets and long "L" brackets into the locations shown in the drawing. Insert short bolt (I) into each hole and tighten with supplied allen key. be sure not to overtighten. With the help of another person flip the desk upright. Asjustable levelers are installed in the legs to accomodate uneven flooring. To adjust these levelers simply turn then counterclockwise to raise the leg.



CARE INSTRUCTIONS

Hardware may loosen overtime. Periodically check that all connections are tight.

Wipe with a soft, dry cloth. To protect finish, avoid the use of chemicals and household cleaners.