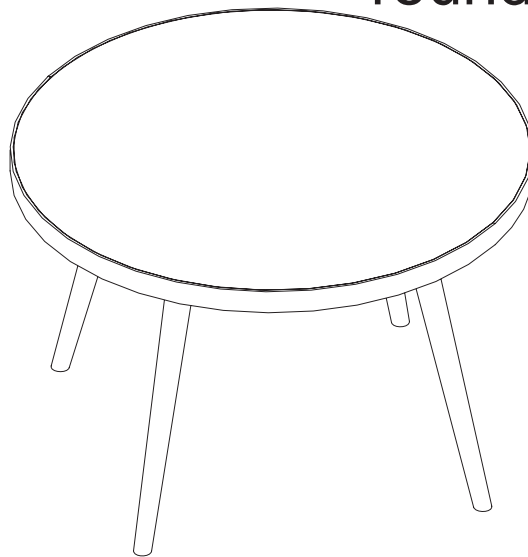


west elm

round leg dining table

assembly instructions



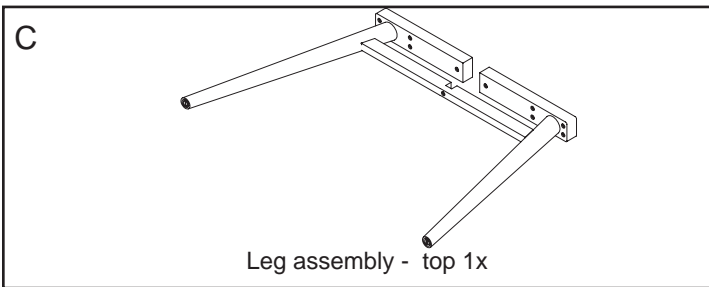
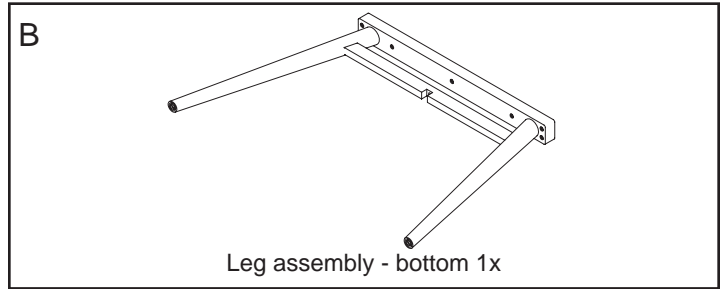
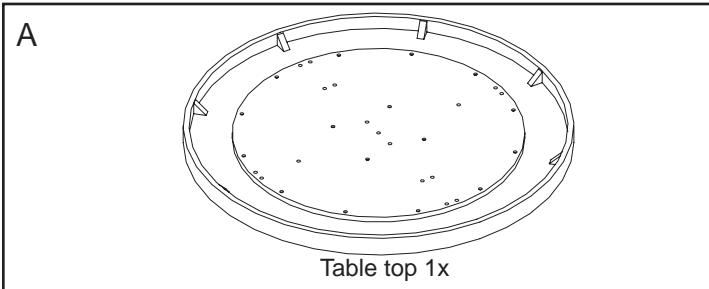
! Tools supplied:

! Do not throw away packaging materials until assembly is complete.

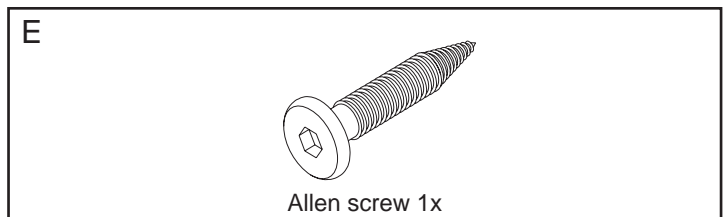
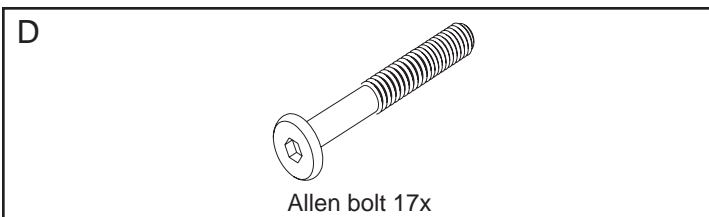
! Assemble this item on a soft surface, such as cardboard or carpet, to protect finish.

! Proper assembly of this item requires 2 people.

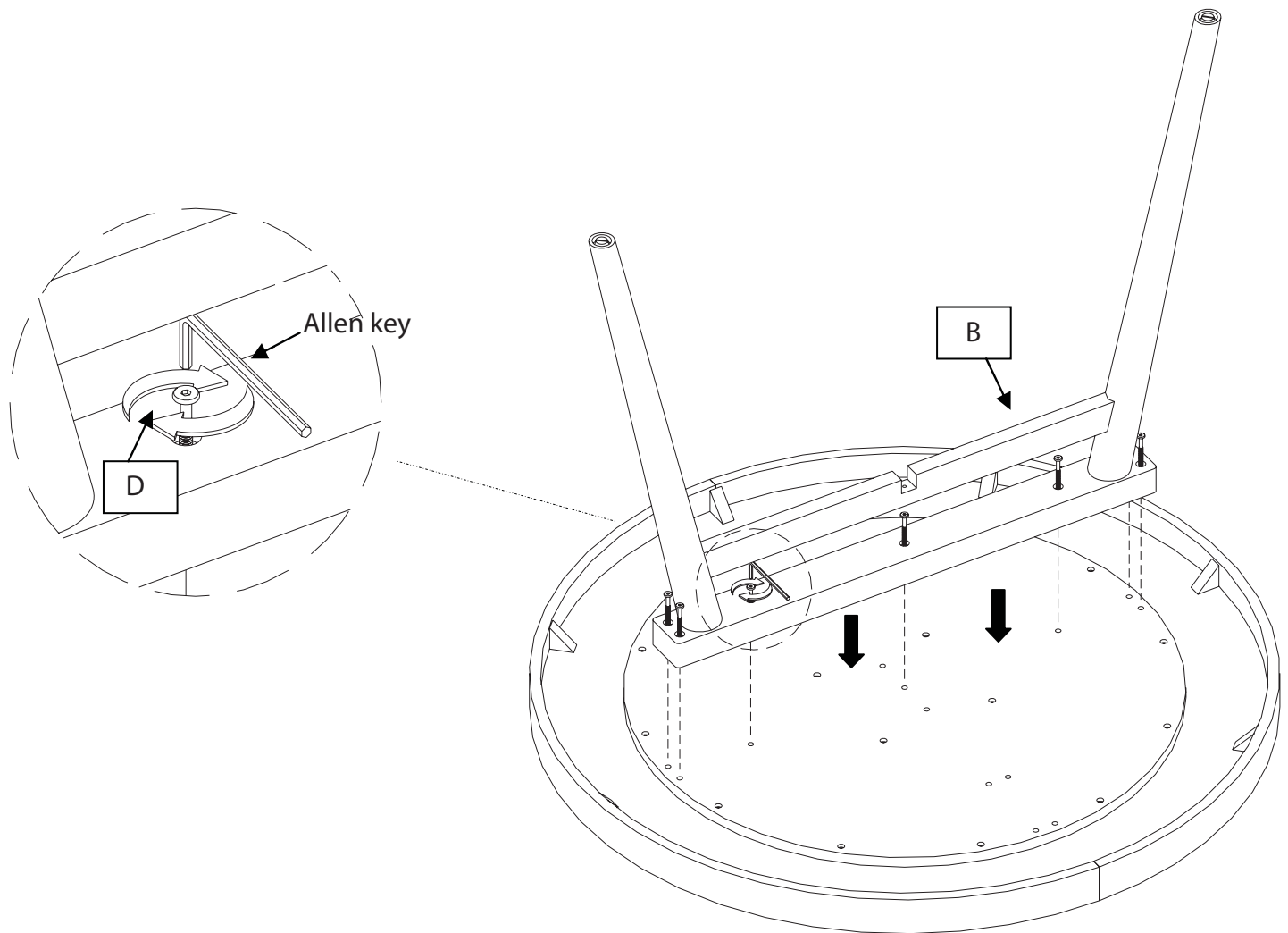
Parts



Hardware



1. Turn table top upside down and lay on clean smooth surface (such as carpeting). Place leg assembly – bottom (B) on the table top as shown in drawing and securely attach to table top using 7 allen bolts (D) with the supplied allen key.

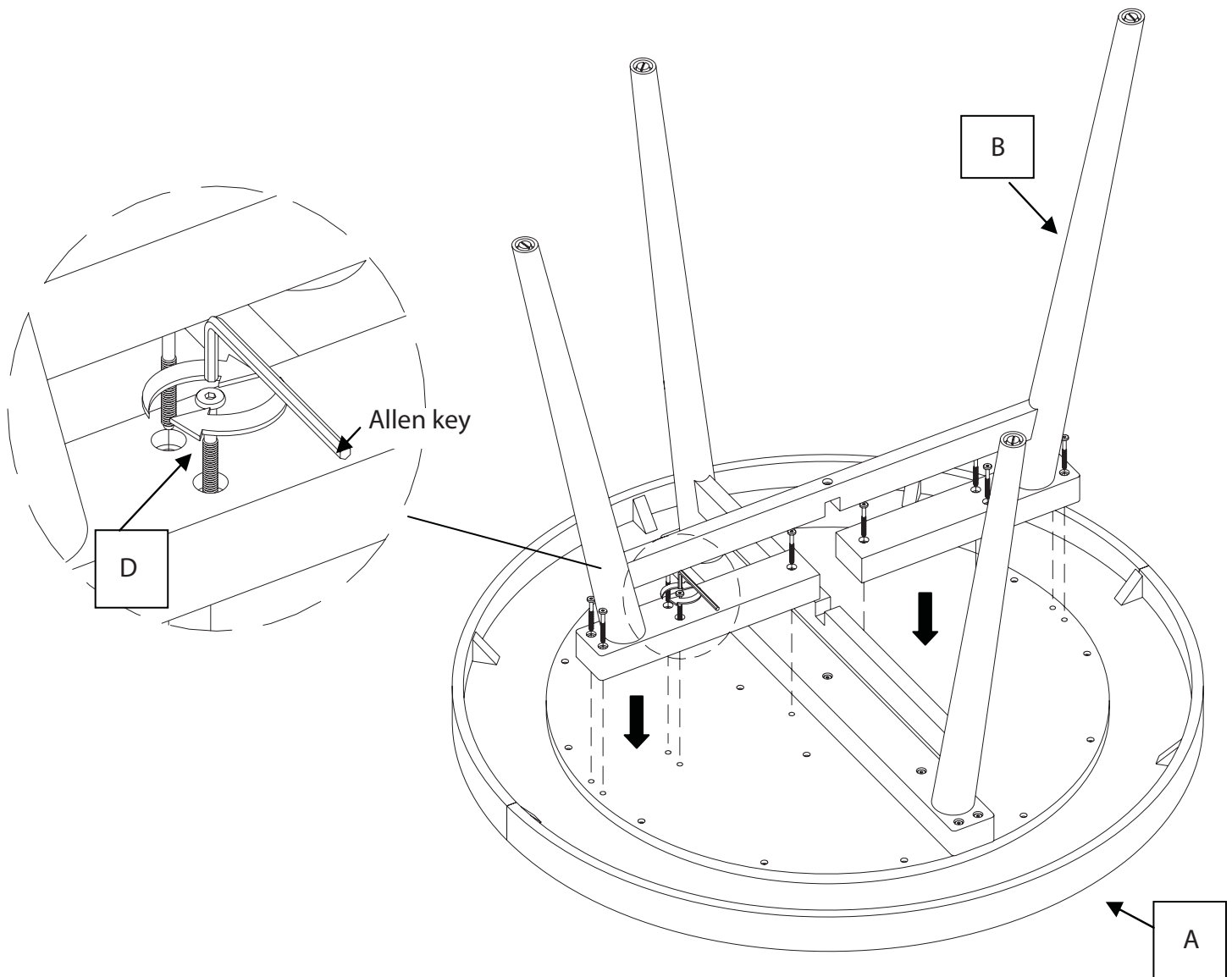


west elm

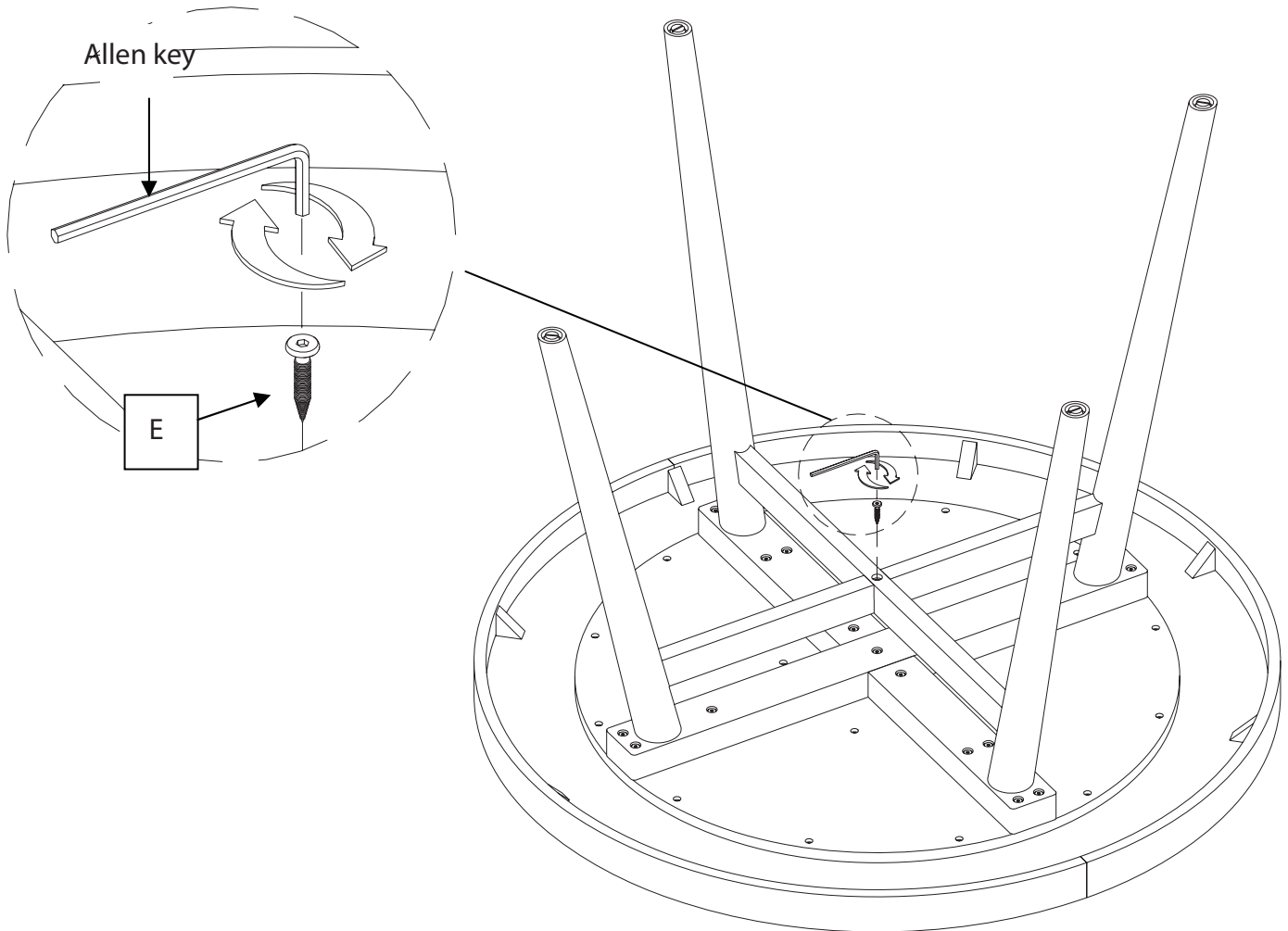
round leg dining table

assembly instructions

2. As per sketch, place leg assembly – top (C) across leg assembly – bottom (B) and line up with pre-drilled holes. Securely attach leg assembly - top (C) using 10 allen bolts (D) with the supplied allen key.



3. After securely applying all 17 allen bolts (D), please secure middle pre-drilled hole with one allen screw (E).



4. Flip table over carefully (This step requires 2 people)!

CARE INSTRUCTIONS

Hardware may loosen overtime. Periodically check that all connections are tight.

Wipe with a soft, dry cloth. To protect finish, avoid the use of chemicals and household cleaners.