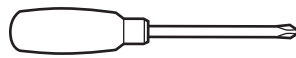
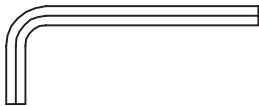
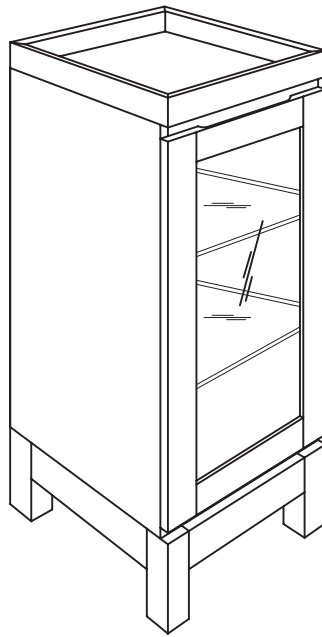


west elm

parsons door unit

assembly instructions




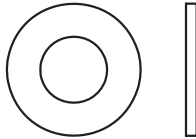


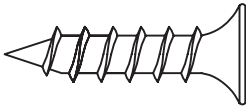
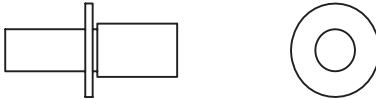

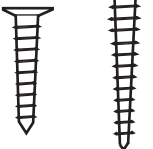
! Tools required:

! Do not throw away packaging materials until assembly is complete.

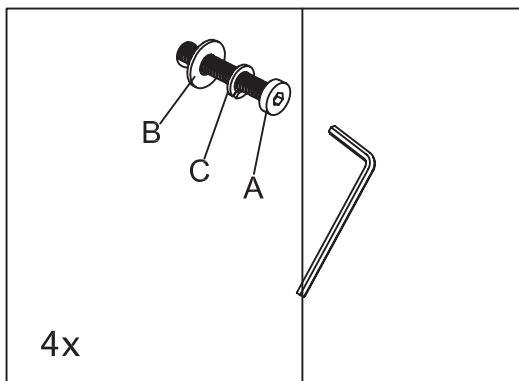
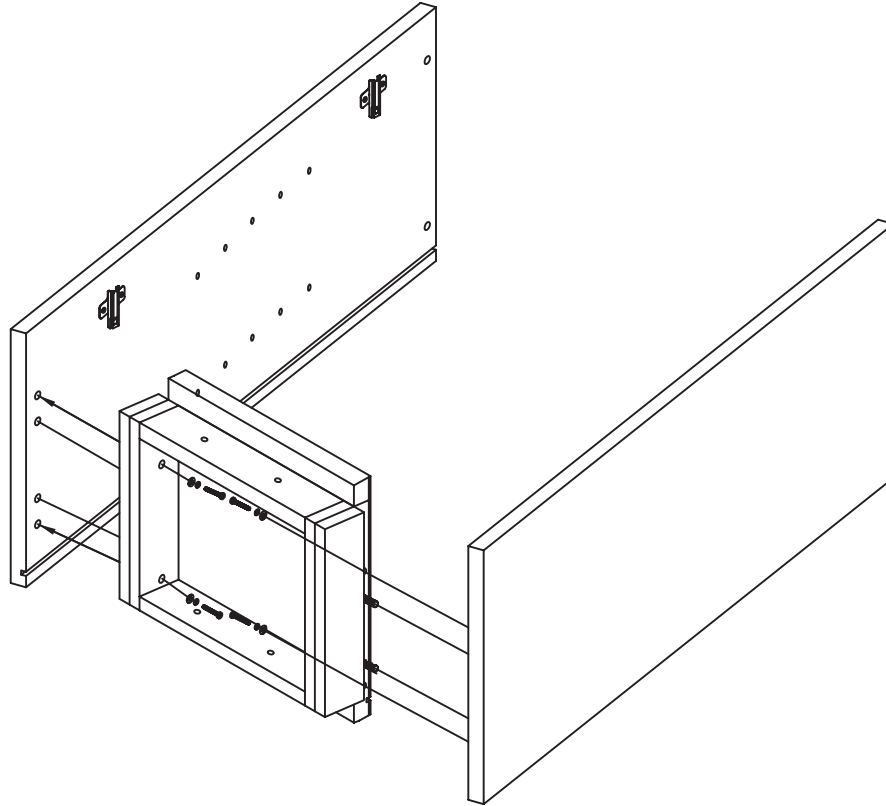
! Assemble this item on a soft surface, such as cardboard or carpet, to protect finish.

! Proper assembly of this item requires 2 people.

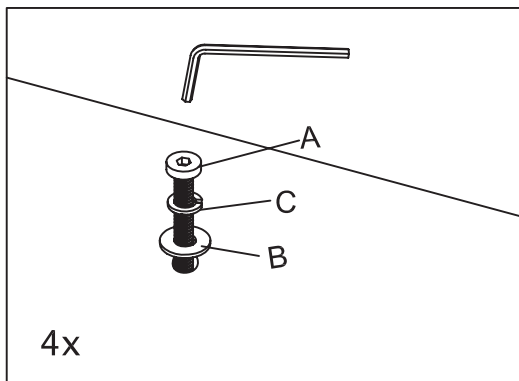
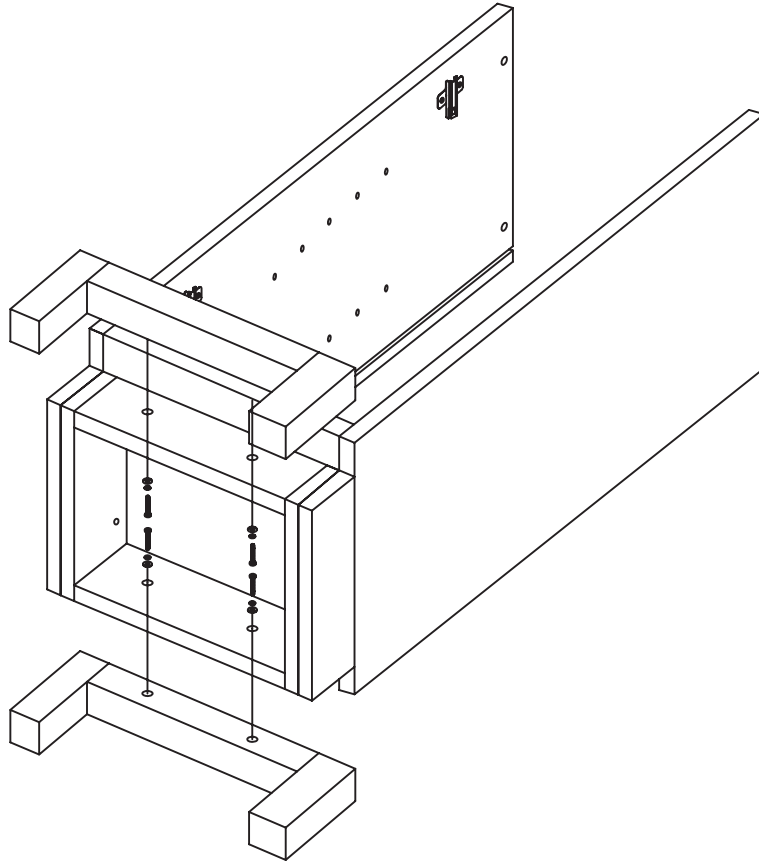
## Hardware

<p>A</p>  <p>bolts 6mm x 30mm 12x</p>	<p>B</p>  <p>flat washer 12x</p>
<p>C</p>  <p>lock washer 12x</p>	<p>D</p>  <p>plastic clasp 4x</p>
<p>E</p>  <p>screw 4x</p>	<p>F</p>  <p>shelf pin 8x</p>
<p>Anti tip kit 1x</p>  <p>Mounting Plate 2x</p> <p>Nylon Strap 1x</p>  <p>Small Screw 2x Large Screw 2x</p>	

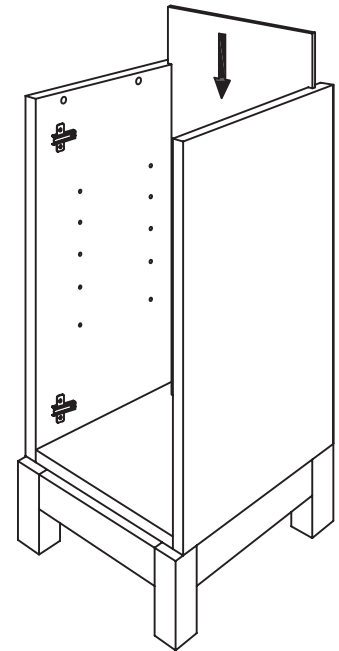
1. Align bottom with sides . Insert bolt (A), lock washer (C), and flat washer (B). Tighten with supplied hex key. Do not overtighten.



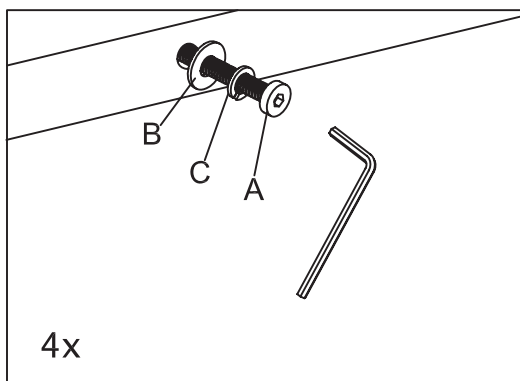
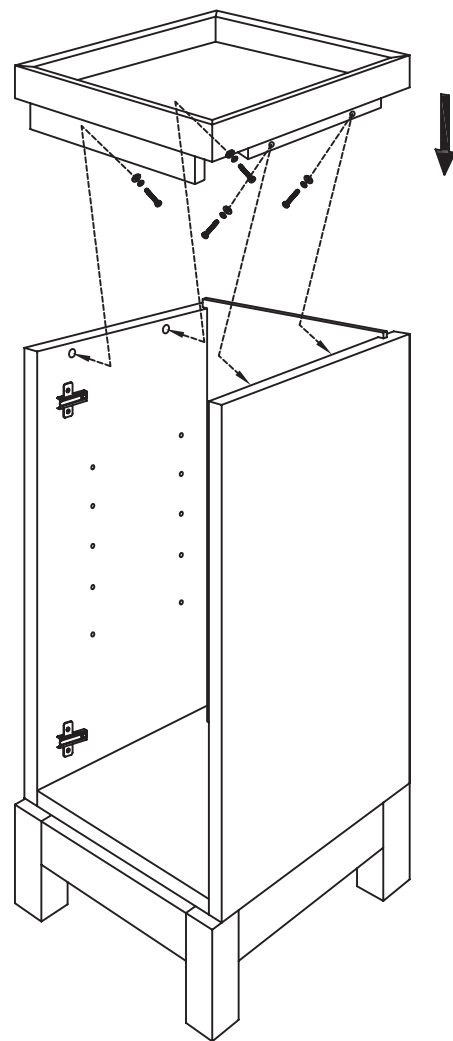
2. Align Legs with bottom. Insert bolt (A), lock washer (C), and flat washer (B). Tighten with supplied hex key. Do not overtighten.



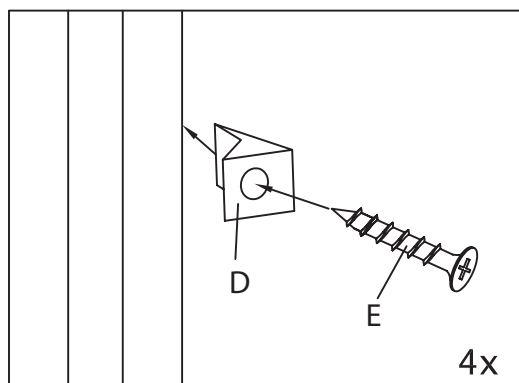
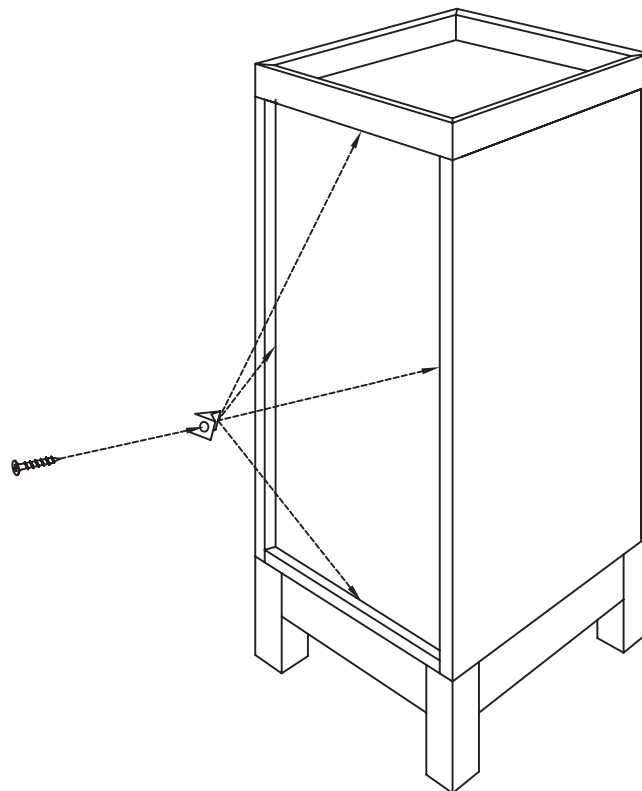
3. Stand unit upright. Slide back panel into groove in sides.



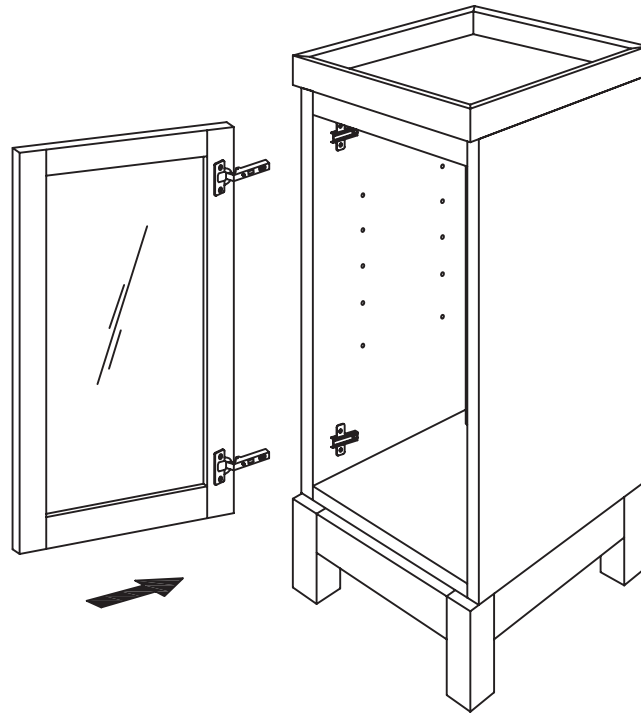
4. Align top with sides . Insert bolt (A), lock washer (C), and flat washer (B). Tighten with supplied hex key. Do not overtighten.



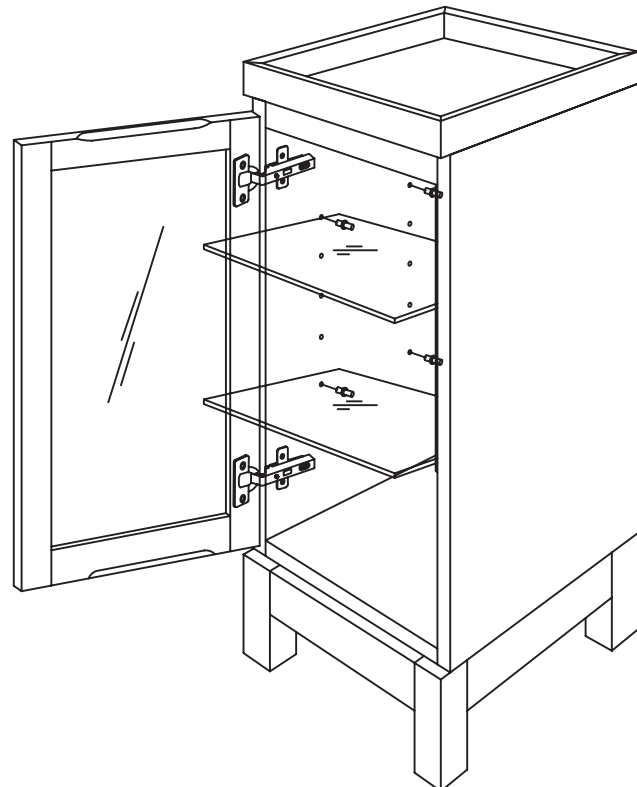
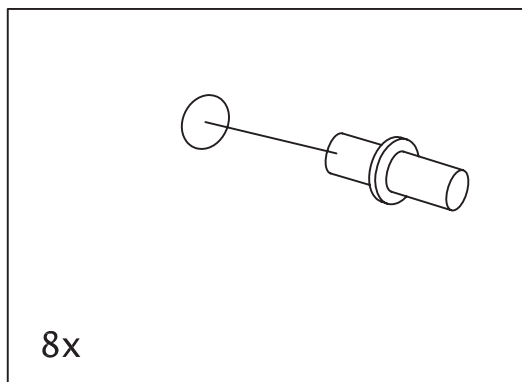
5. Press plastic clasps into grooves on back of unit like drawing shows. Insert screws into clasps. Tighten with screwdriver.



6. Align door with hinges on side . Slide door onto hinges. Making sure they snap into place.



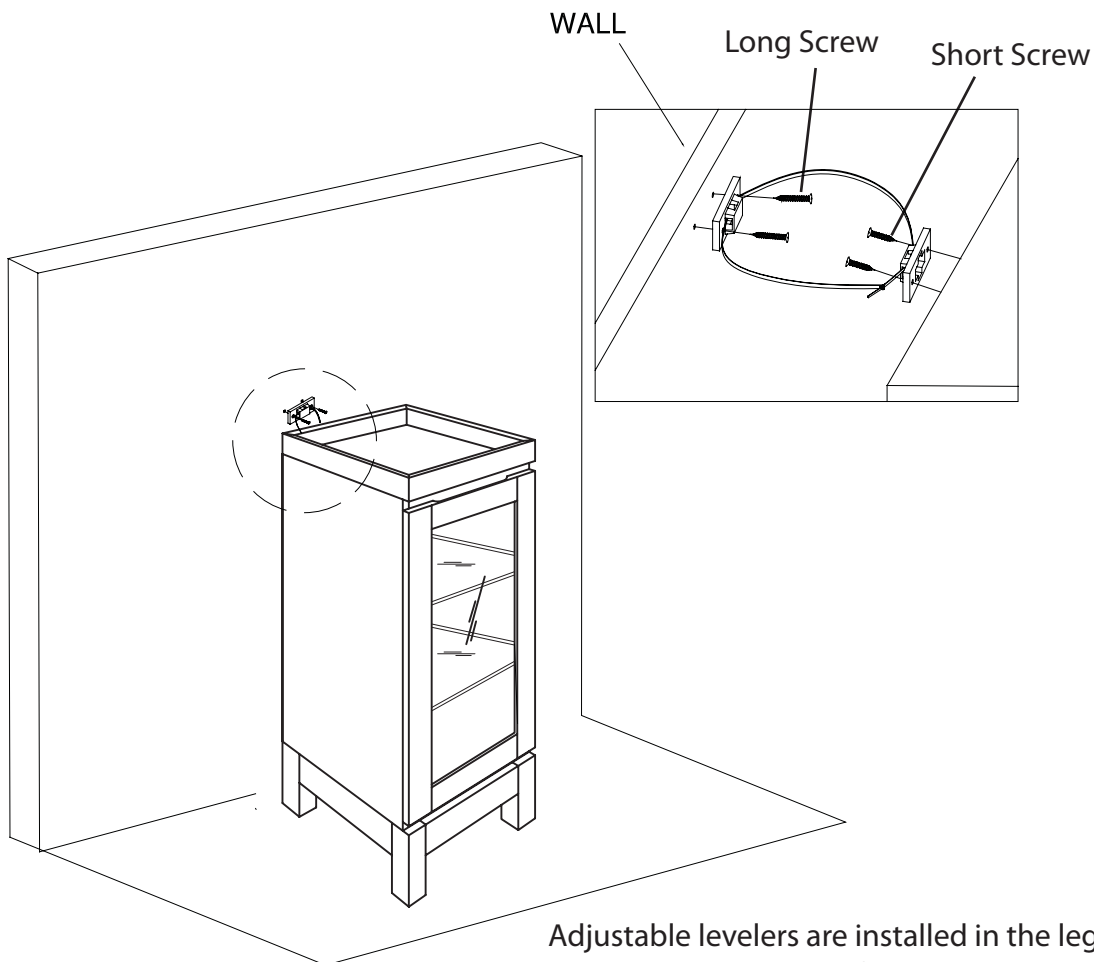
7. Insert shelf pins into sides at desired locations. Carefully slide shelves into unit. Make sure pins are firmly pressed into place.



NOTICE: To prevent injury and property damage from unexpected tipping of furniture, we highly recommend installation of the anti-tip kit included with this product.

Attaching unit to wall with anti-tip kits.

1. Determine where the unit is to be placed and mark location on the wall for the mounting bracket screw holes. They should be placed approximately 1" below the top on the back of the unit.
2. Attach the mounting bracket vertically to the wall by inserting the long screws provided through the holes in the bracket and tightening securely using screwdriver. Screws must penetrate wall studs for proper installation.
3. Next using the short screws attach the 2nd bracket to the back of the unit top.
4. Lace the nylon strap down through the brackets. Slide the thin end of the strap through the receiving end of the nylon strap. Pull to tighten tower snug against wall.



Adjustable levelers are installed in the legs to accommodate uneven flooring. To adjust these levelers, simply turn them counterclockwise to raise the leg.

#### CARE INSTRUCTIONS

Hardware may loosen overtime. Periodically check that all connections are tight.

Wipe with a soft, dry cloth. To protect finish, avoid the use of chemicals and household cleaners.