

TOOLS REQUIRED FOR MOUNTING:

Phillips Screwdriver / Level / Pencil / Tape Measure / Stud-Finder

PART INCLUDED: (1) Mirror with leather strap (1) Wooden peg**HARDWARE INCLUDED:**

(1) 2"L Screw (2) 1.25"L Screws (2) Drywall Anchors



The hardware included with this item is meant for drywall or stud mounting only. For other wall types, please consult your local hardware store for assistance in selecting the appropriate hardware.

Warning: This mirror includes one pair of D-rings on the back for supporting it against a wall. Do not hang the mirror at a single attachment point. The wooden peg will not carry the mirror's weight.

MOUNTING INSTRUCTIONS:

- With the help of another person, hold the mirror against a wall at a desired location. Keep in mind where the two D-rings are located on the back of the mirror (they should be at about the 10 o'clock and 2 o'clock positions). Use this information and a pencil to mark the wall to indicate the approximate location of each of the two D-rings. Carefully set the mirror aside.
- Use the pencil and a level to draw a level line that connects the two marks made in Step #1. The mounting fasteners will be mounted at two insertion points along this line. Use the tape measure to measure the distance between the two D-rings on mirror. Use the distance to mark the location of two insertion points (A & B – See Figure 1) along the line. These two insertion points are the locations for the mounting hardware.
- Use a stud-finder to determine if any of the two marks of Step #2 happens to align with a wall stud. If either does, do not use the anchor at this location as the provided anchor cannot penetrate wood stud. In this instance, use a screwdriver to secure a 1.25"L screw directly into the wall at that mark. Rotate the screw clockwise until its head resides about 3/8 inch from the wall.
- For marks that do not align with a stud, first install the anchor into the wall (see Figure 1). To do this, use a Phillips screwdriver to engage an anchor and then position the anchor tip against the wall at one of the marks. The anchor is designed to drill its own hole into the drywall as you rotate it. Continue rotating the anchor until its large flange is flush with the wall surface. Do not over-tighten.
- Insert a provided 1.25"L screw into each installed anchor. Use the screwdriver to rotate the screw clockwise until the screw is about 3/8 inch from the wall (see Figure 2).
- Again, with the help of another person, lift the mirror against the wall so that the two D-rings on the back align and engage with the protruding screws. Gently lower the mirror so the screws support the full weight of the mirror.
- Position the peg by stretching the strap over the mounted mirror as shown. Use the Phillips screwdriver to secure the 2"L screw through the hole of the wooden peg and into the wall. Rotate the screw until tight.

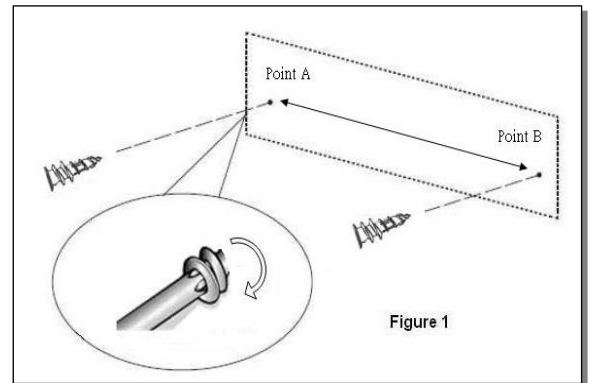


Figure 1

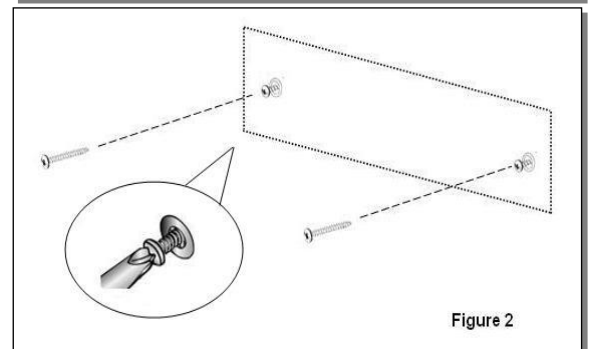
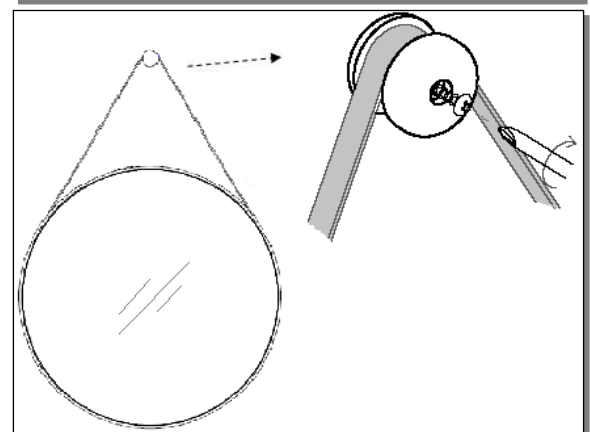


Figure 2

**CARE INSTRUCTIONS:**

- Dust with a soft, dry cloth. Do not use any abrasive or strong-chemical household cleaners.
- A household glass cleaner may be used for the mirror surfaces – spray the cleaner on a clean cloth first and then use the cloth to clean the glass. Do not spray the cleaner directly onto the glass or frame surfaces.