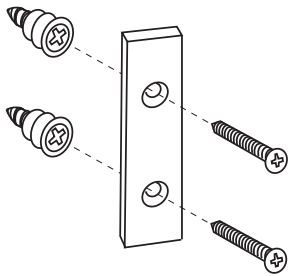


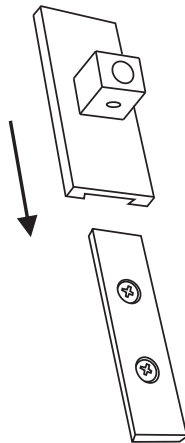
NOTE:

- Stud mounting is recommended. Use proper hardware for your wall type (such as anchors for drywall). When in doubt, consult your local hardware store.
- Wipe with a soft, dry cloth. To protect the finish, avoid the use of all chemicals and household cleaners.

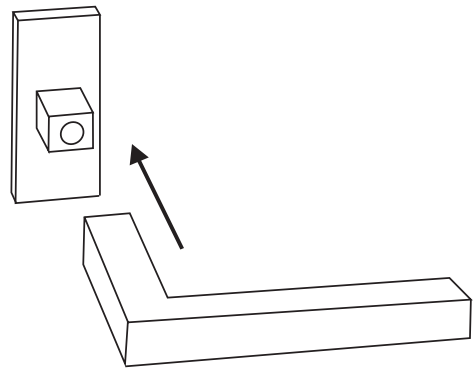
step 1



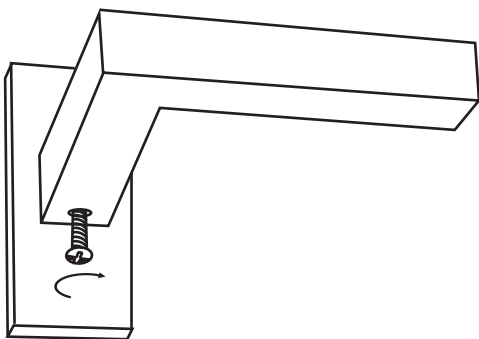
step 2



step 3



step 4.



step 5.

