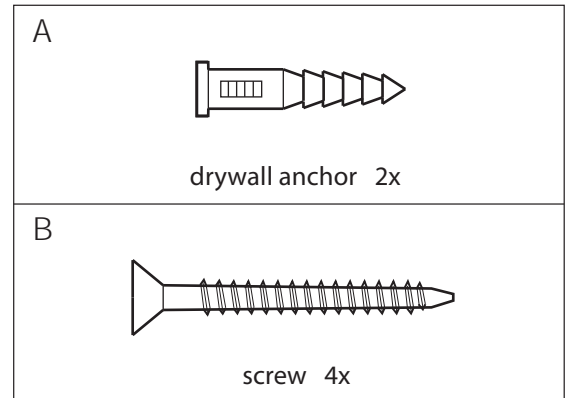


# west elm : bracket square s/2

## mounting instructions

### NOTE:

- Stud mounting is required. Use proper hardware for your wall type. When in doubt, consult your local hardware store. For your safety, installation by two people is recommended.
- MOUNTING LOAD CAPACITY IS 75 LBS.
- Wipe with a soft, dry cloth. To protect the finish, avoid the use of all chemicals and household cleaners.



1. Use a stud finder to locate the studs in your wall and mark these locations in the desired mounting area of the wall. Use a carpenter's level to insure the shelf will be level. Hold the brackets at desired locations and mark through the holes with a pencil onto the wall. Be sure that one screw for each bracket will go into a stud. The other screw for each bracket will be used with the drywall anchor.

2. For drywall mounting, drill a 3/16" hole in the wall at the pencil marks that are not in line with a stud. Press the plastic anchors (A) into the holes and gently tap with a hammer until the flange of the anchor is against the wall. Insert one screw (B) per bracket through the bracket holes into the anchors.

3. Insert one screw (B) per bracket through the bracket holes directly into studs.

4. Place wood shelf on brackets.

