

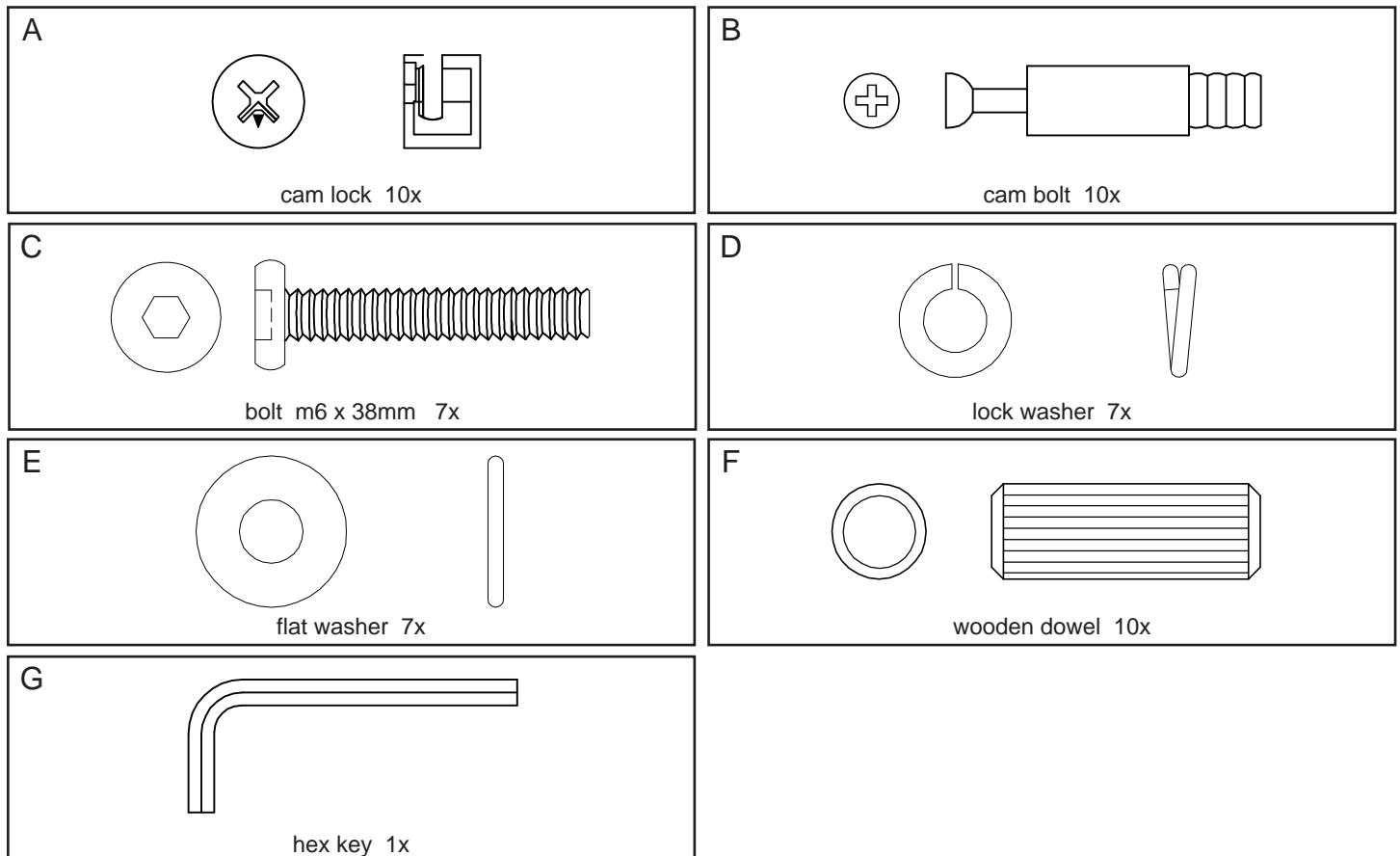
! Tools required: 

! Do not throw away packaging materials until assembly is complete.

! Assemble this item on a soft surface, such as cardboard or carpet, to protect finish.

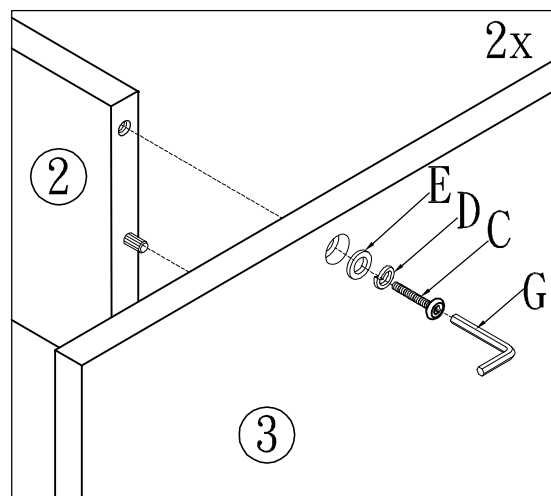
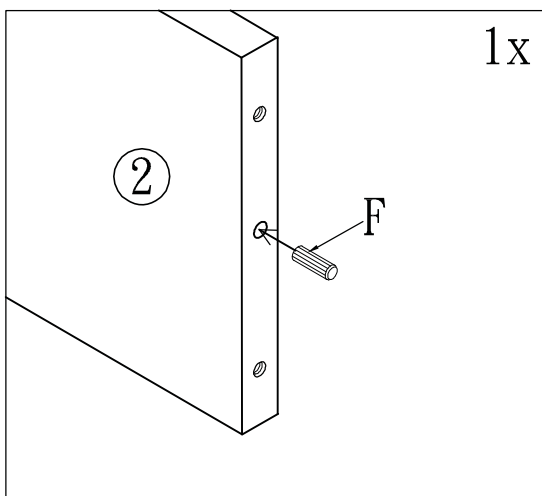
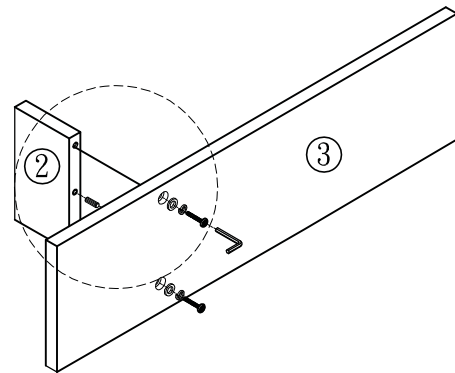
! Proper assembly of this item requires 2 people.

Hardware

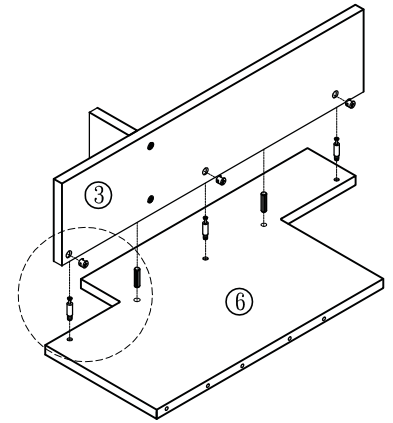
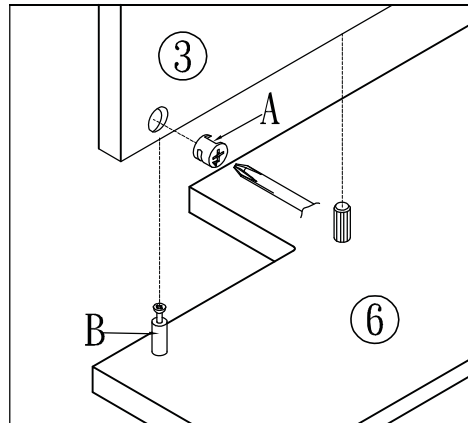
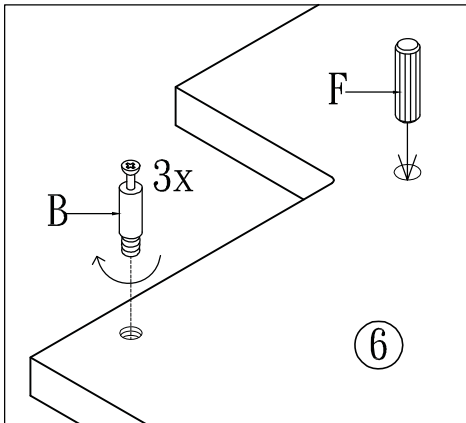


NO.	PARTS	QTY.	NO.	PARTS	QTY.
①		1	④		1
②		1	⑤		1
③		1	⑥		1

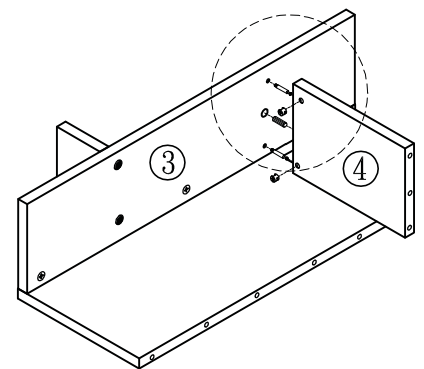
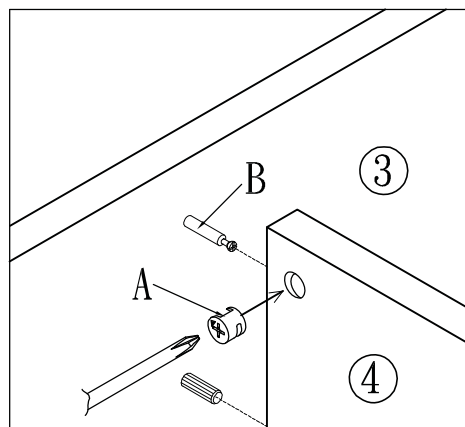
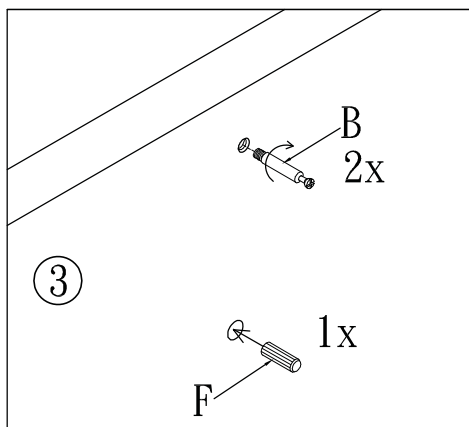
1. Insert dowel (F) into the center hole in the bottom of part #2. Align dowel with the hole in part #3. Press together. insert bolt (C), lock washer (D), and flat washer (E) through part #3 into part #2. Tighten with supplied hex key (G).



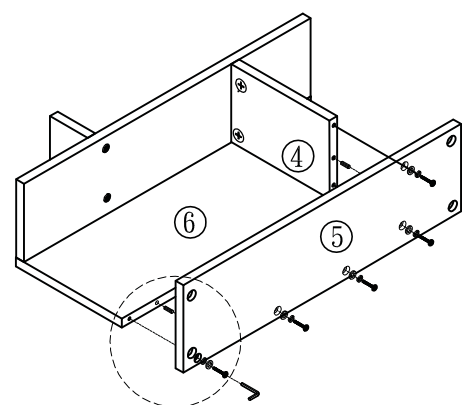
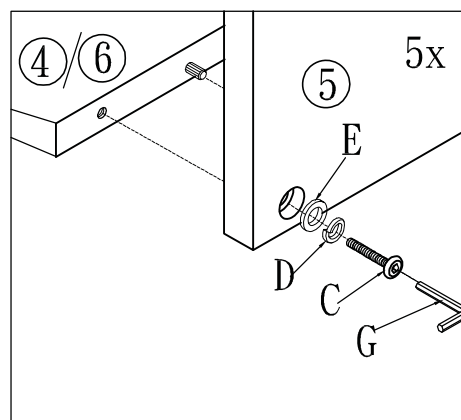
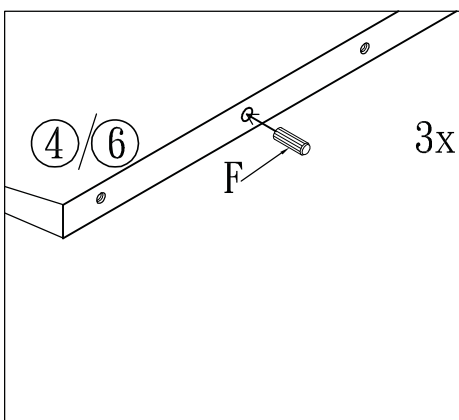
2. Lay part #6 on a clean smooth surface. Insert dowels (F) into holes as shown in the drawing. Screw cam bolts (B) into the holes shown in the drawing. Insert cam locks (A) into part #3 as shown. Press assembled parts #2 and #3 from step 1 onto part #6. Turn Cam locks 1/2 turn with phillips head screwdriver to tighten.



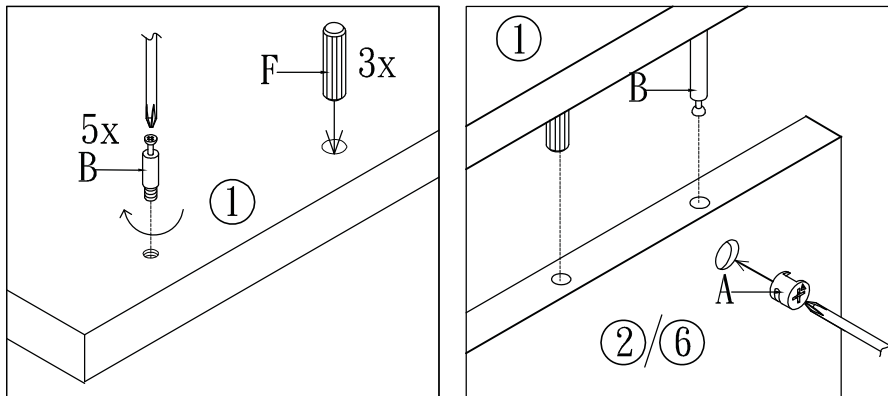
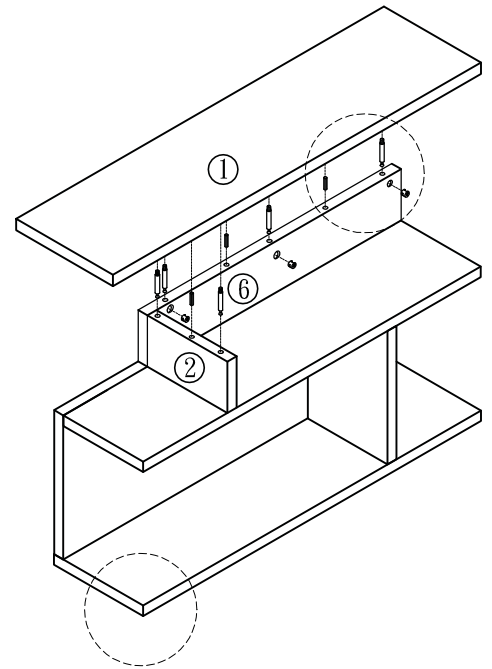
3. Insert dowel (F) into bottom of part #3. Screw cam bolt (B) into the bottom of part #3. Insert cam lock (A) into the side of part #4. Press part #4 onto part #3 as the drawing shows. Turn cam lock 1/2 turn with phillips head screwdriver to tighten.



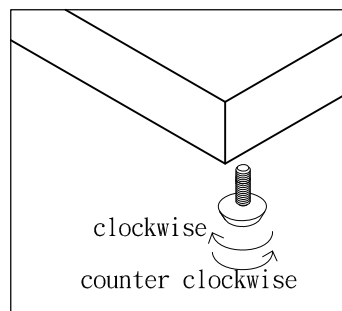
4. Insert dowels (F) into the bottom of part #4 and #6 like the drawing shows. Align part #5 with the dowels. Insert bolt (C), lock washer (D), and flat washer (E) thru part #5 into parts #4 and #6. Tighten with supplied hex key.



5. Insert dowels (F) into parts #1 like the drawing shows. Screw in cam bolts (B) into parts #1 like the drawing shows. insert cam lock (A) into parts #2 and #6. Press part #1 onto assembled shelves. Turn cam lock 1/2 turn with phillipshead screwdriver to tighten.



6. if your bookshelf side table does not sit level on your floor you will need to adjust the levlers on each corner to accomodate uneven surfaces. Clockwise tightens raises the leveler and counterclockwise lowers the leveler. You may need to adjust more than one leveler to get the shelves level.



CARE INSTRUCTIONS

Hardware may loosen overtime. Periodically check that all connections are tight.

Wipe with a soft, dry cloth. To protect finish, avoid the use of chemicals and household cleaners.