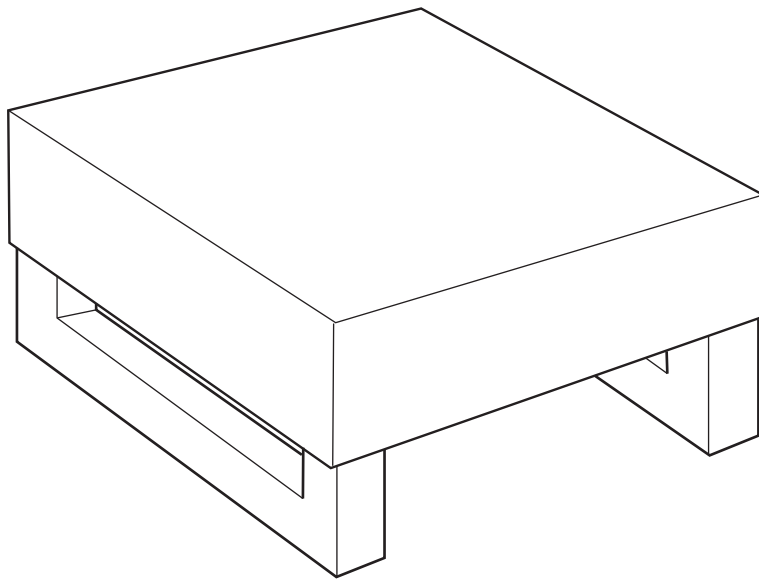


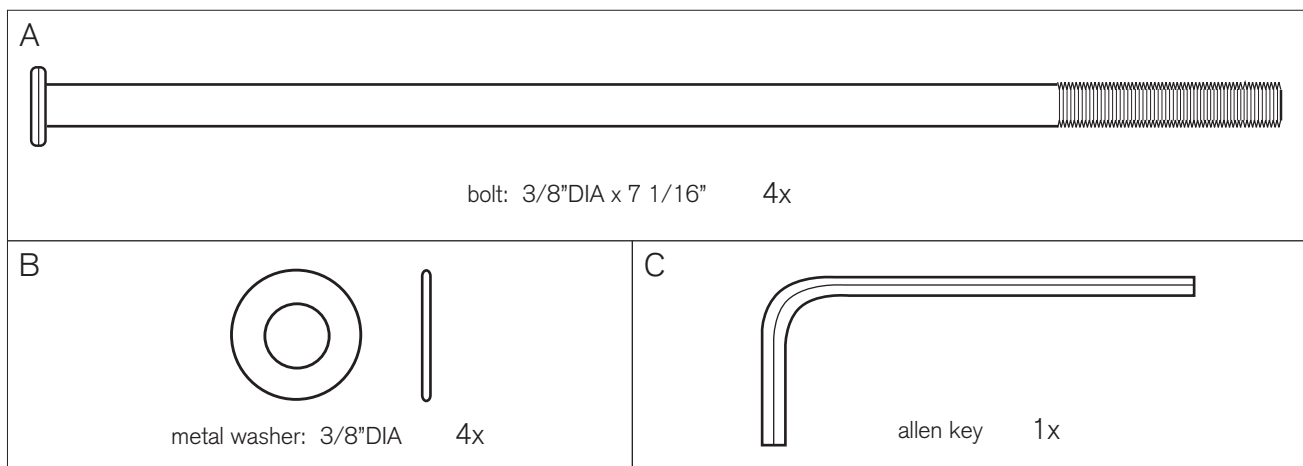
west elm: upholstered cube ottoman

assembly instructions



! Do not throw away packaging materials until assembly is complete.

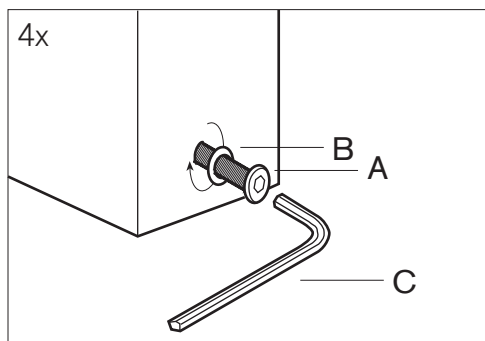
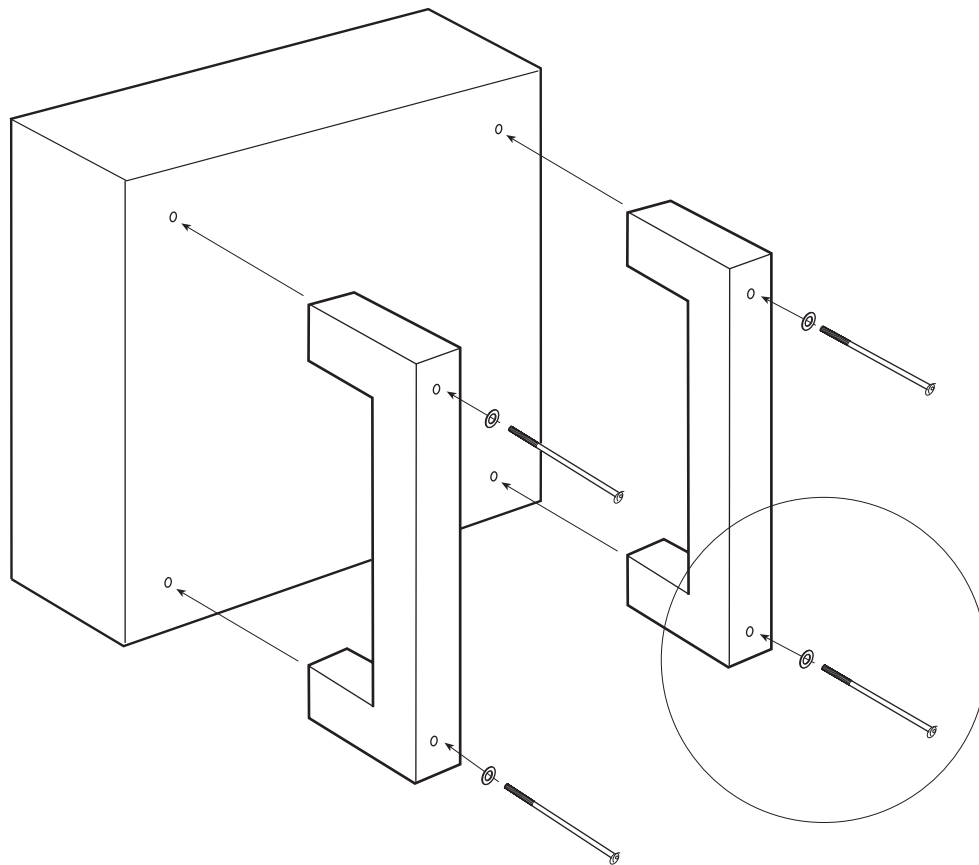
! Assemble this item on a soft, clean surface, such as cardboard or carpet, to protect the finish.



west elm: upholstered cube ottoman

assembly instructions

1. Set the upholstered seat on its back as shown.
2. Align holes on legs with holes on bottom surface of the armchair frame. Attach legs to seat base with bolts (A) and washers (B). Tighten with allen key (C).



CARE INSTRUCTIONS.

Upholstered seat: Spot clean only. Vacuum or brush with a soft brush regularly, at least once a month. For spills, immediately dab with a towel dampened with club soda or distilled water. To clean, use a commercial dry foam upholstery cleaner. Test any product first on the fabric on the bottom of the seat.

Legs: Wipe with a soft, dry cloth. To protect the finish, avoid the use of all chemicals and household cleaners.