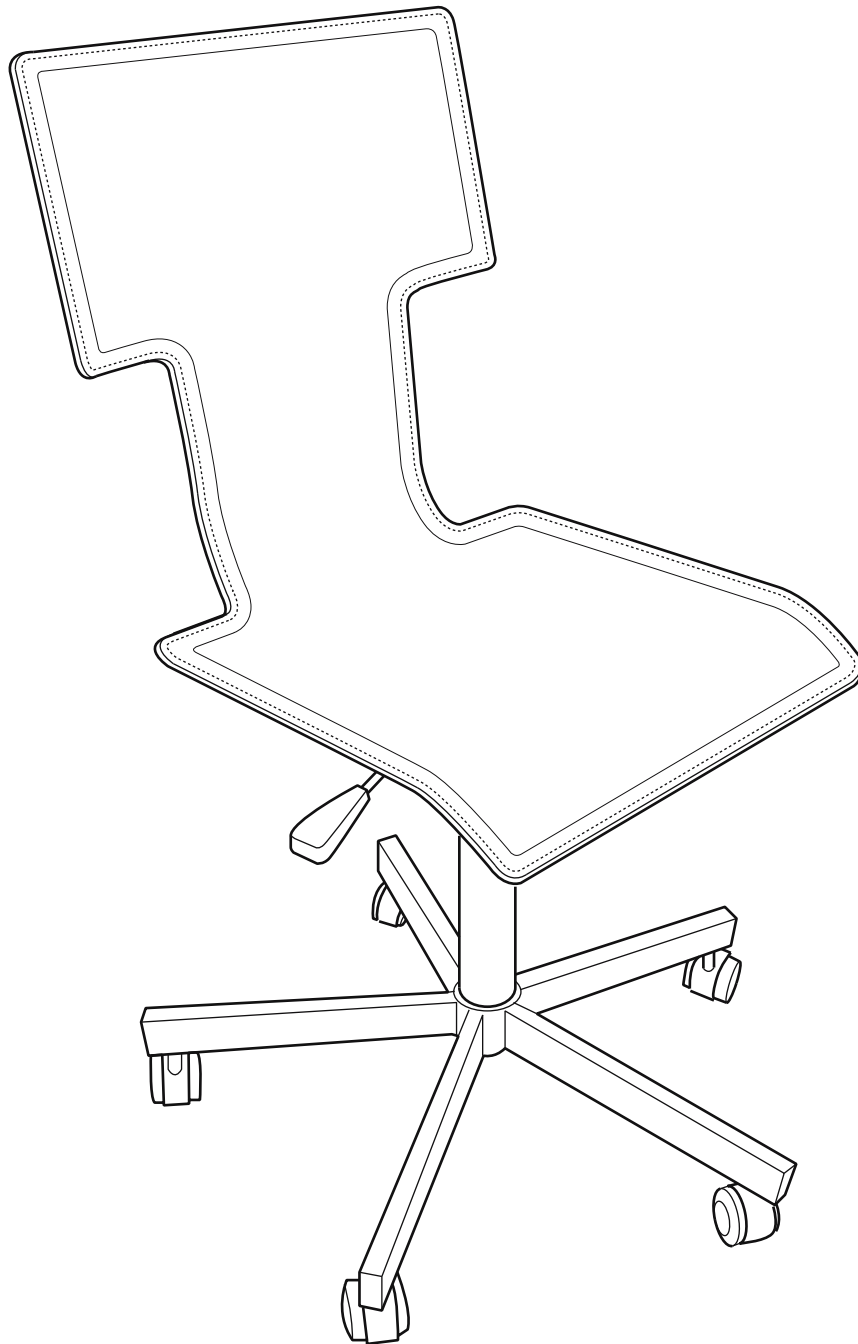


west elm : t desk chair

assembly instructions



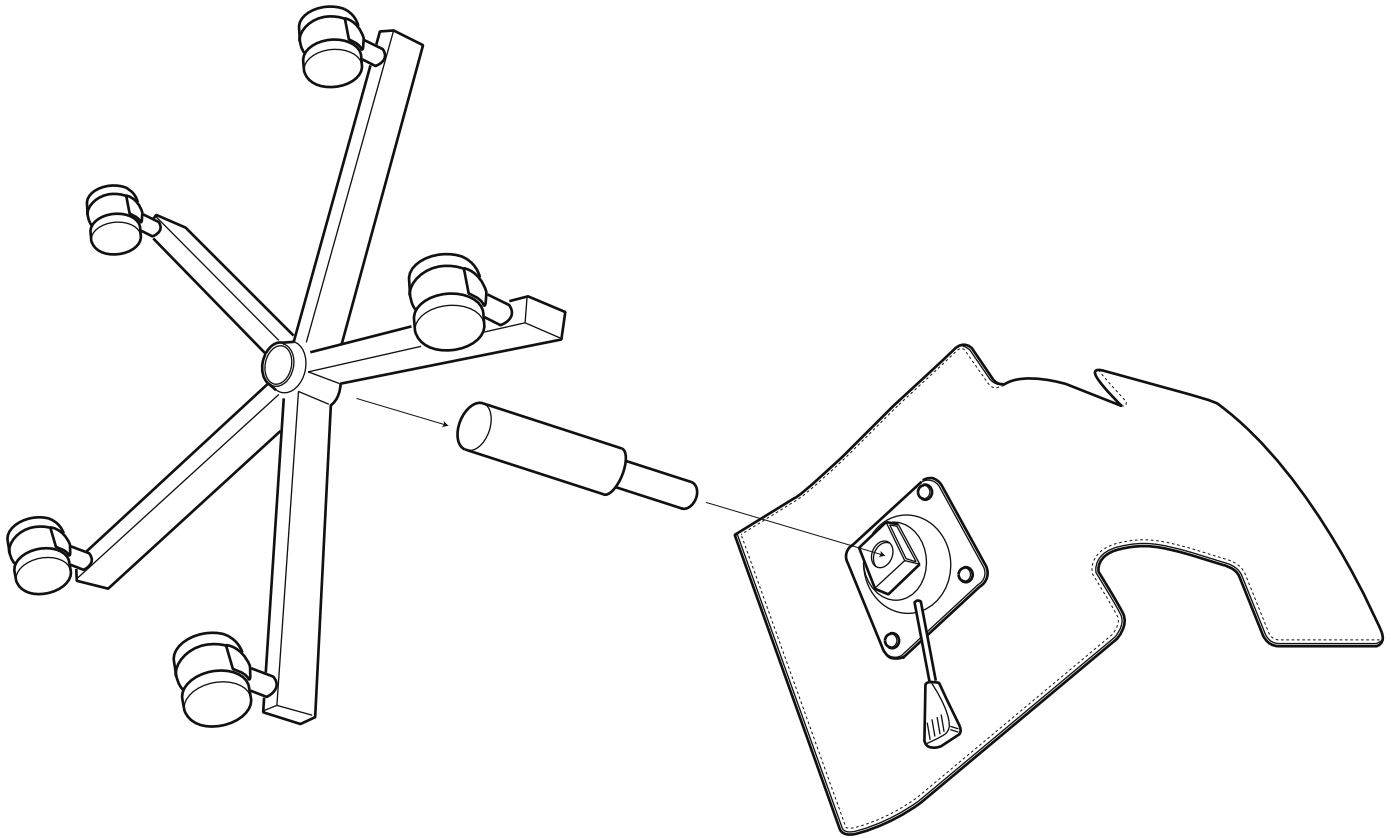
! Do not throw away packaging materials until assembly is complete.

! Assemble this item on a soft surface, such as cardboard or carpet, to protect the finish.

west elm : t desk chair

assembly instructions

1. Place seat shell face down on soft surface. Insert thin end of seat post into bottom of seat shell.
2. Next, place seat base over seat post.
3. Carefully turn seat upright, taking precautions not to let components disconnect.
4. To achieve final press-fit of components, push down on seat once the chair is upright.



CARE INSTRUCTION

Hardware may loosen over time.
Periodically check that all connections
are tight.

Wipe with a soft, dry cloth. To protect
finish, avoid the use of chemicals and
household cleaners.