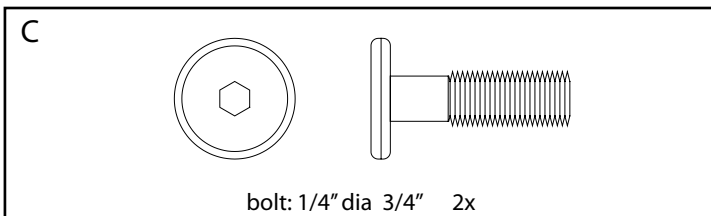
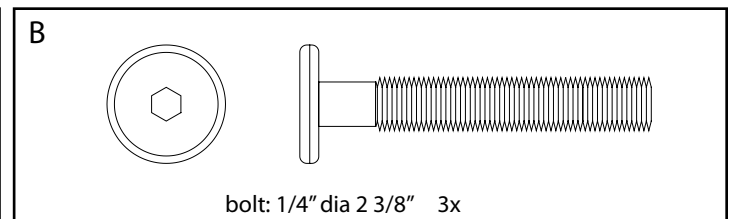
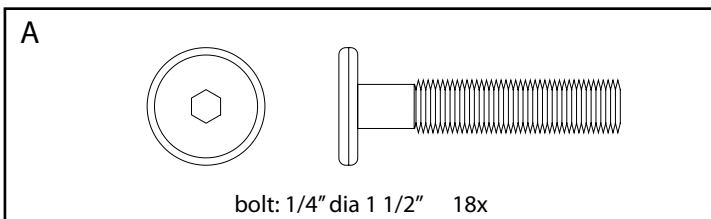
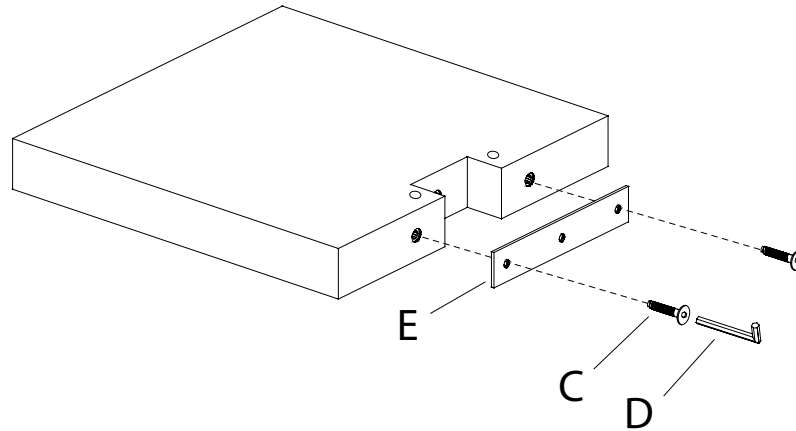


! Do not throw away packaging materials until assembly is complete.

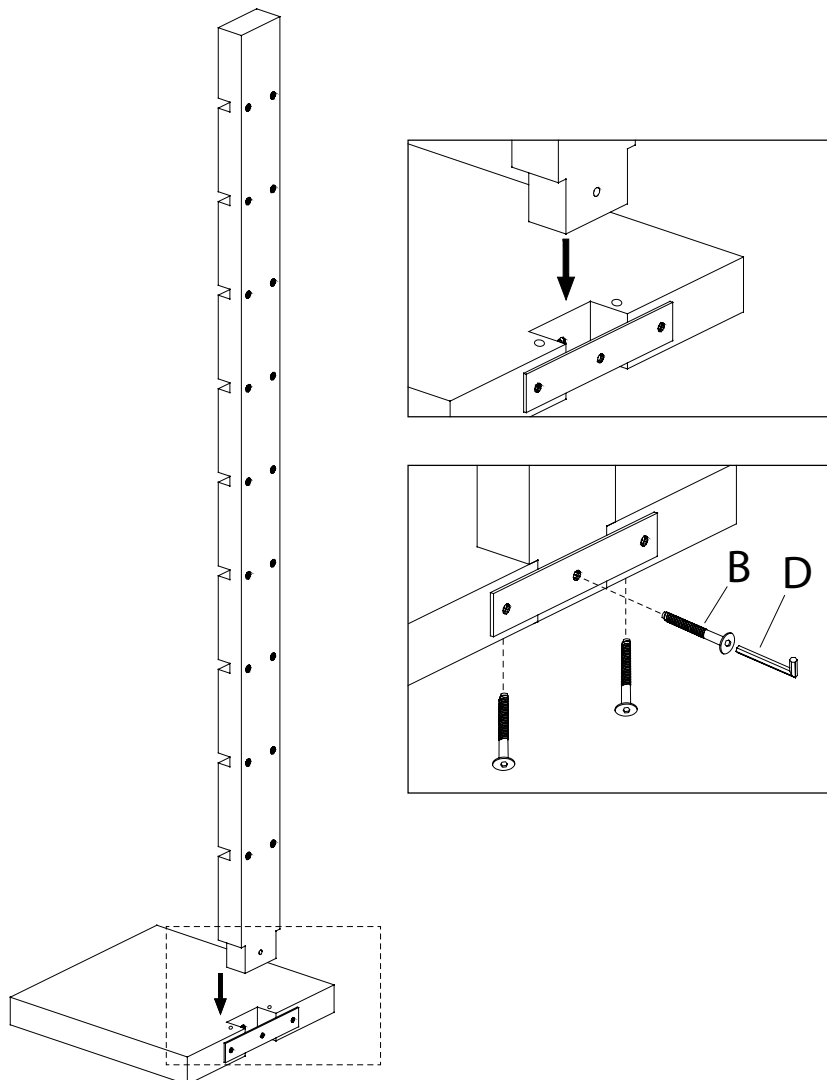
! Assemble this item on a soft surface, such as cardboard or carpet, to protect finish.



1. Fasten plate (E) to back of base using bolts (C) as shown. Turn bolts using allen key (D), but do not tighten all the way yet.

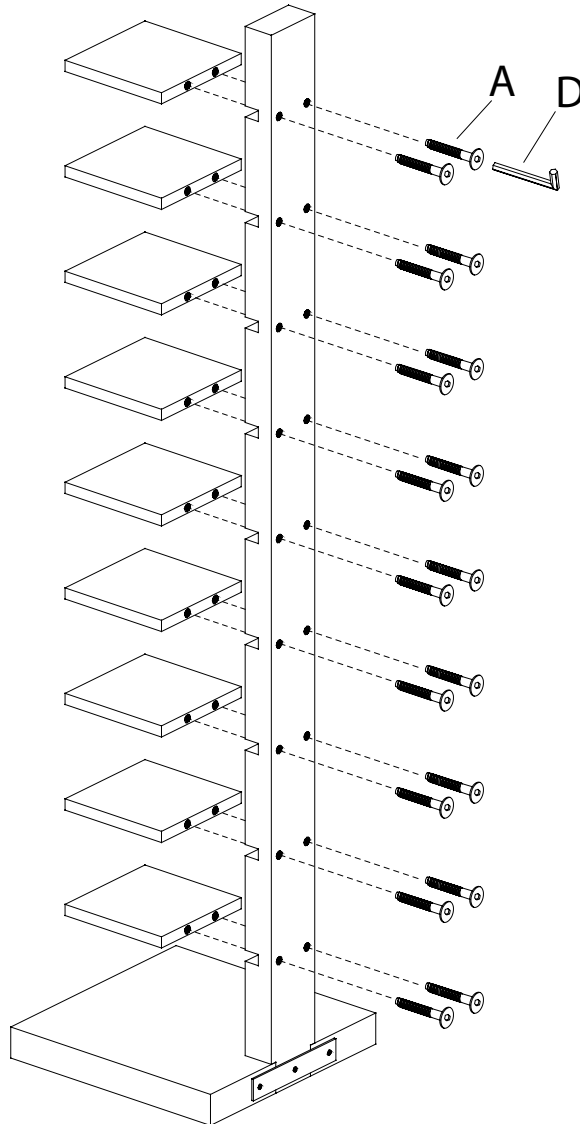


2. Insert post into base as shown. Fasten post to base using bolts (B). Now tighten all bolts using allen key (D).



3. Fasten shelves to post using bolts (A) as shown. Tighten bolts using allen key (D).

Note: The spine wood bookcase is also equipped with an anti-tip kit. The anti-tip kit assembly instructions are printed on the back of the anti-tip kit bag.



CARE INSTRUCTIONS

Hardware may loosen over time. Periodically check that all connections are tight.

Wipe with a soft, dry cloth. To protect finish, avoid the use of chemicals and household cleaners.