

Tools: Pencil, Philips Screwdriver,
Tape measure, Stud-Finder, Level

Hardware: TWO Anchors
TWO Screws

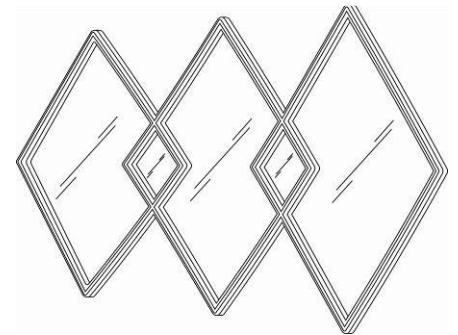
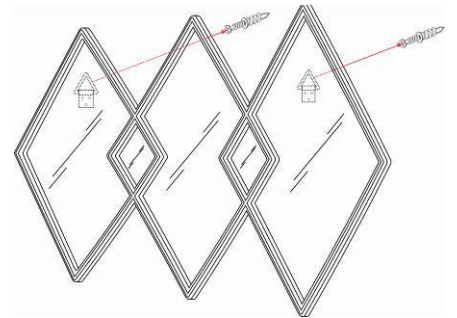
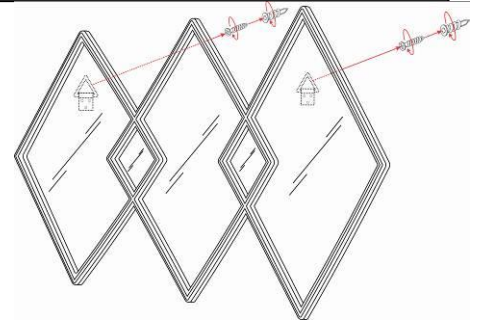
This mirror includes two D-rings on the back for mounting to a wall. Before you get started with the below mounting steps, use a tape measure to measure the distance between the D-rings (measure from the center of each). This is "Measurement (A)."

The hardware included with this item is meant for drywall or stud mounting only. If your walls are made from concrete, brick or plaster, please consult your local hardware store for assistance in selecting the appropriate hardware.

Do not use cable to hang this mirror from a single mounting point. Both D-rings must be used to support this mirror on a wall using the provided hardware and following the below instructions.

Mounting Instructions:

- 1) With the help of another person, hold the mirror level against a wall at a desired mounting so that the rear of the mirror faces towards you. Use a pencil to mark the wall immediately adjacent the mirror and in alignment with the three D-rings so that the three pencil marks and the three D-rings all horizontally align. Set the mirror aside.
- 2) Using a straightedge and a pencil, make a line on the wall connecting the three marks of Step (1). Use a level to make sure that the line is level. Adjust the line if necessary. Now use the pencil and the tape measure to make three "insertion" marks centered along this line so that the three marks are spaced a distance equal to Measurement (A). The mounting hardware will be installed at these three insertion marks.
- 3) The provided anchors cannot penetrate wood. Therefore we have to determine if either of the insertion marks happens to align with a wood stud. Use a stud-finder to determine this. If either does, use the screwdriver to secure a screw at the mark. Rotate the screw clockwise until the screw head is about 3/8 inch from the wall. Do not use the anchor at this mark.
- 4) For insertion marks that do not align with a stud, use a Phillips screwdriver to install an anchor into the wall. To do this, position the tip of the anchor against the wall at the mark and then firmly push the anchor into the wall as you rotate the anchor clockwise. The anchor is designed to drive itself into the wall as it is rotated. Continue rotating the anchor until the wide end becomes even with the surface of the wall.
- 5) Use the screwdriver to secure a screw into each installed anchor of Step (4). Rotate the screw clockwise until the screw head is about 3/8 inch from the wall.
- 6) With the help of another person, raise the mirror against the wall so that the D-rings are supported by the screw heads.



Care Instructions: To clean: wipe with a soft, dry cloth. Do not use abrasive or strong chemical household cleaners. A household glass cleaner may be used for the mirror surfaces – spray the cleaner on a clean cloth first and then use the cloth to clean the glass. Do not spray the cleaner directly onto the glass or frame surfaces.