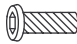





! Do not throw away packaging materials until assembly is complete.


! Assemble this item on a soft surface, such as cardboard or carpet, to protect finish.

HARDWARE

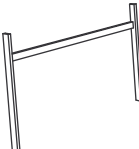
A		SCREW	8 PCS
B		ALLEN KEY	1 PCS
C		GLASS PAD	6 PCS
D		ADJUSTABLE LEVELER	4 PCS

PARTS

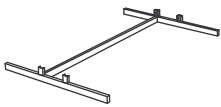
① TOP FRAME X 1




② LEG X 1




③ BASE X 1



④ POST X 2

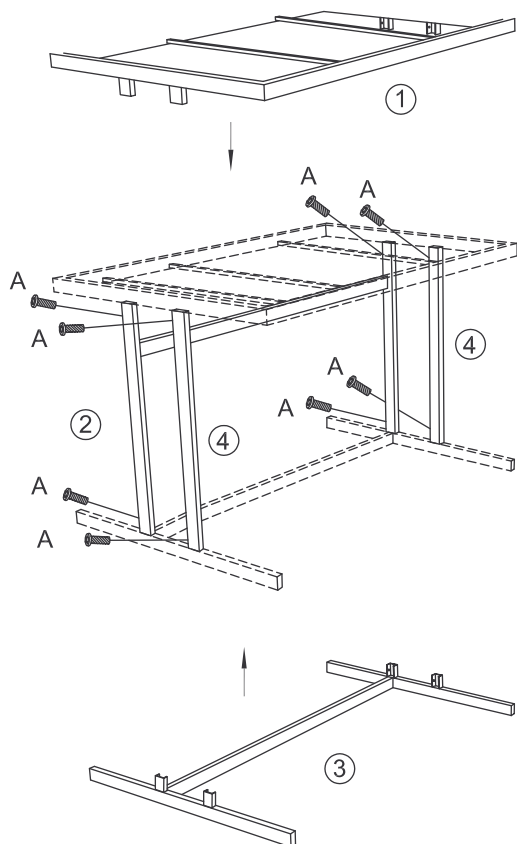


⑤ GLASS TOP X 1



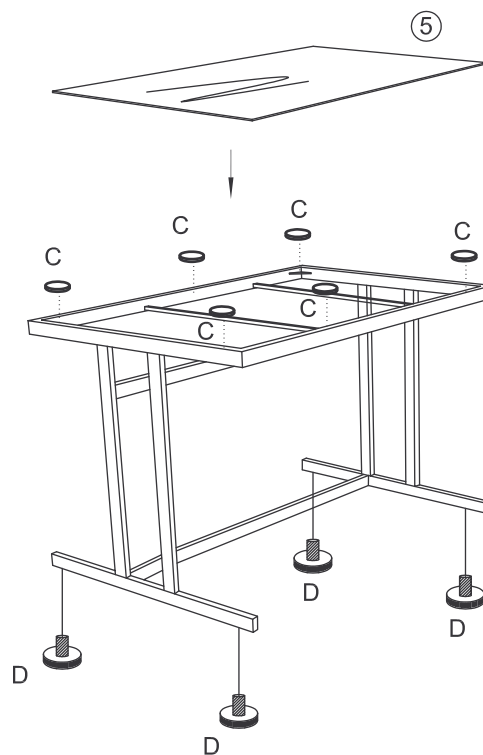
Step 1

ATTACH LEG (2) AND POST (4) TO BASE (3) USING SCREW (A). ALSO ATTACH TOP FRAME (1) TO LEG (2) AND POST (4) USING SCREW (A). THEN TIGHTEN ALL SCREWS.



Step 2

ATTACH GLASS PAD (C) TO TOP FRAME (1) THEN PLACE THE GLASS TOP (5) ONTO THE TOP FRAME (1). ATTACH ADJUSTABLE LEVELER (D) TO BASE (3) AND TIGHTEN.



NOTE: FOR UNEVEN FLOORS SIMPLY ADJUST ADJUSTABLE LEVELERS

CARE INSTRUCTION

Hardware may loosen over time. Periodically check that all connections are tight.

Wipe with a soft, dry cloth. To protect finish, avoid the use of chemicals and household cleaners.