

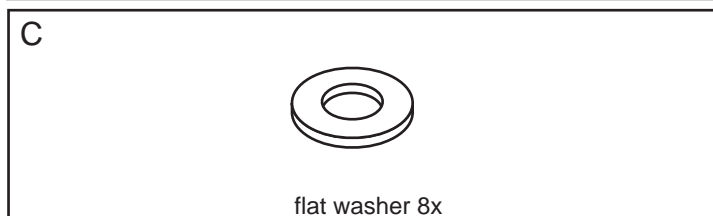
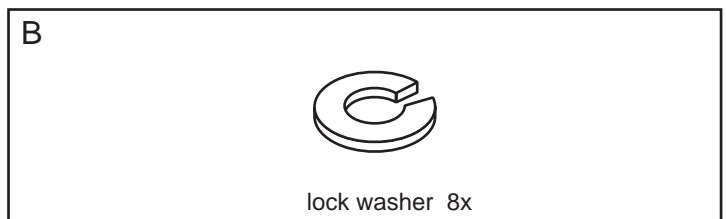
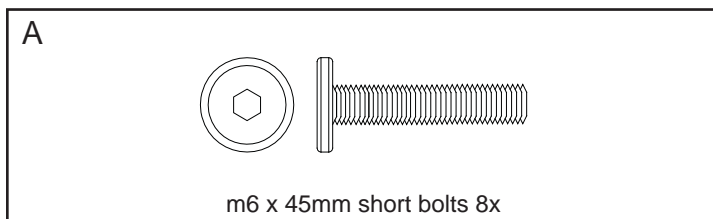
! Tools supplied:

! Do not throw away packaging materials until assembly is complete.

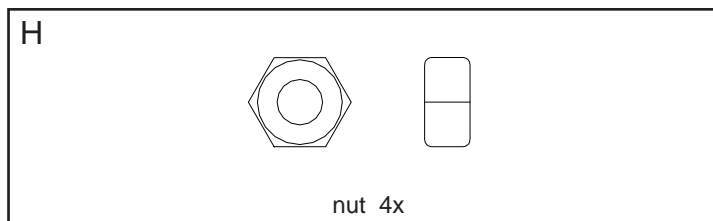
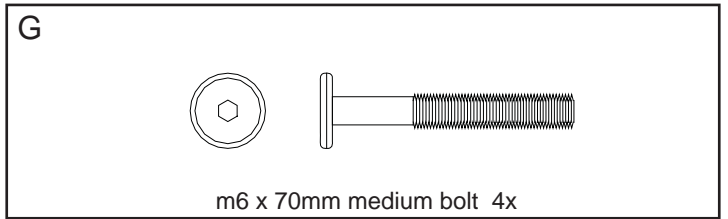
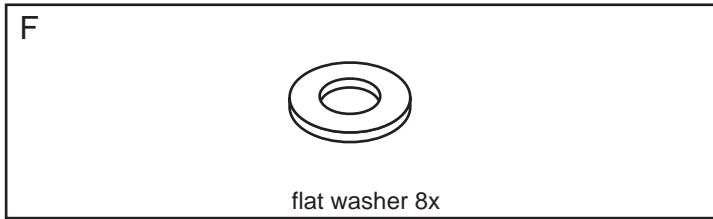
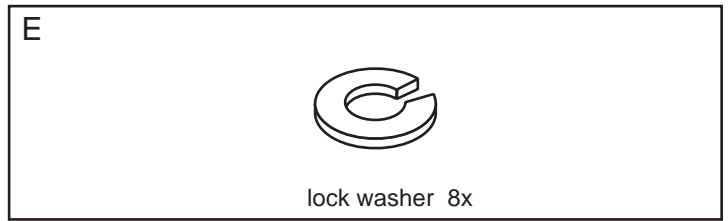
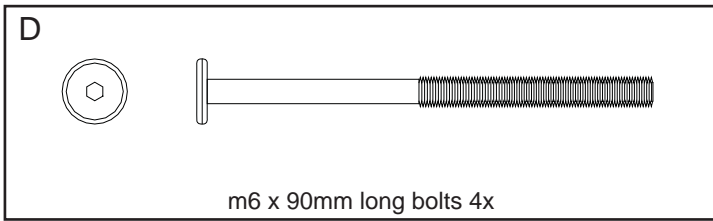
! Assemble this item on a soft surface, such as cardboard or carpet, to protect finish.

! Proper assembly of this item requires 2 people.

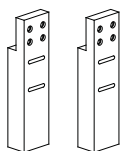
Hardware to assemble headboard



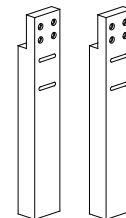
Hardware to attach headboard to bedframe



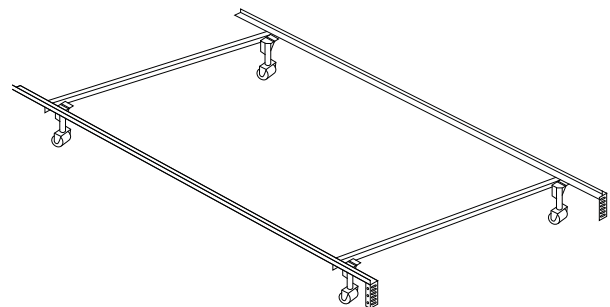
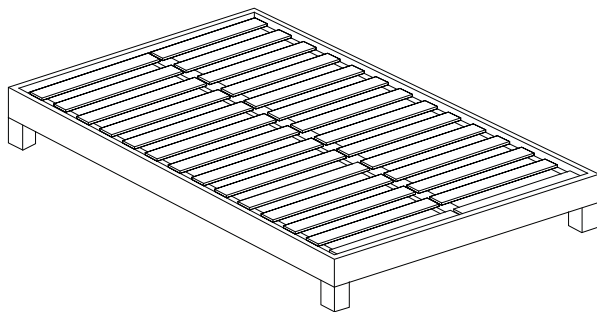
Choose the legs to match your bedframe:



used short legs with bed-frame below

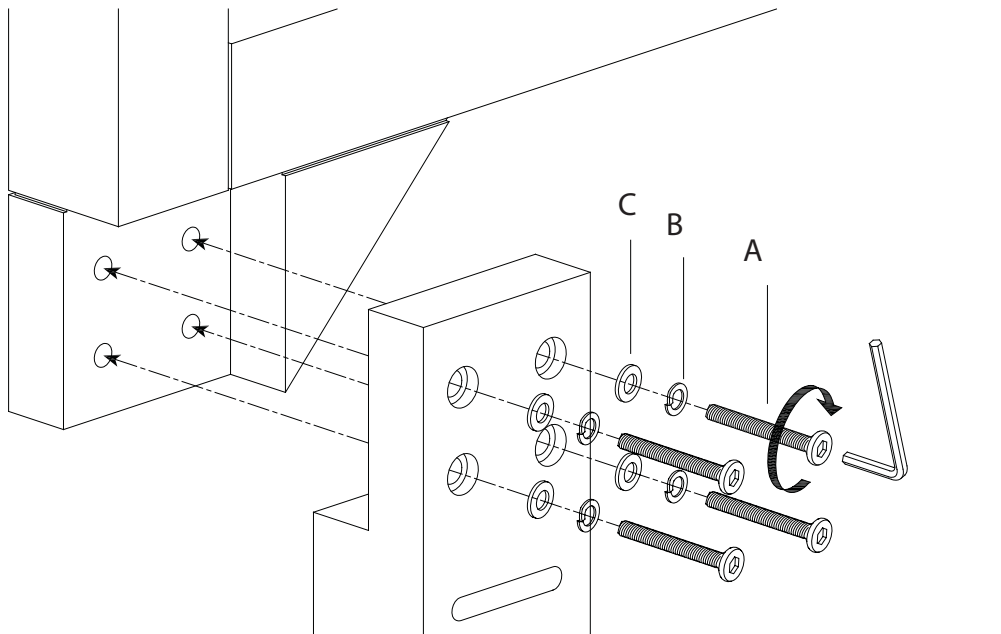
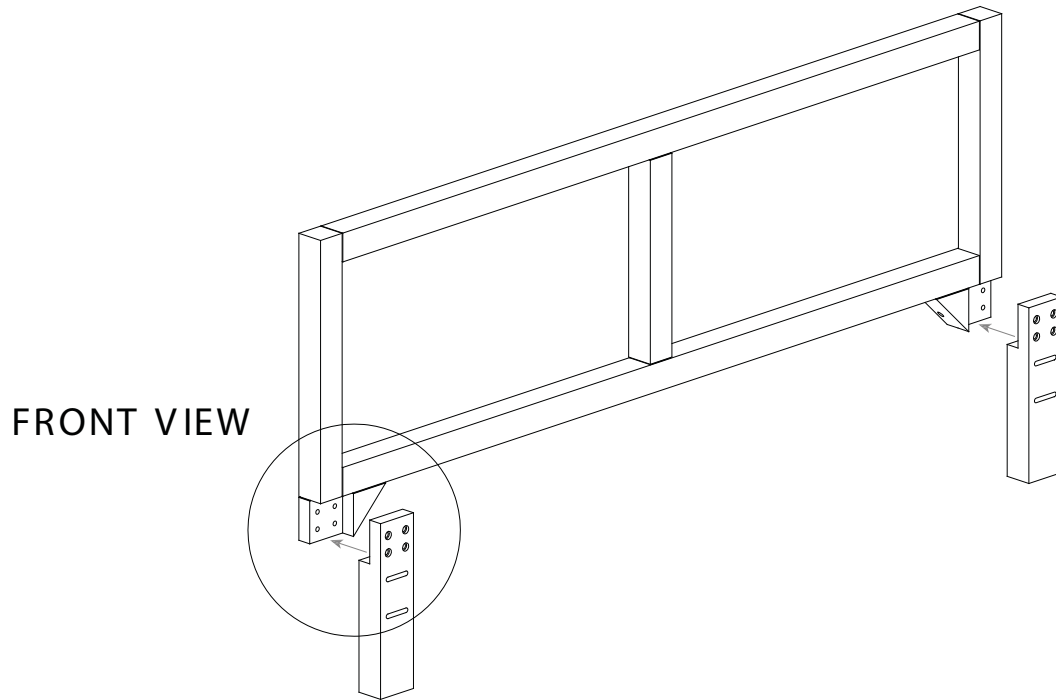


use tall legs with bed-frame below



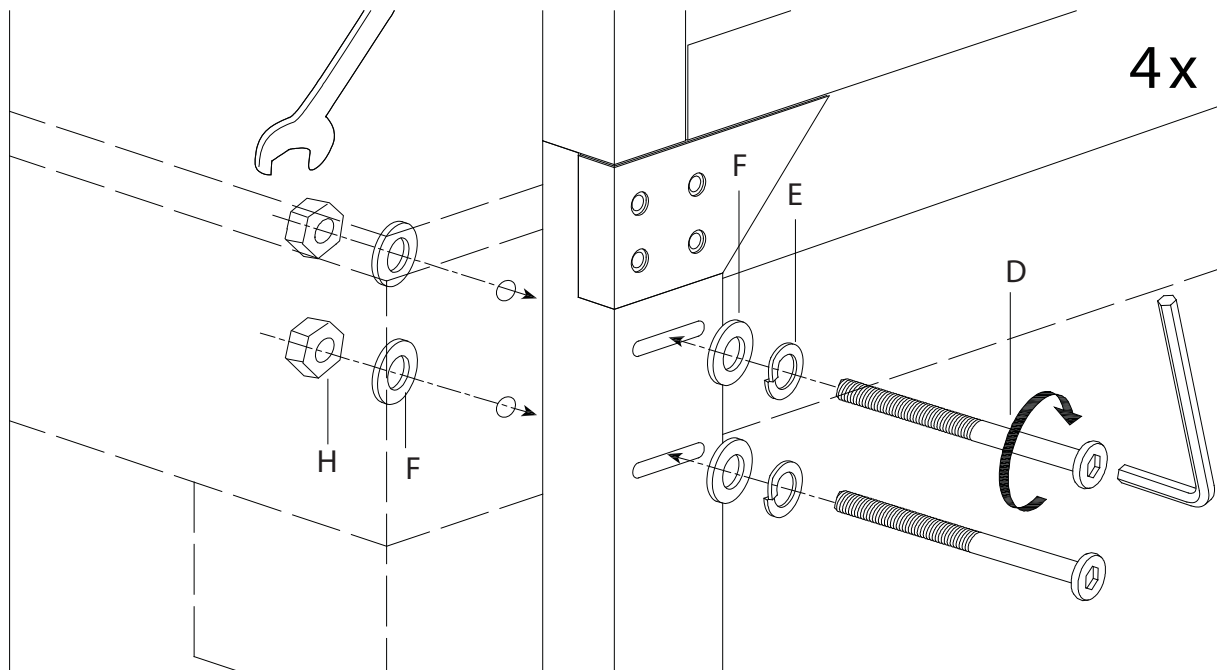
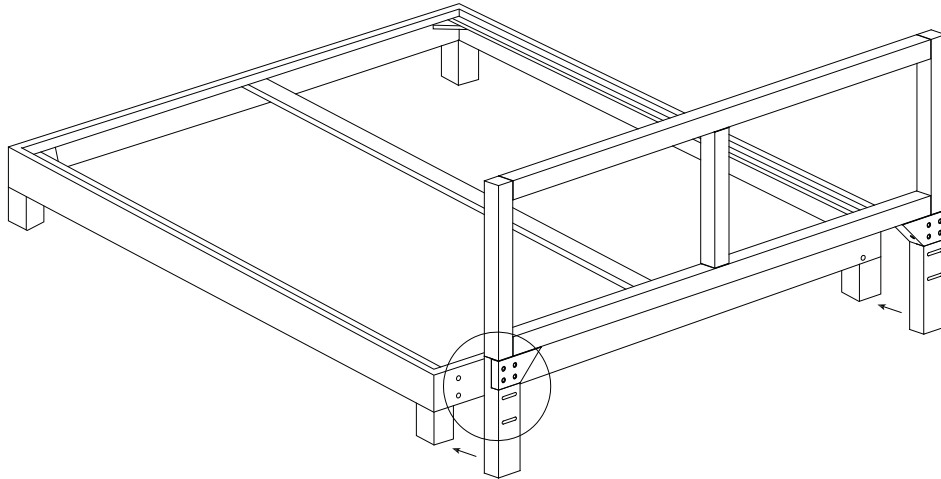
(Bedframe sold seperately)

1. Align legs with the headboard. Attach using the hardware shown.



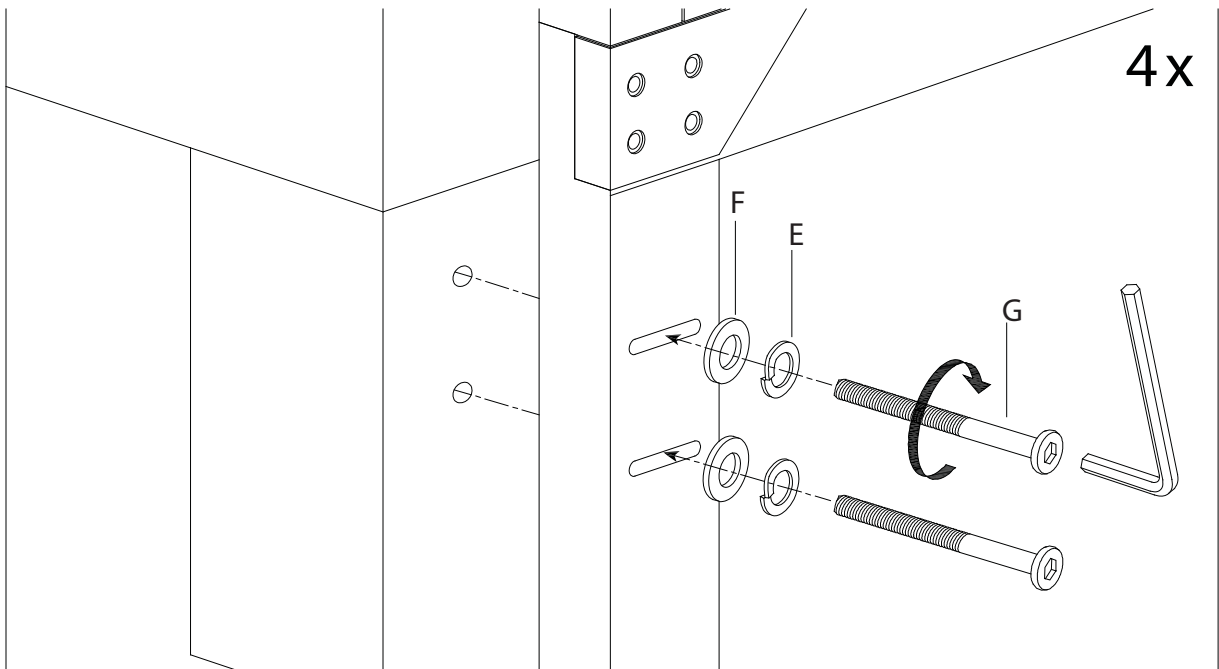
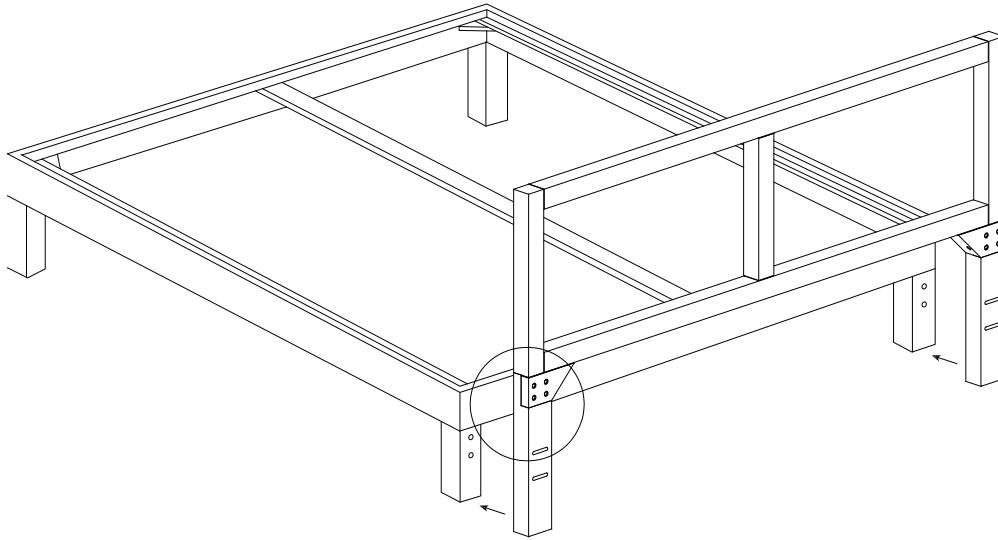
Attaching the headboard to wood bedframe:

1. Align the hardware as shown and tighten all bolts.

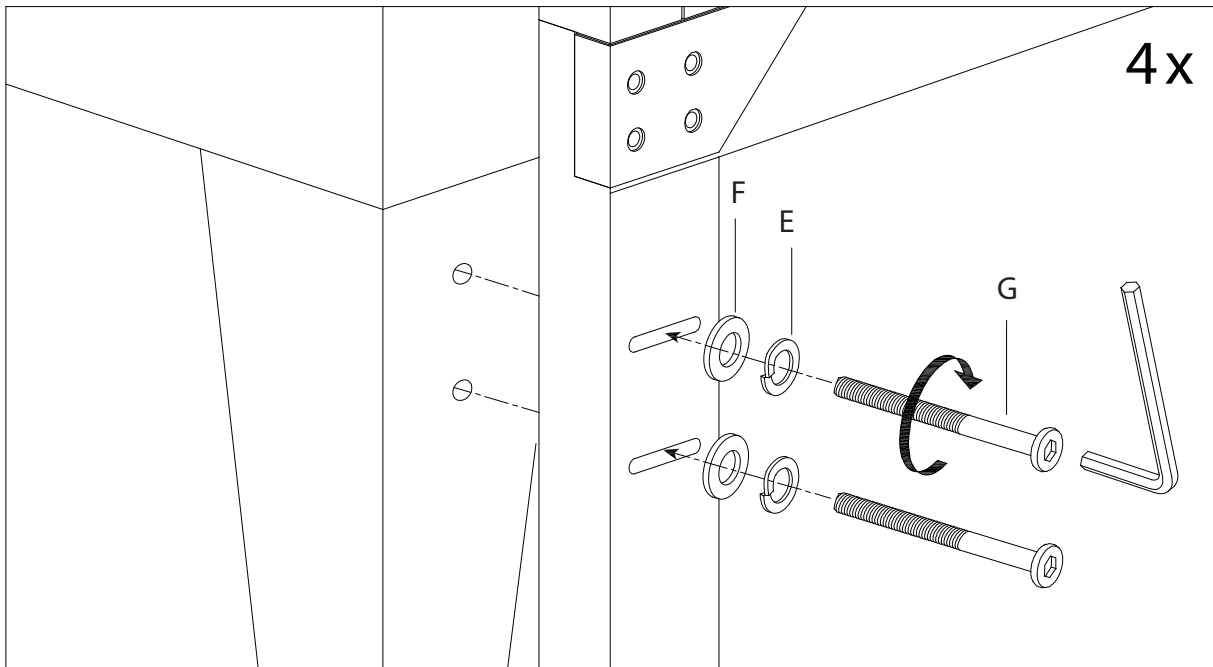
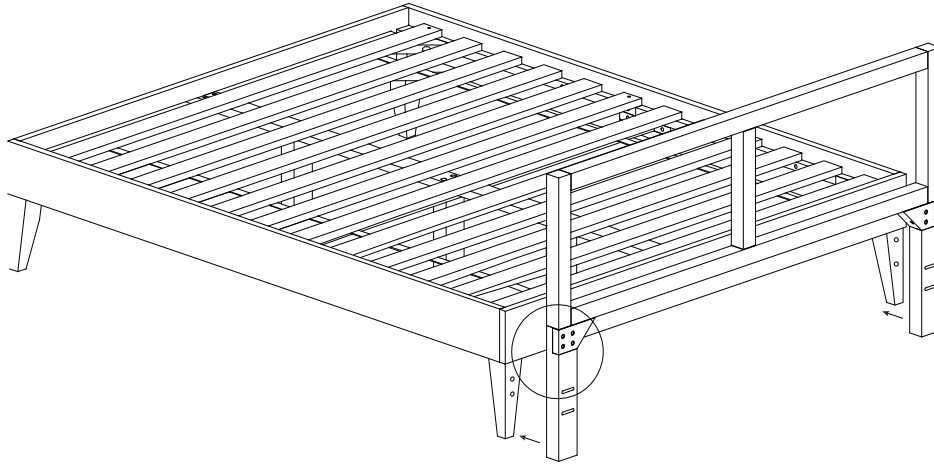


Attaching the headboard to tall wood bedframe:

1. Align the hardware as shown and tighten all bolts.

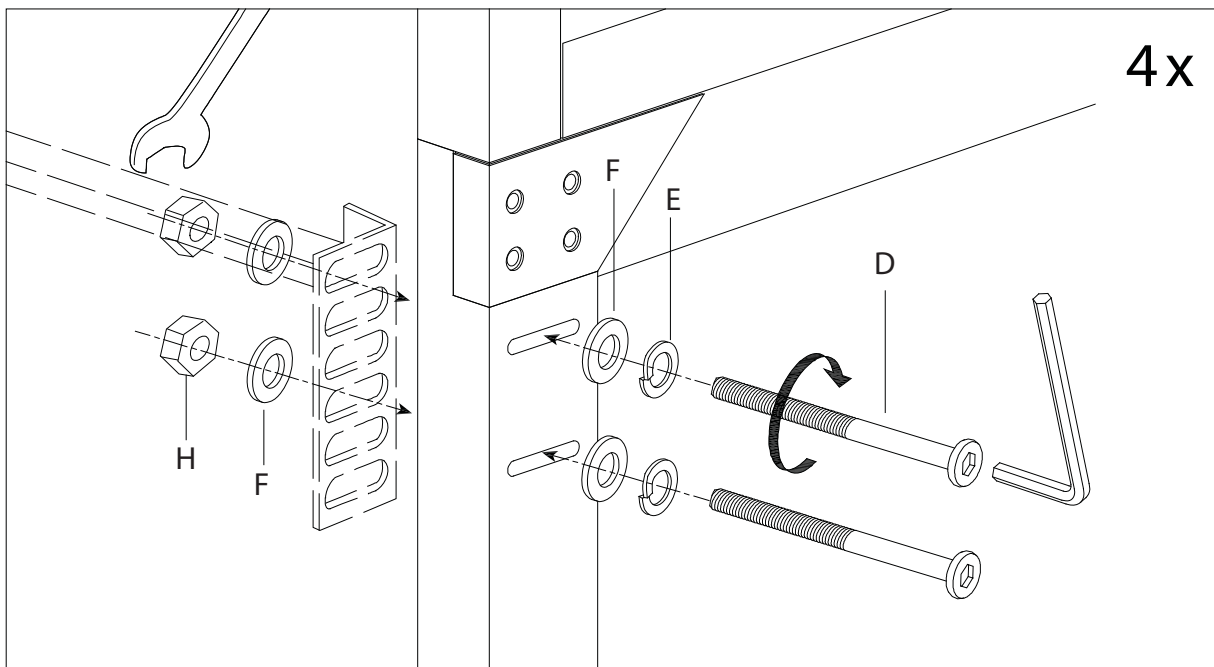
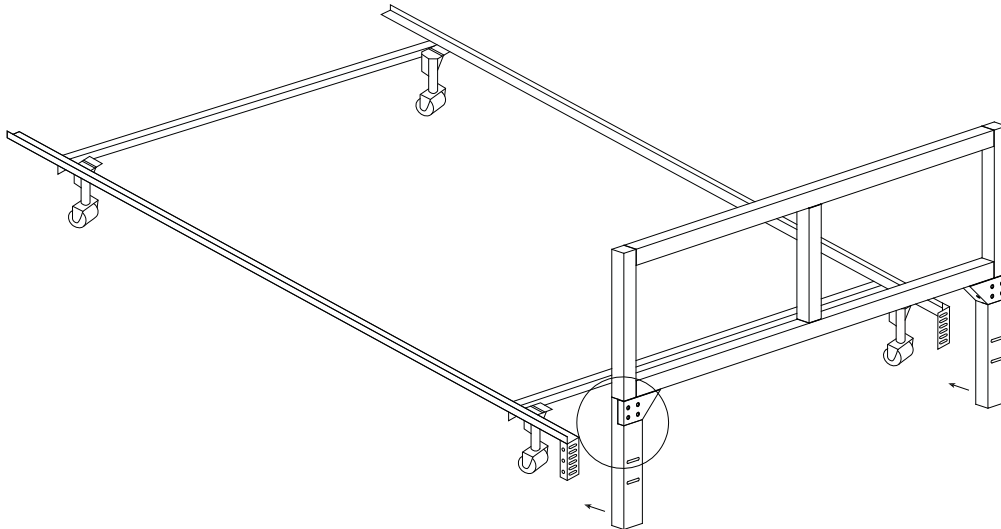


Attaching the headboard to narrow leg bedframe:
1. Align the hardware as shown and tighten all bolts.



Attaching the headboard to metal bedframe:

1. Align the hardware as shown and tighten all bolts.



CARE INSTRUCTIONS

Hardware may loosen overtime. Periodically check that all connections are tight.

Wipe with a soft, dry cloth. To protect finish, avoid the use of chemicals and household cleaners.