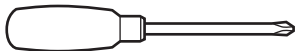


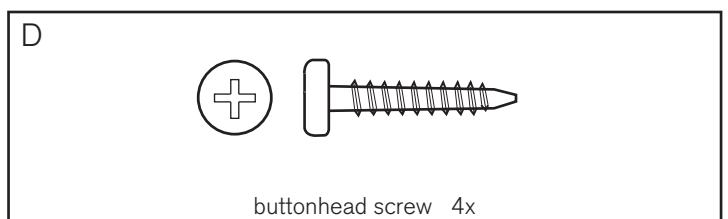
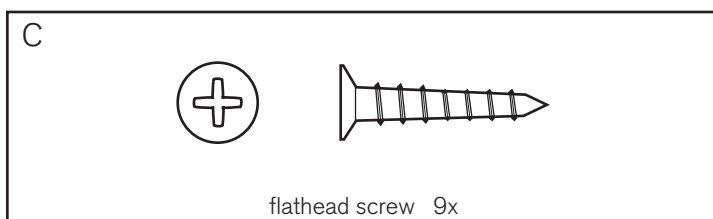
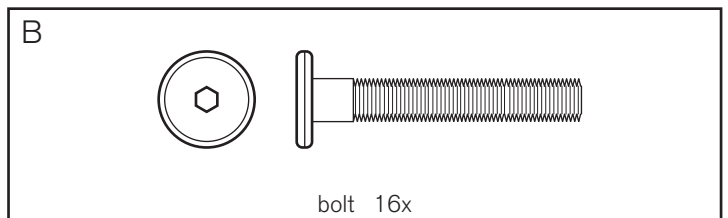
! Tools required:



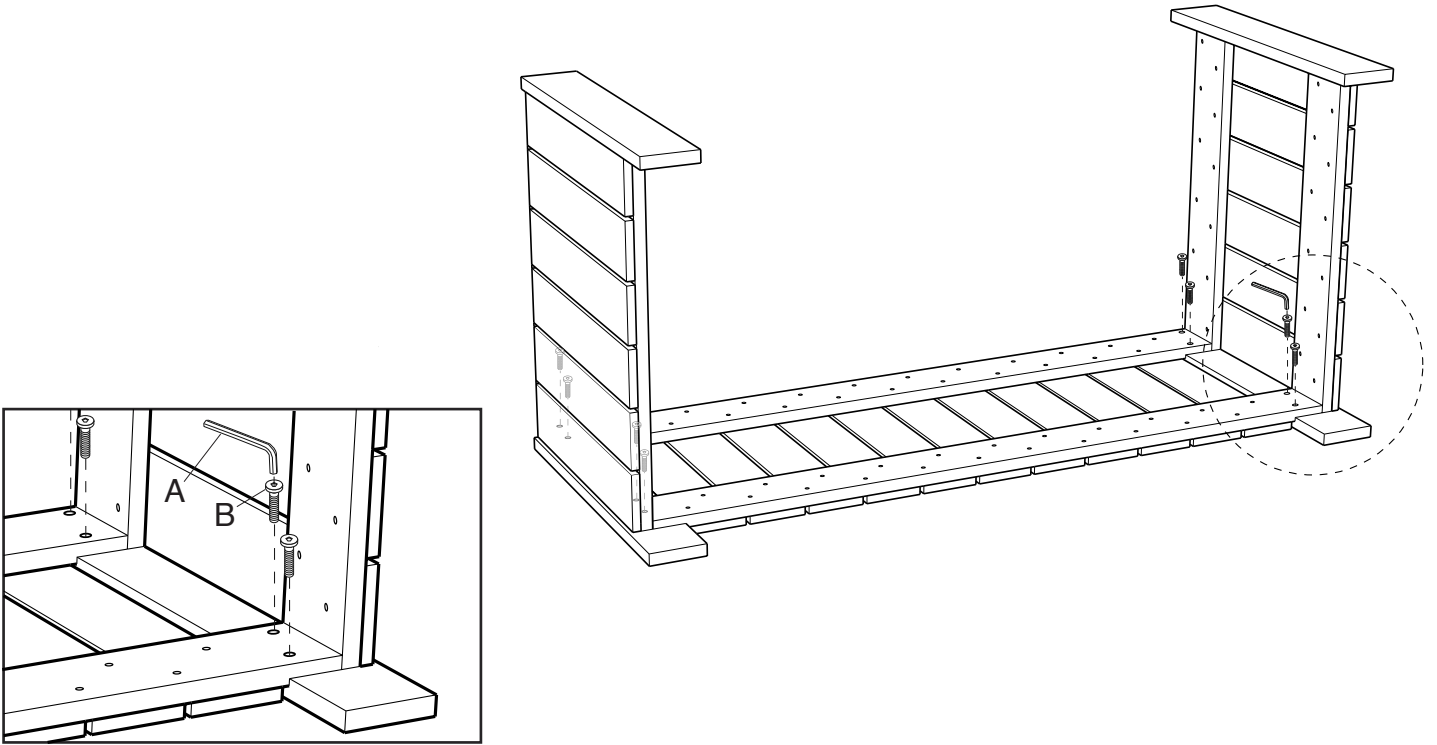
! Do not throw away packaging materials until assembly is complete.

! Assemble this item on a soft surface, such as cardboard or carpet, to protect finish.

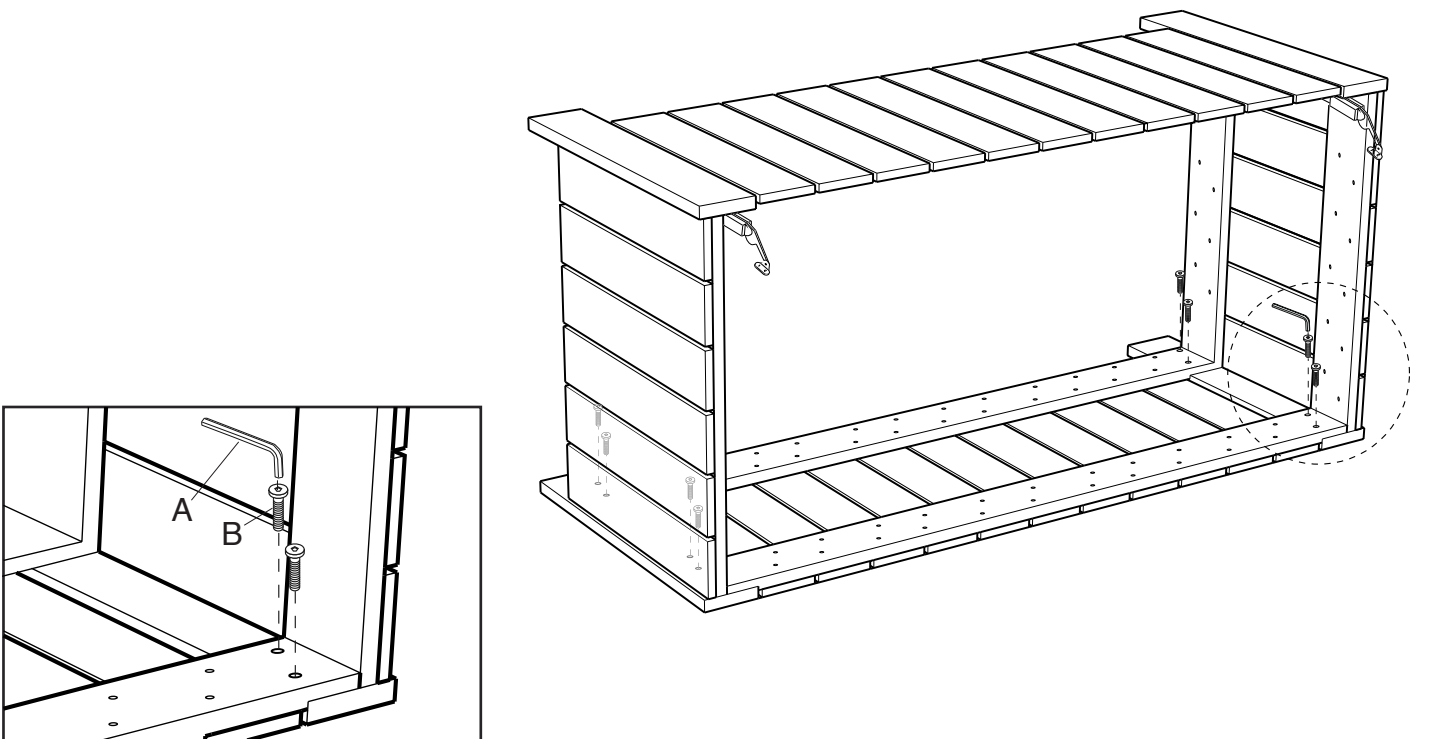
! Proper assembly of this item requires 2 people.



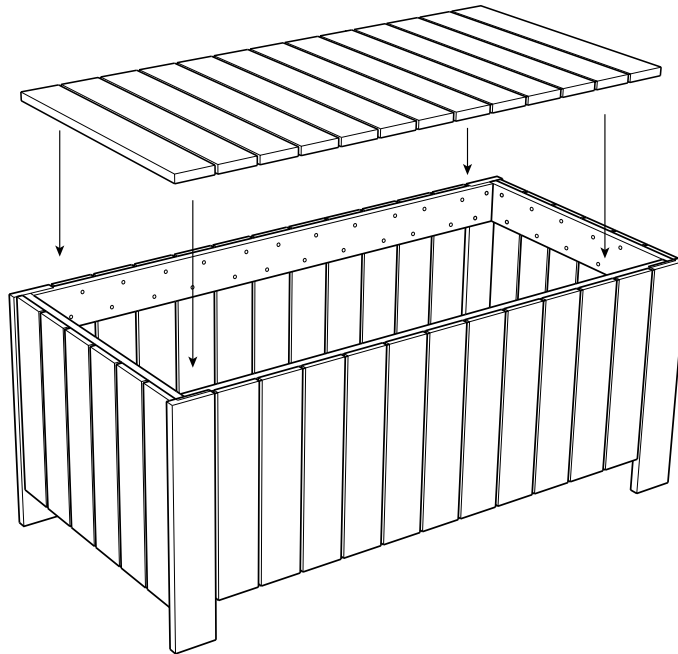
1. Fasten bench sides to to back as shown. Tighten bolts (B) using allen key (A).



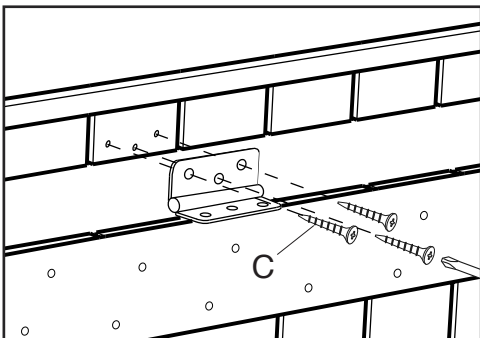
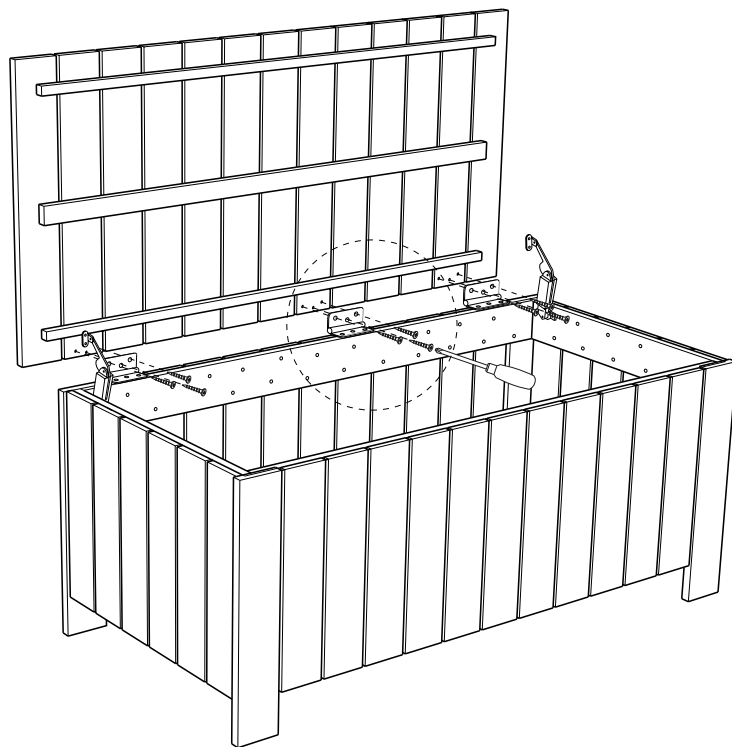
2. Fasten bench sides to to front as shown. Tighten bolts (B) using allen key (A).



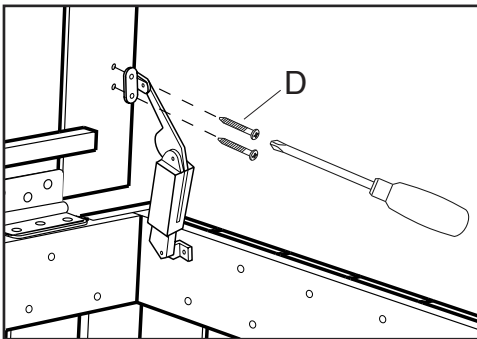
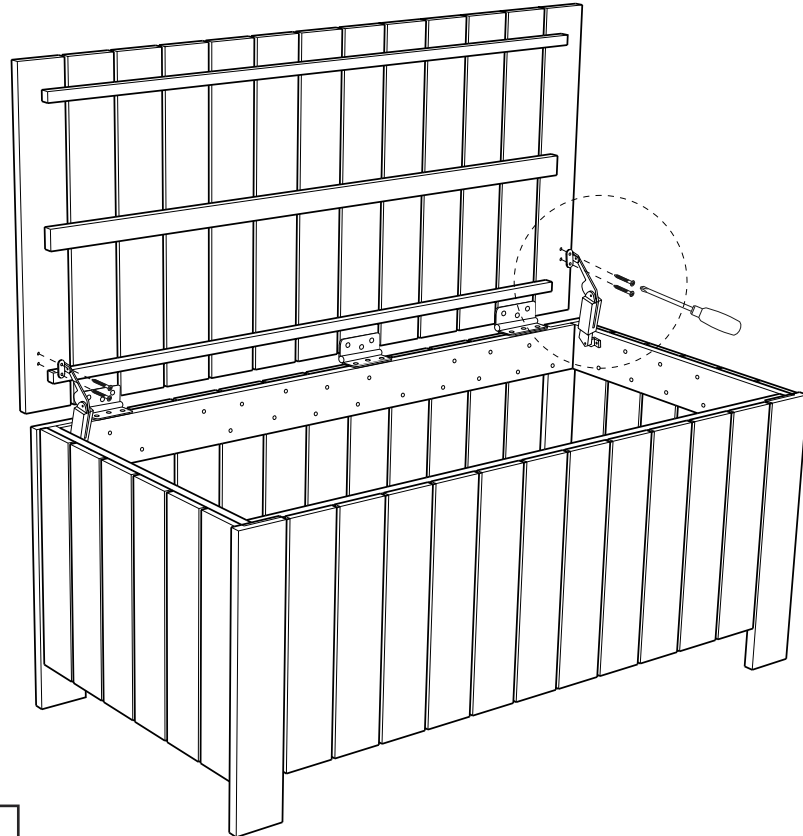
3. Set in bottom tray.



3. Fasten hinges on back into pre-drilled holes in top using flathead screws (C) as shown. Tighten screws with a phillips screwdriver.



4. Fasten lidstays into pre-drilled holes in top using buttonhead screws (D) as shown.



CARE INSTRUCTIONS

Hardware may loosen over time. Periodically check that all connections are tight.

Wipe with a soft, dry cloth. To protect finish, avoid the use of chemicals and household cleaners.