

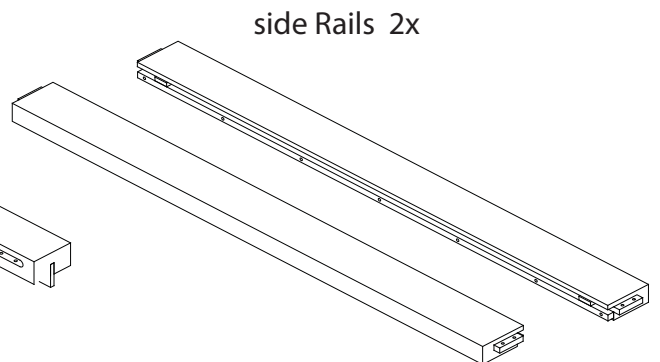
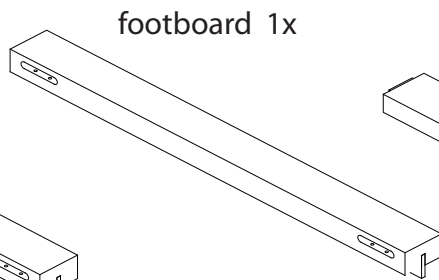
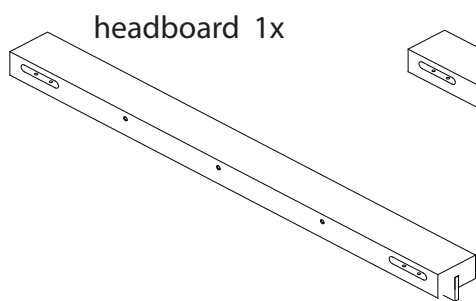
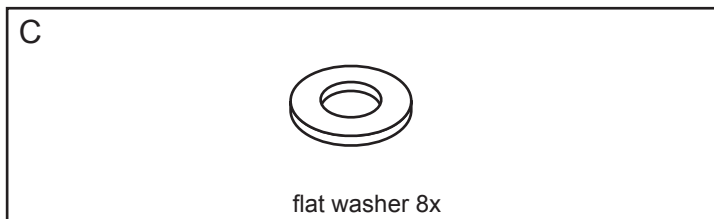
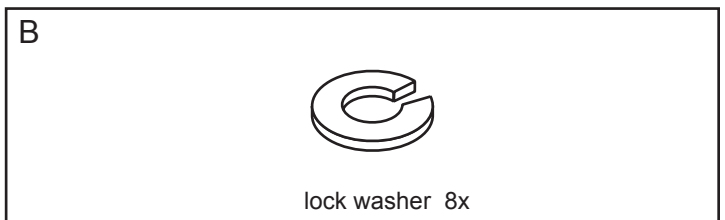
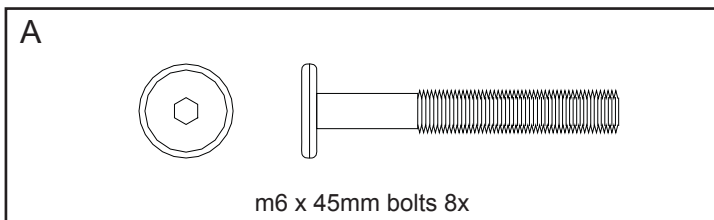
! Tools supplied:

! Do not throw away packaging materials until assembly is complete.

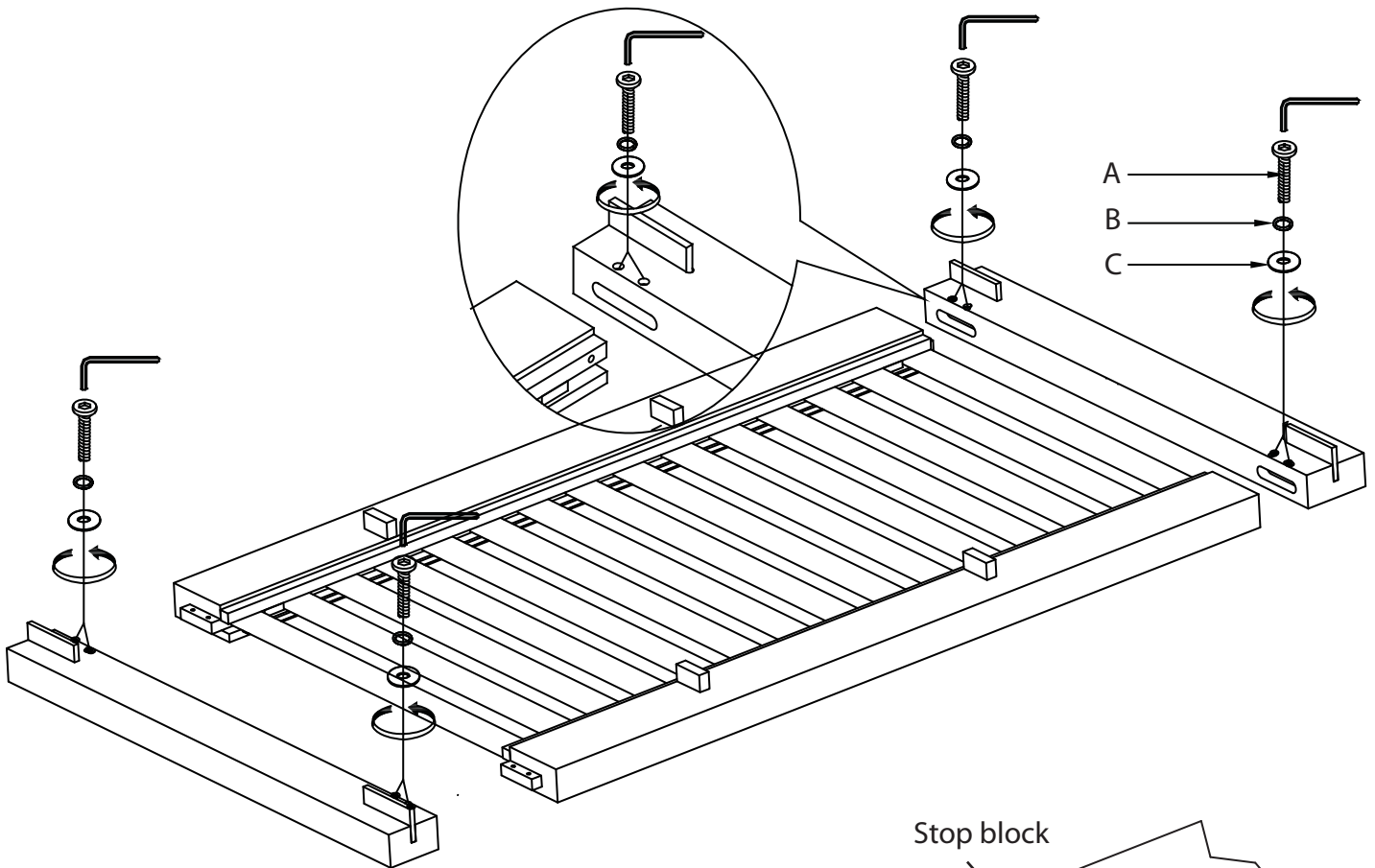
! Assemble this item on a soft surface, such as cardboard or carpet, to protect finish.

! Proper assembly of this item requires 2 people.

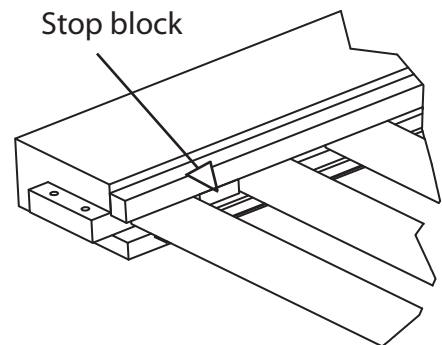
## Hardware



1. Assemble all parts upside down on a clean, smooth surface. Slide wood slats in between rails with strap facing down. Align and insert the tenon on the end of the side rails into the cutouts in the side of the headboard and footboard like the drawing shows. Insert bolt (A), lock washer (B), and flat washer (C) thru the holes shown in the drawing. Tighten with supplied hex key. Do Not Overtighten!  
With help turn assembled bedframe over.



Note: When installing slats make sure that the last slat is outside of the stop block like the picture shows.



#### CARE INSTRUCTIONS

Hardware may loosen overtime. Periodically check that all connections are tight.

Wipe with a soft, dry cloth. To protect finish, avoid the use of chemicals and household cleaners.