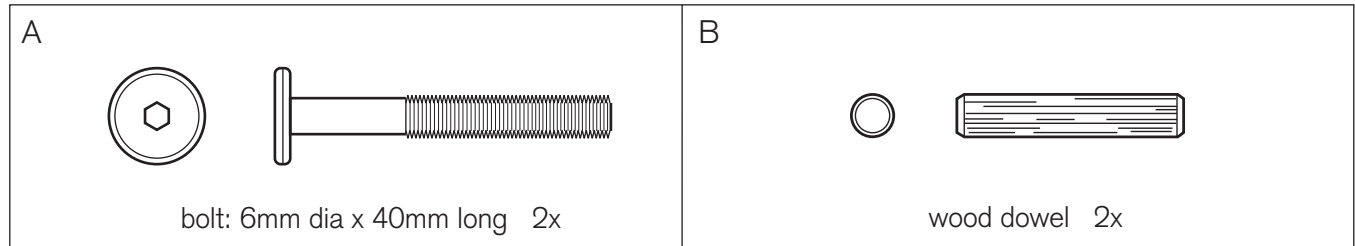
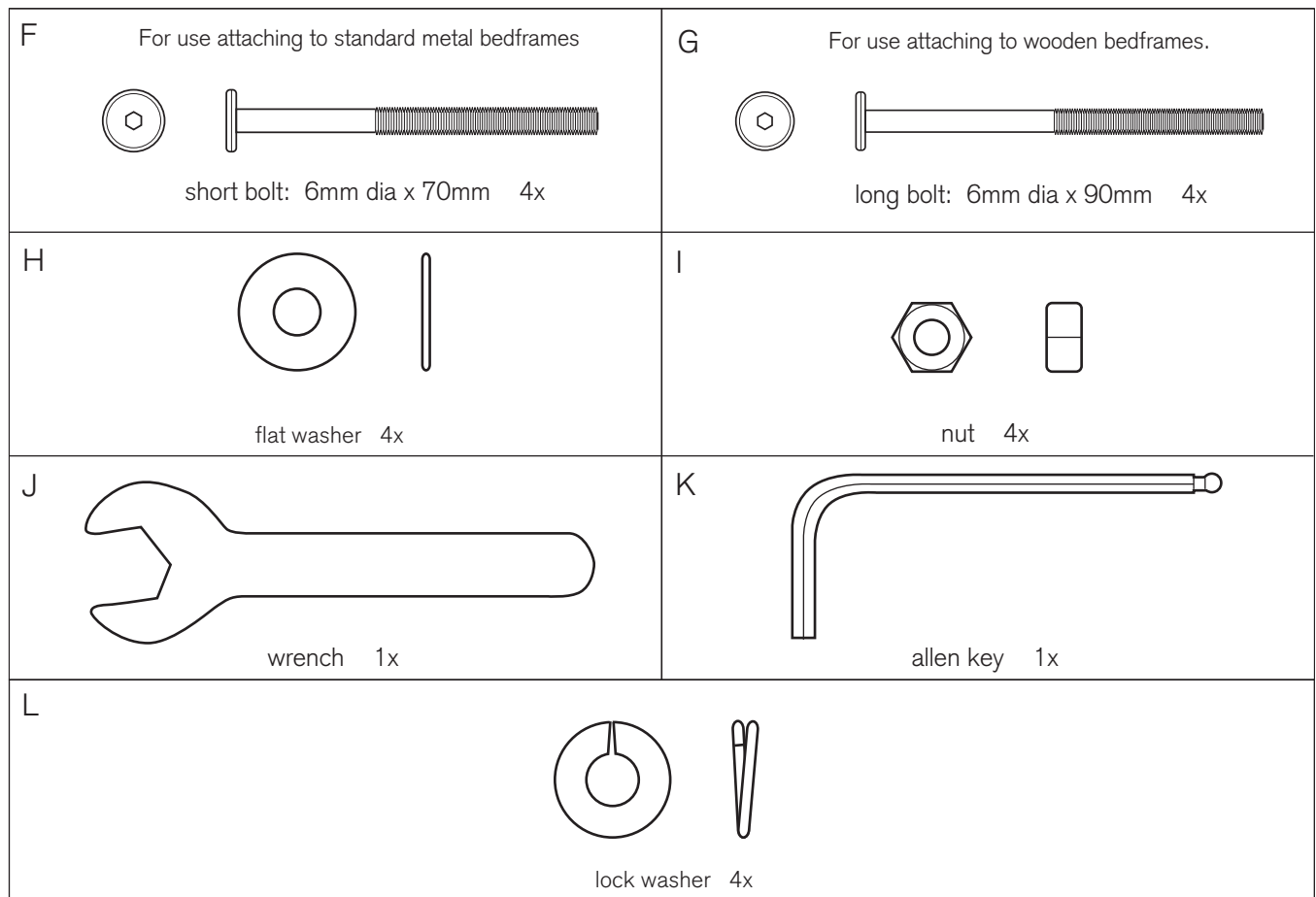


- ! Do not throw away packaging materials until assembly is complete.
- ! Assemble this item on a soft surface, such as cardboard or carpet, to protect finish.
- ! Proper assembly of this item requires 2 people.

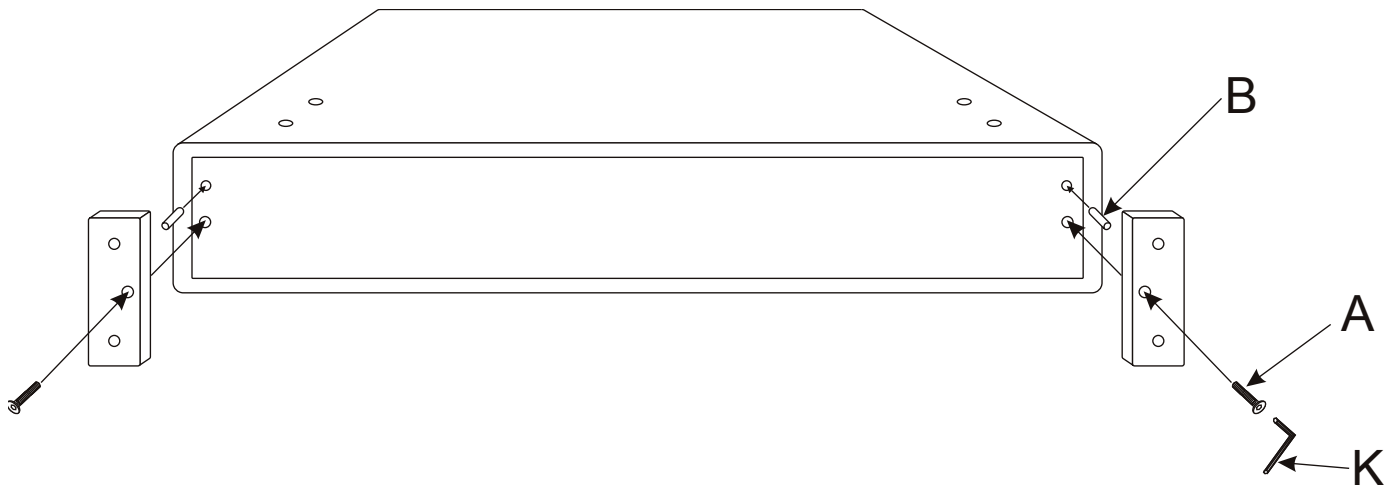
For assembly of headboard:



For attaching headboard to bedframe:



1. Fasten feet to headboard using screws (A), and dowels (B) as shown. Tighten screws with allen key (K).



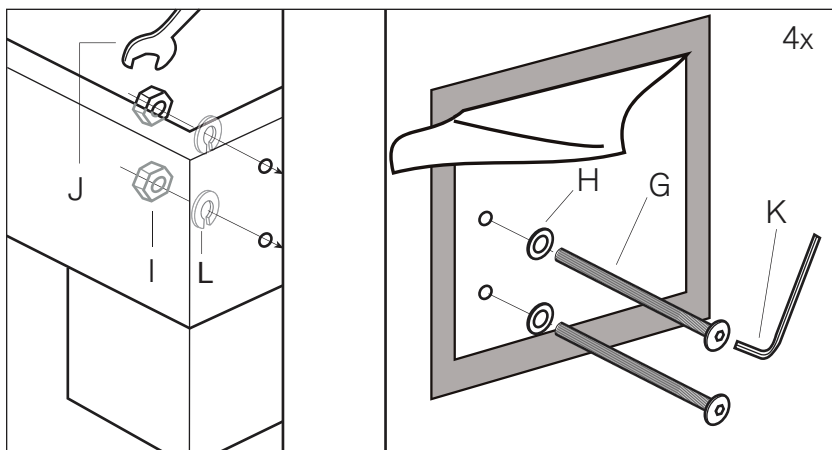
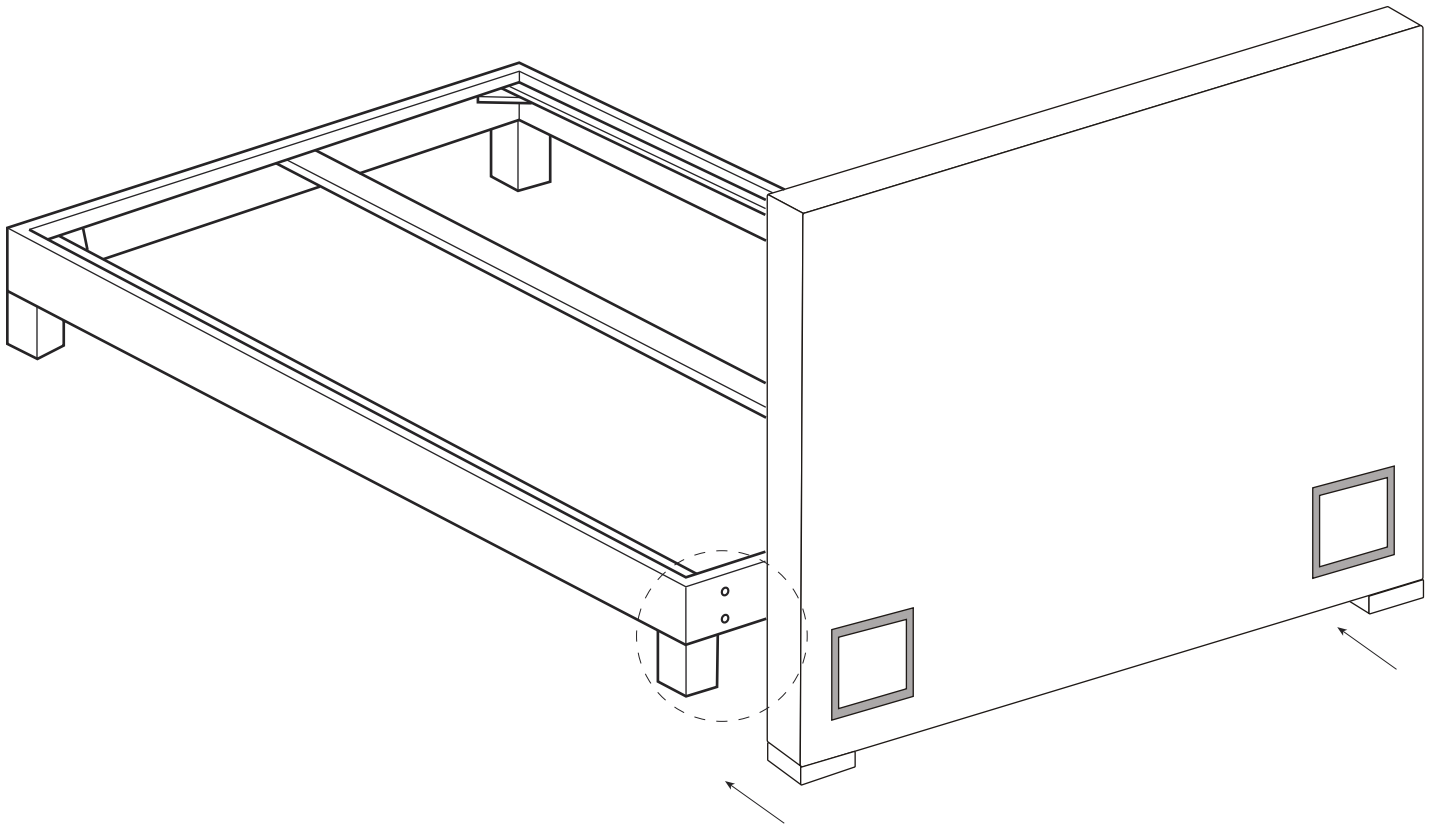
CARE INSTRUCTIONS

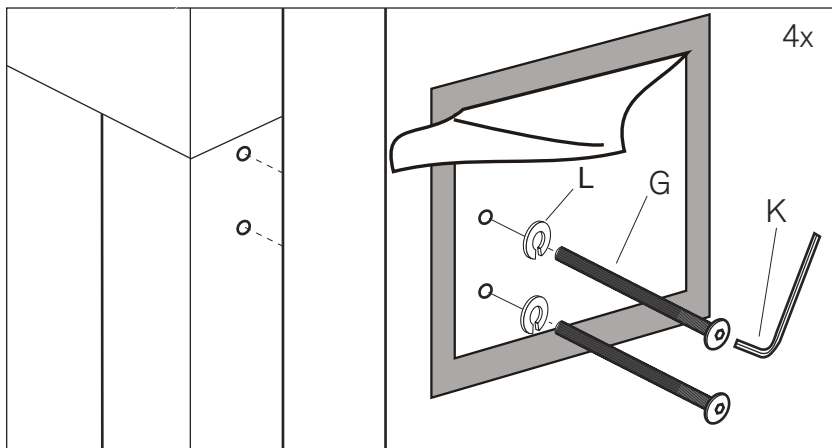
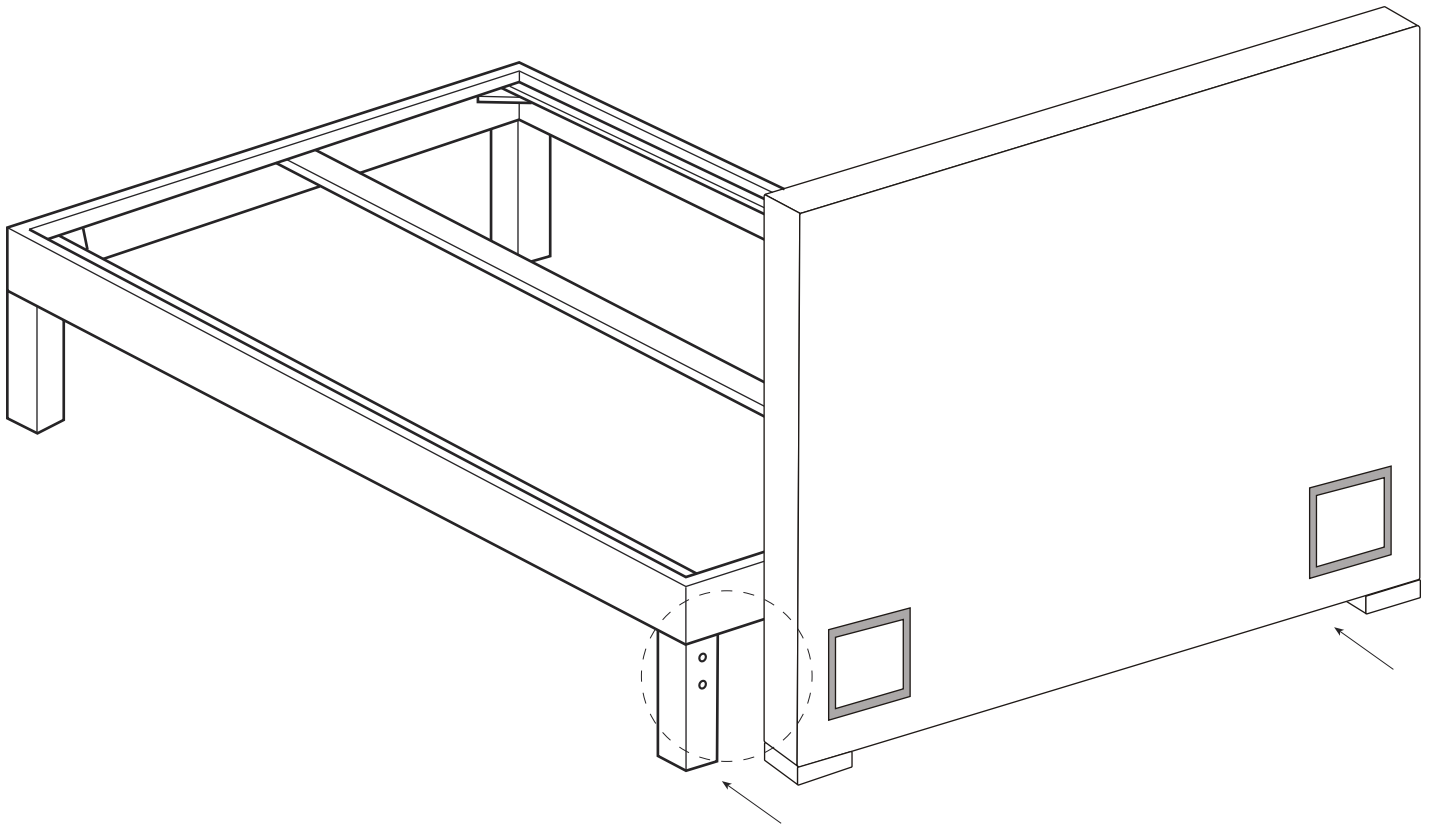
Hardware may loosen over time. Periodically check that all connections are tight.

Wipe with a soft, dry cloth. To protect finish, avoid the use of chemicals and household cleaners.

Attaching the headboard to wood bed frame:

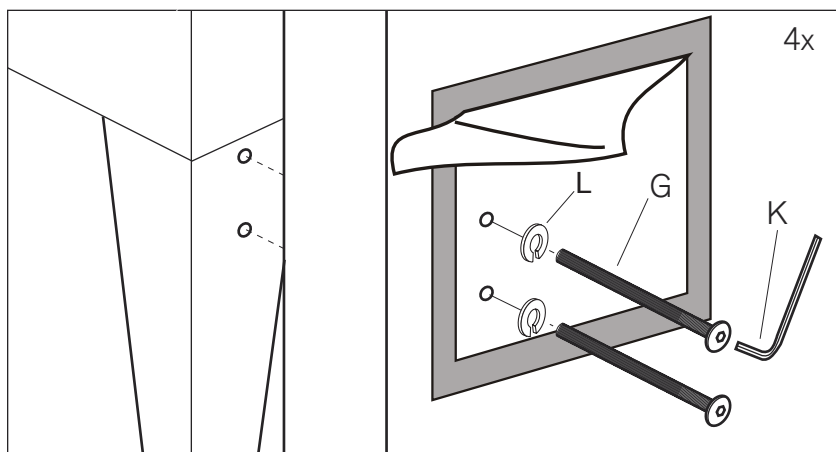
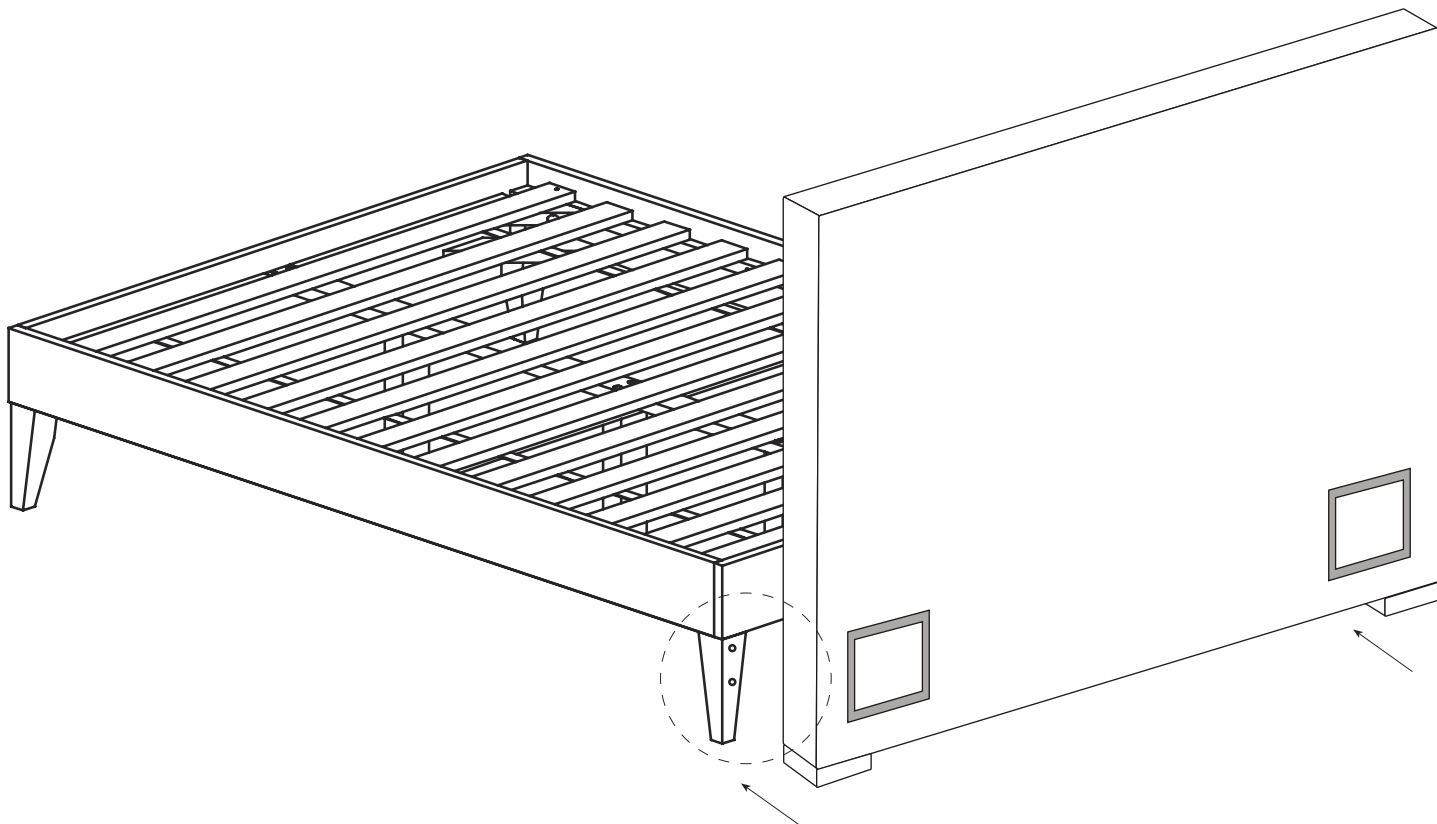
1. Align hardware as shown and tighten.





Attaching the headboard to narrow leg bed frame

1. Align hardware as shown and tighten.



Attaching the headboard to standard metal frame:

1. Align hardware as shown and tighten.

