

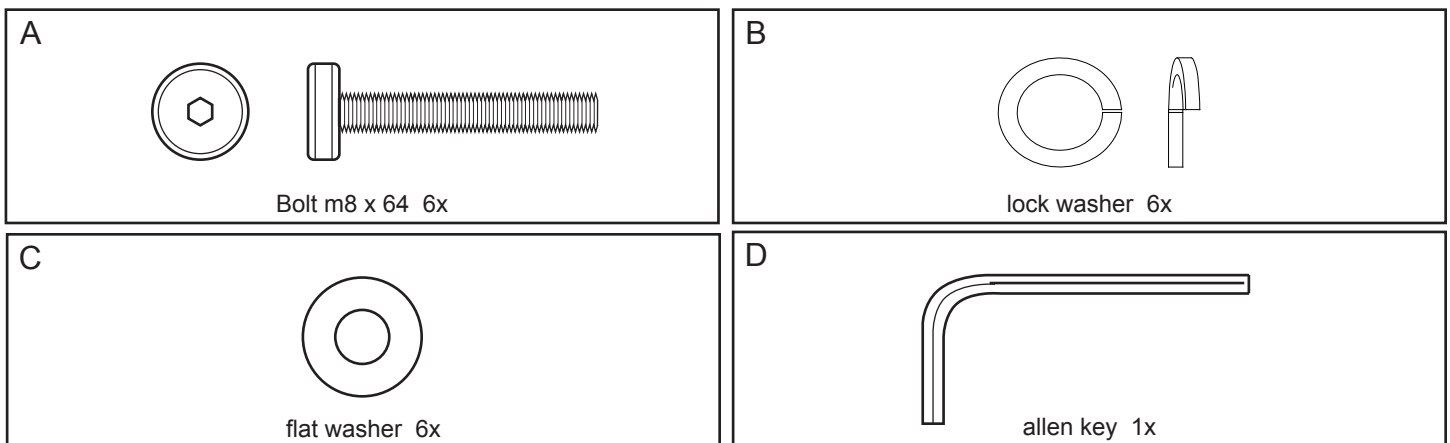
! Tools required:

! Do not throw away packaging materials until assembly is complete.

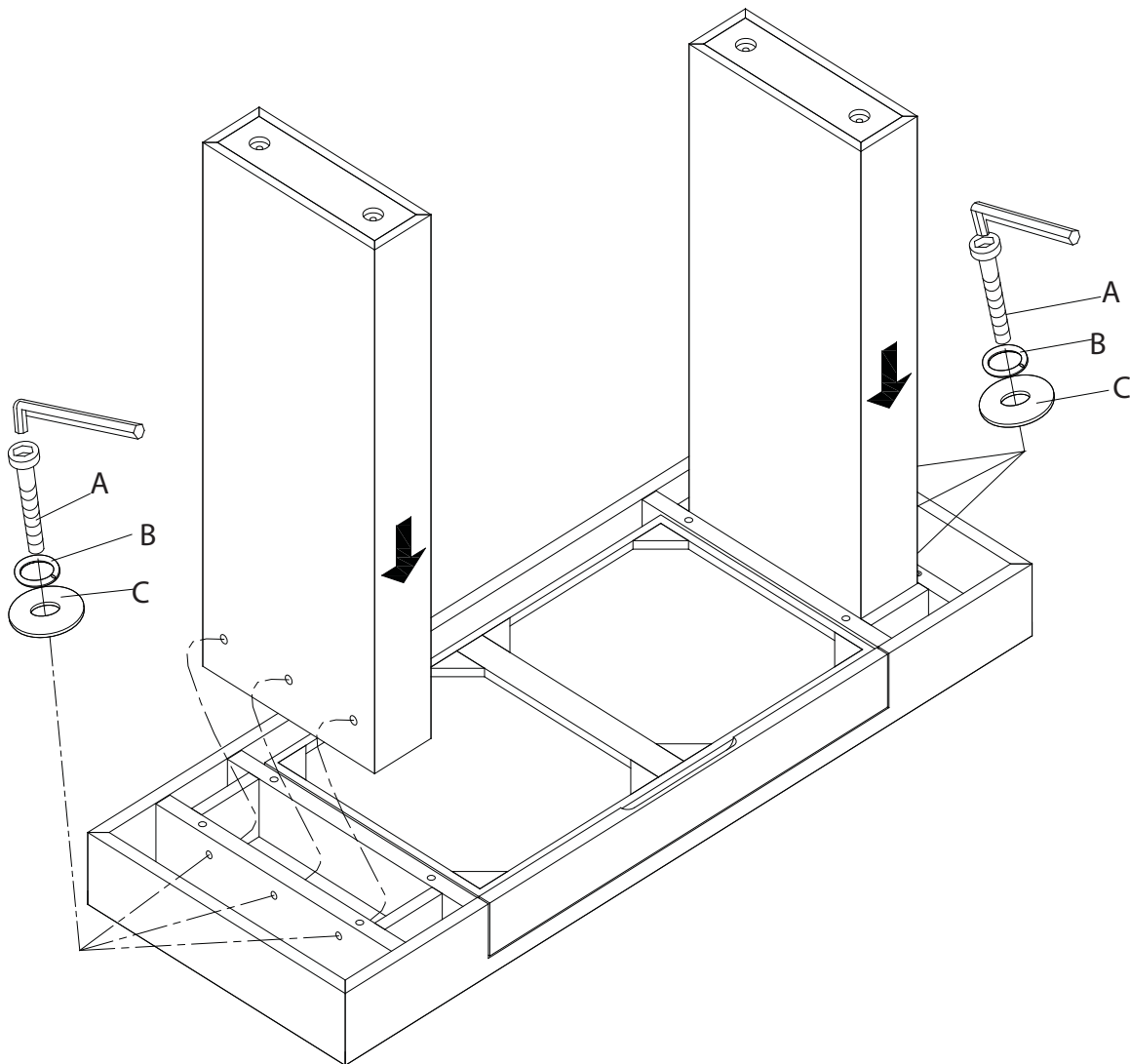
! Assemble this item on a soft surface, such as cardboard or carpet, to protect finish.

! Proper assembly of this item requires 2 people.

## Hardware



1. Place the console top upside down on a soft, clean carpeted surface. Align leg panels with top. Insert lock washer (B), flat washer (C), and bolt (A) thru holes in top into legs. Check to see if the legs are aligned. Tighten all bolts. With help flip desk upright. Use adjustable levelers where needed.



#### CARE INSTRUCTIONS

Hardware may loosen overtime. Periodically check that all connections are tight.

Wipe with a soft, dry cloth. To protect finish, avoid the use of chemicals and household cleaners.