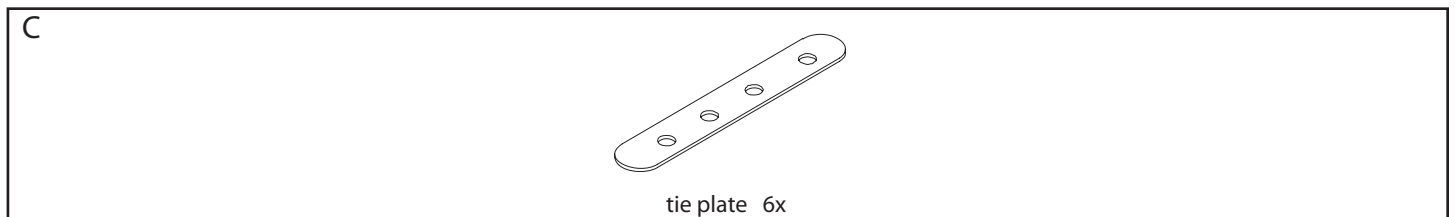
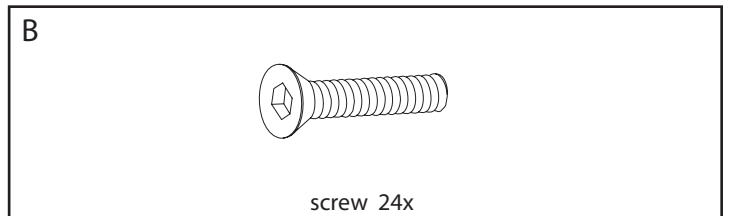
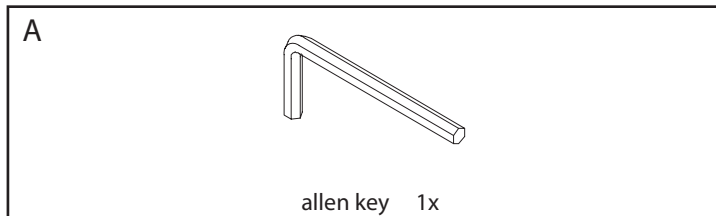


! Tools required: 

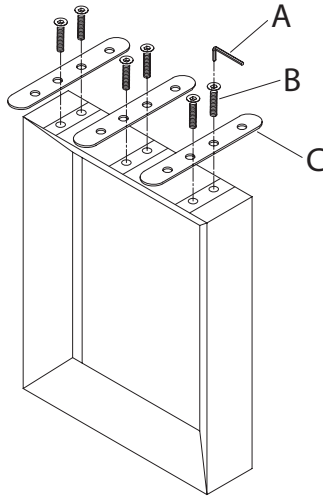
! Do not throw away packaging materials until assembly is complete.

! Assemble this item on a soft surface, such as cardboard or carpet, to protect finish.

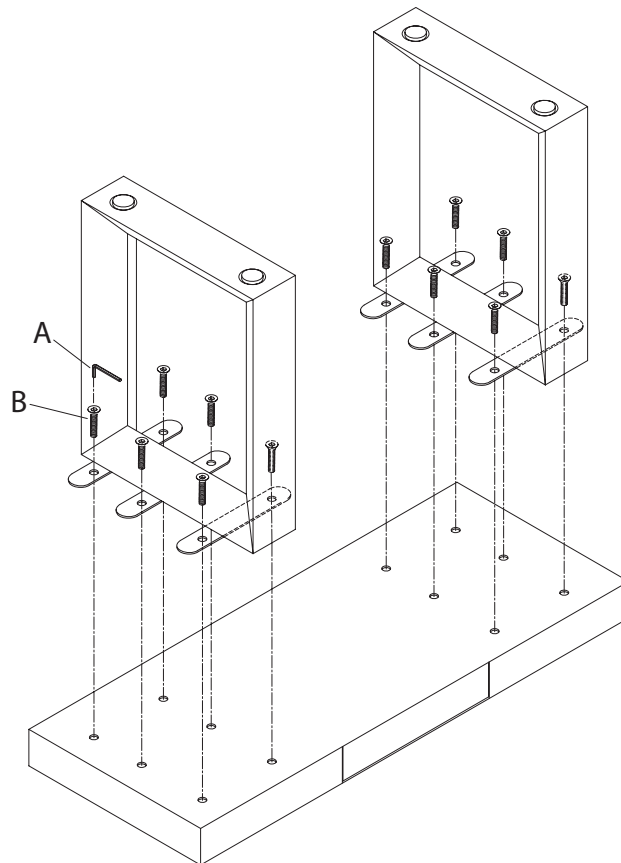
! Proper assembly of this item requires 2 people.



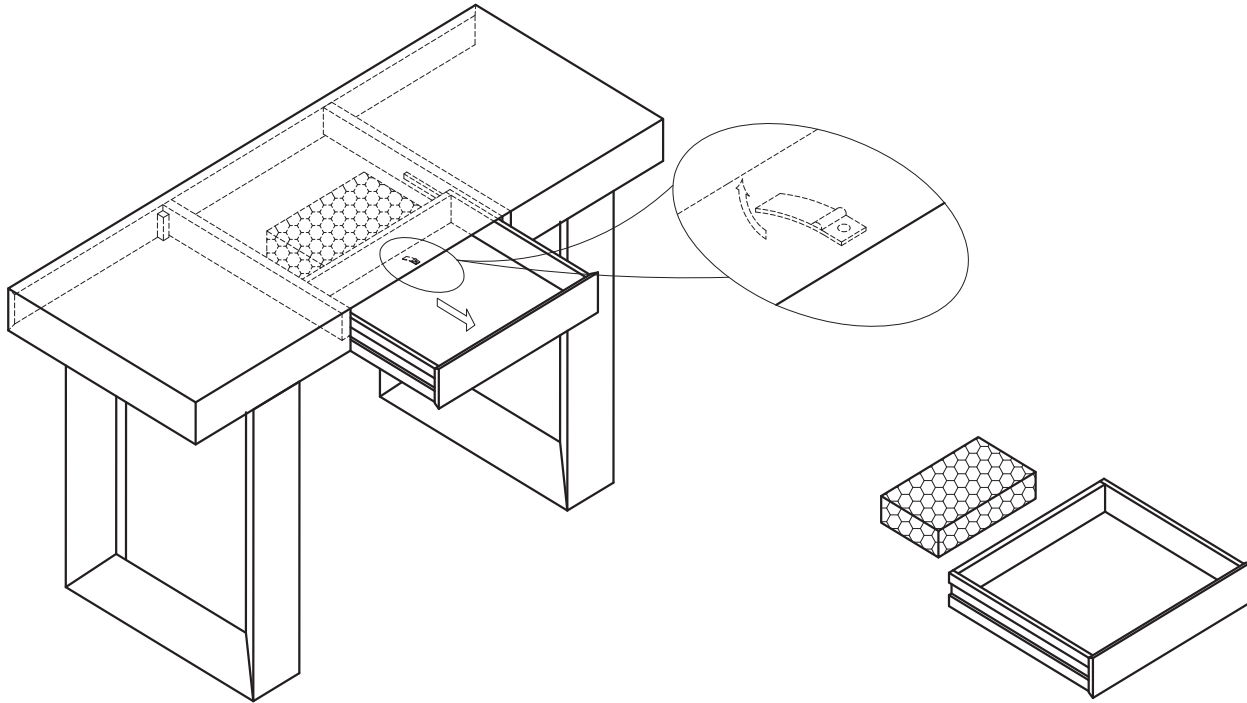
1. Fasten tie plates (C) to legs using screws (B). Tighten screws using allen key (C).



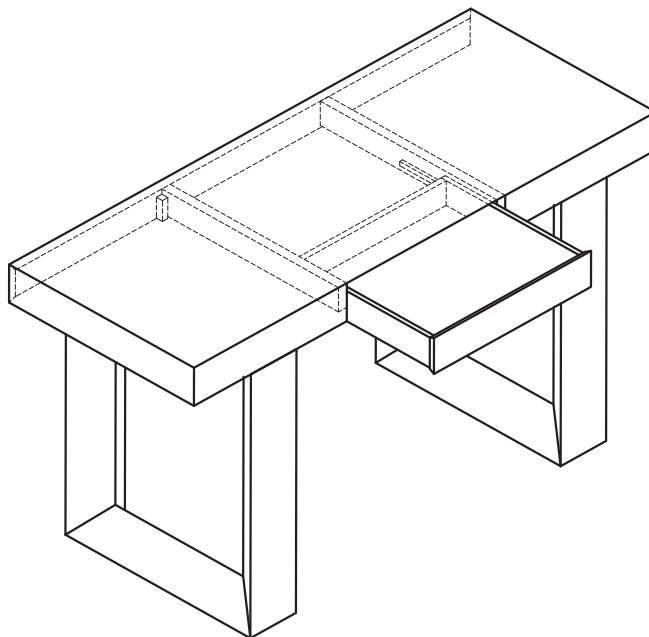
2. Fasten legs to top using screws (B). Tighten screws using allen key (C).



3. Reach inside drawer and push drawer stop up and remove drawer completely. Remove packaging material from behind drawer.



4. Re-insert drawer.



CARE INSTRUCTIONS

Hardware may loosen over time. Periodically check that all connections are tight.

Wipe with a soft, dry cloth. To protect finish, avoid the use of chemicals and household cleaners.