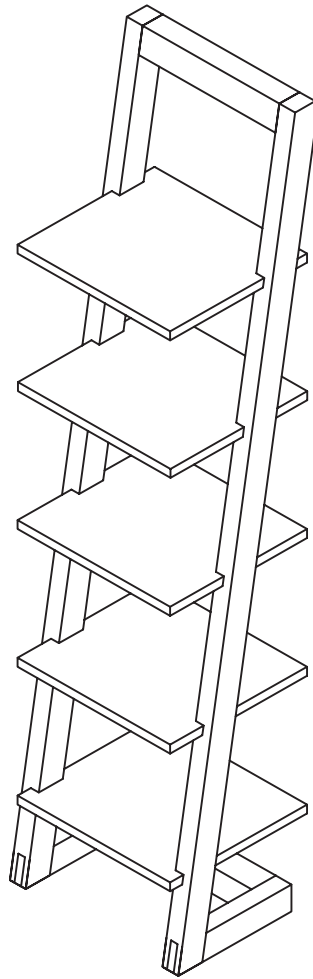
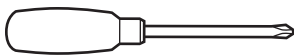


west elm

apex tower
assembly instructions



! Tools required:


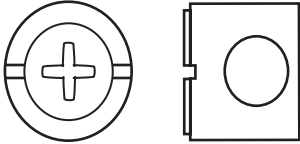
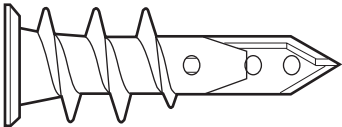
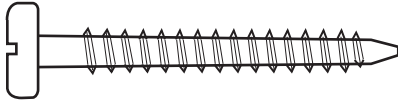


! Do not throw away packaging materials until assembly is complete.

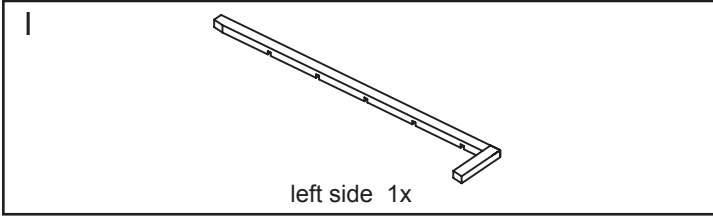
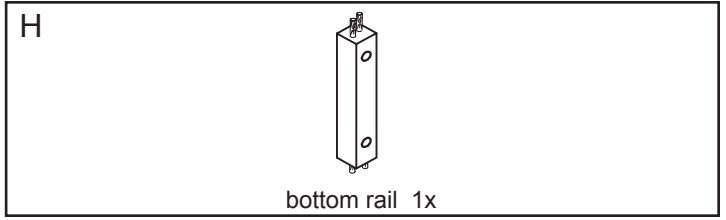
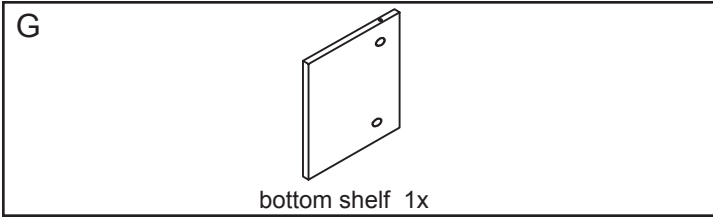
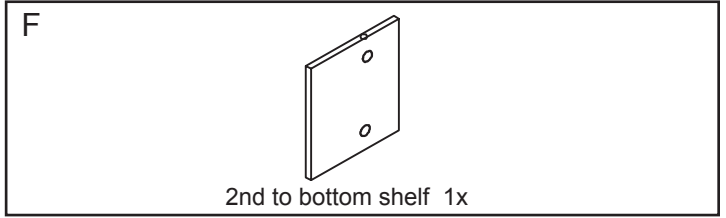
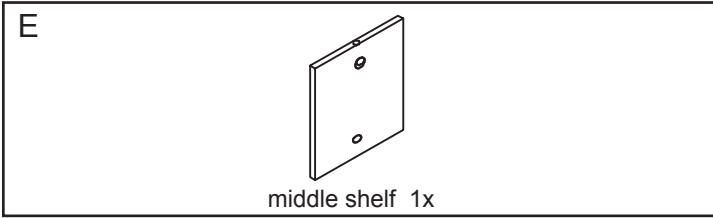
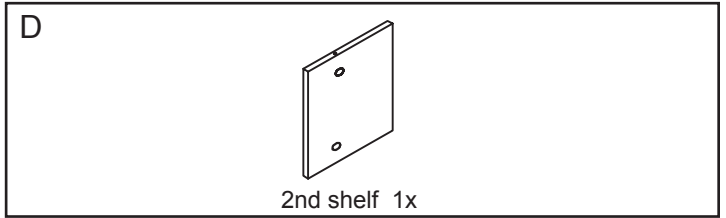
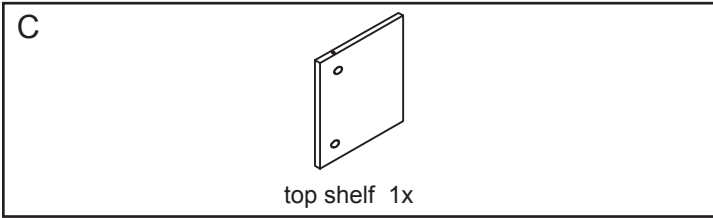
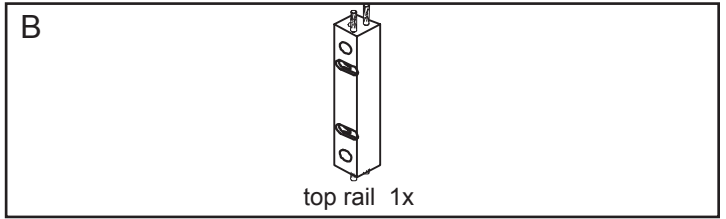
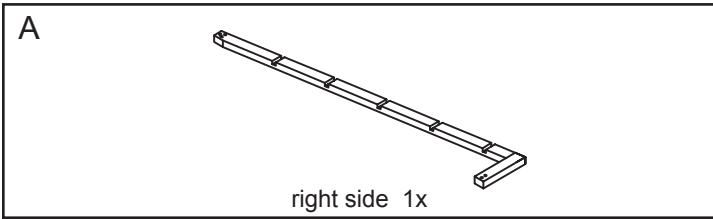
! Assemble this item on a soft surface, such as cardboard or carpet, to protect finish.

! Proper assembly of this item requires 2 people.

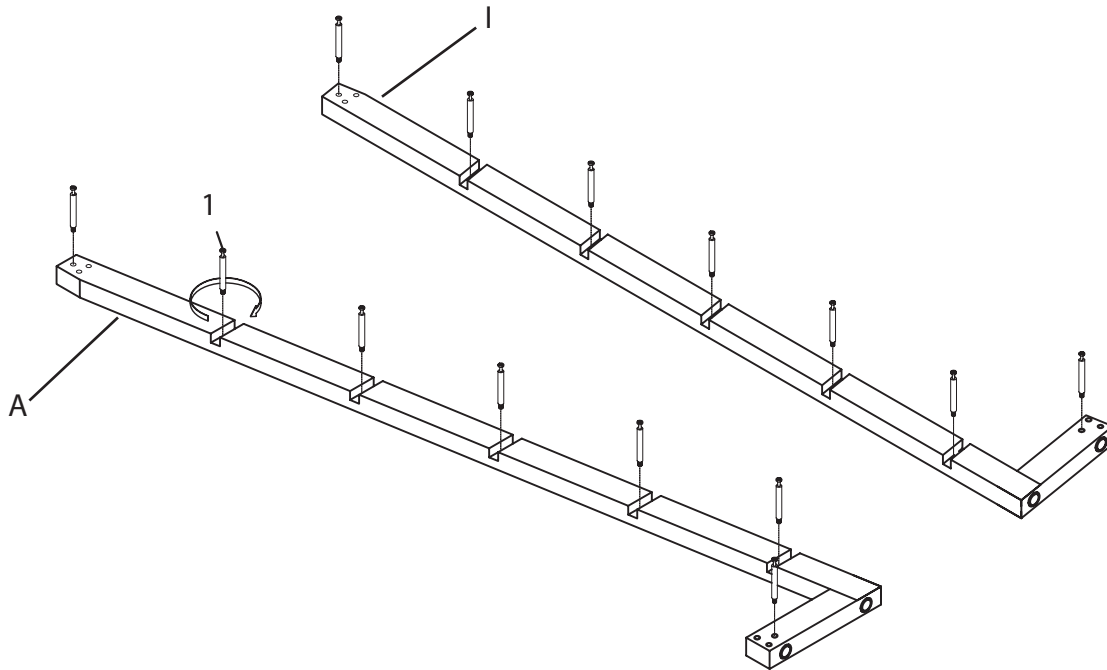
Hardware

<p>1</p>  <p>cam bolts 14x</p>	<p>2</p>  <p>cam locks 14x</p>
<p>3</p>  <p>wall anchors 2x</p>	<p>4</p>  <p>screws 2x</p>

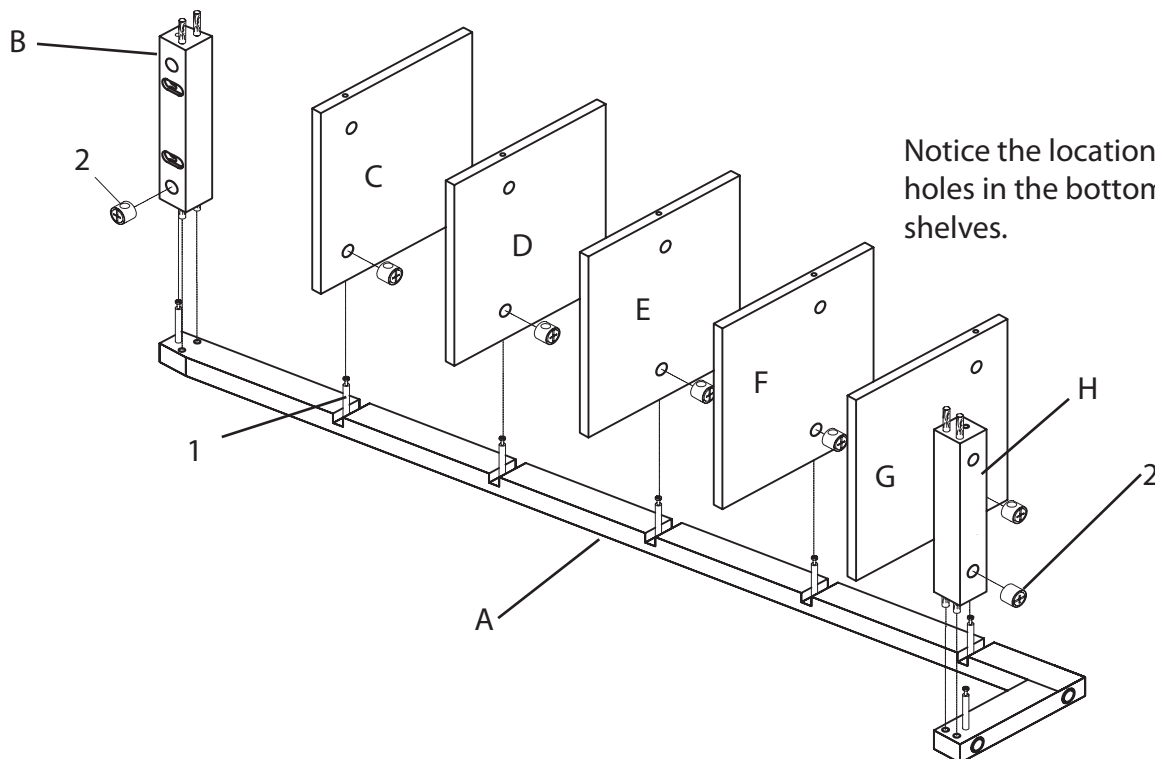
Parts



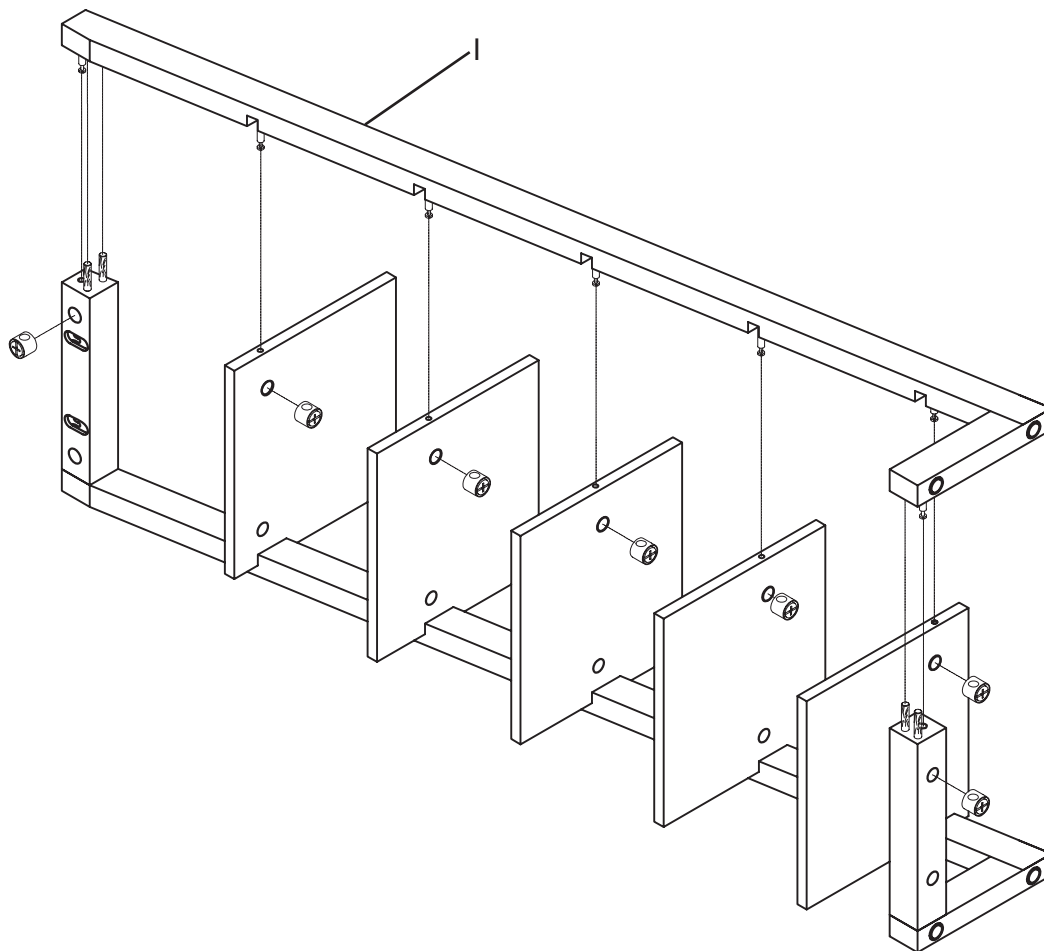
1. Lay both side rails (A) & (I) on a clean smooth surface such a carpet or cardboard. Insert cam bolts (1) into the holes shown in the drawing.



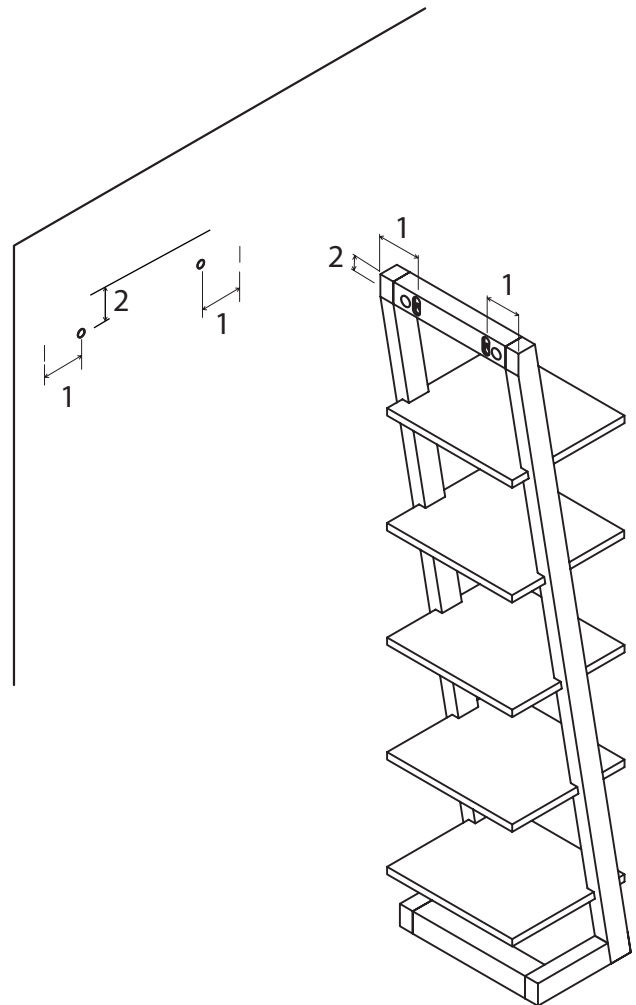
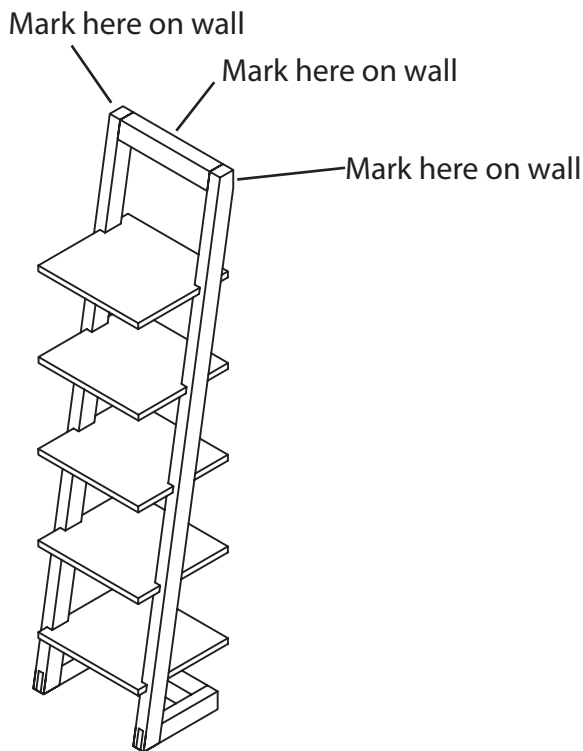
2. Layout shelves in the order that the drawing shows. Insert cam lock (2) into bottom of shelves as the drawing shows. Align holes in side of shelves with the cam bolts (1). Align top and bottom rails with the holes in the side rails. Press together firmly. Once installed you must turn the cam lock clockwise with a phillips head screwdriver to tighten.



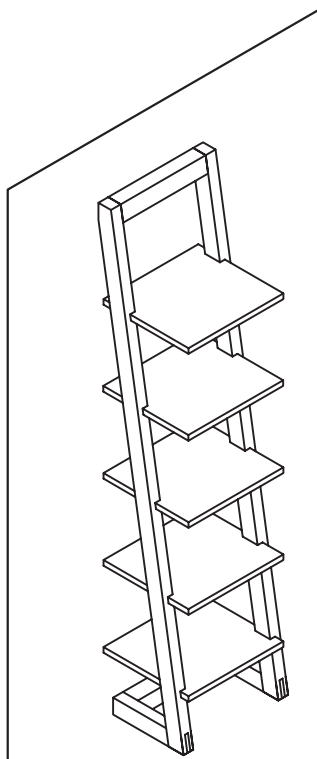
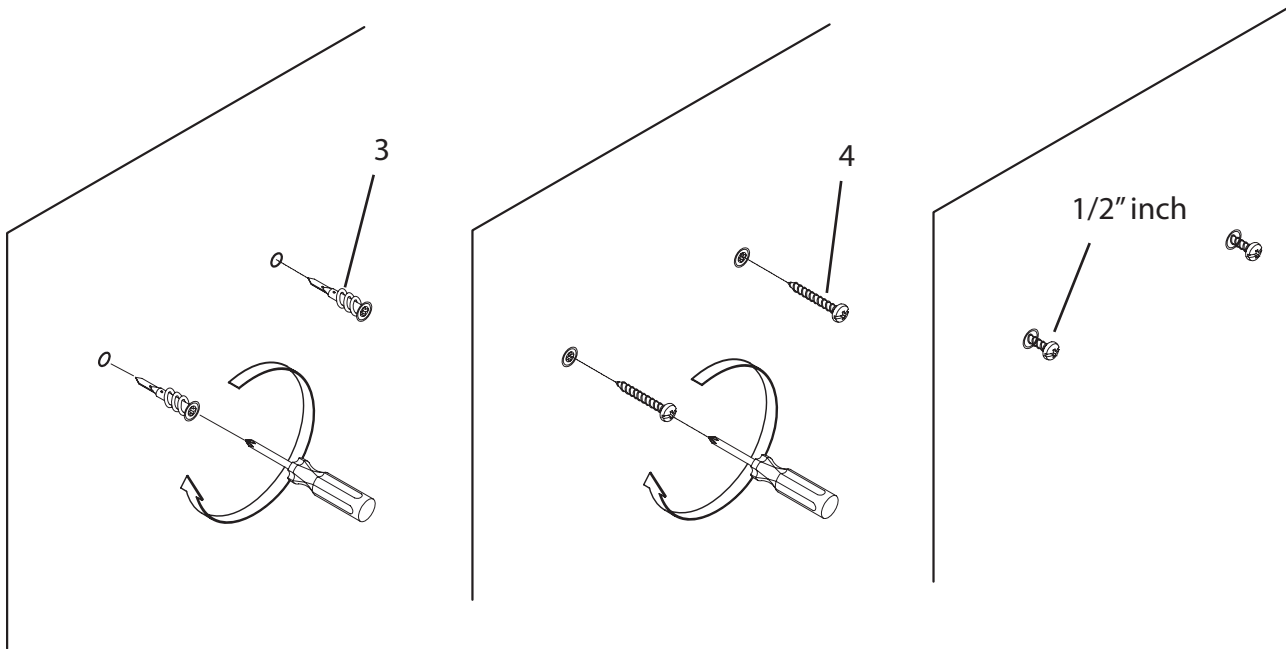
3. Install the other side rail. Insert cam locks (2) into the holes shown in the drawing. Press the side rail firmly down against the shelves and rails. Tighten all cam locks (2) with phillips head screwdriver.



4. Once you have decided where to put your apex tower you must install the hanging hardware. Set the tower into final position against the wall. Make sure it is level and sitting flush on the floor. Make a small mark at the top and the sides of the top. You will have to measure from these marks. Move the tower unit. Measure the distance from the end of the side rail to the center of the hole. Now measure over from your mark the same distance. Make another mark. Measure down from the top of the top rail to the center of the same hole. Now measure down from the top mark this distance and make a cross mark over the 1st mark. Repeat on the other side.



5. Once you have double checked your measurements you will need to screw a wall anchor (3) into the center of both marks. Screw clockwise until the anchor is flush with the wall surface. Next insert a screw (4) and tighten until about 1/2" sticks out of the wall. Place tower back into position aligning screws with the holes in the back of the top rail. Left and press tower onto screws. Slide down to lock onto screws. Note: If ladder is not tight against wall, you may have to remove ladder and adjust screws .



Adjustable levelers are installed in the legs to accommodate uneven flooring. To adjust these levelers, simply turn them counterclockwise to raise the leg.

CARE INSTRUCTIONS

Hardware may loosen overtime. Periodically check that all connections are tight.

Wipe with a soft, dry cloth. To protect finish, avoid the use of chemicals and household cleaners.